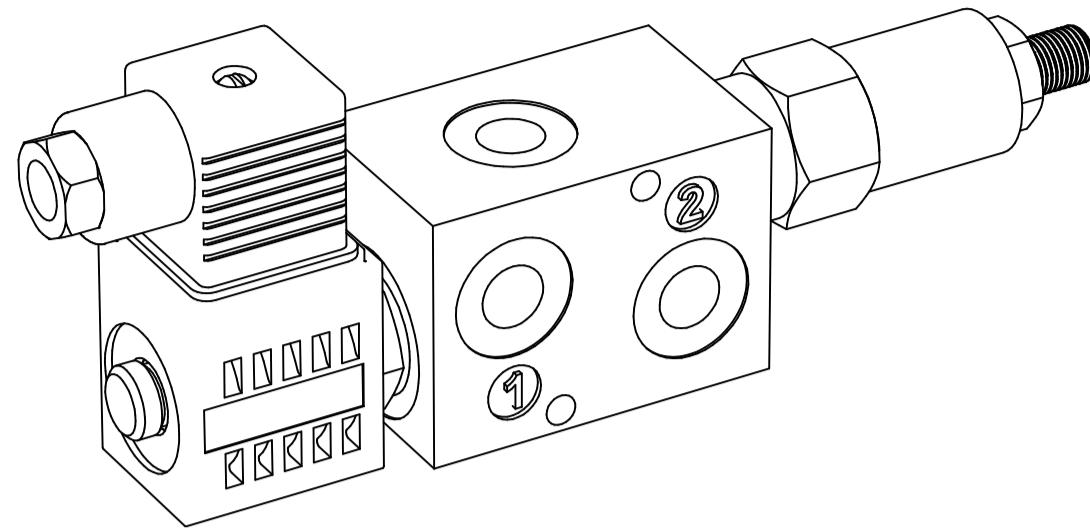
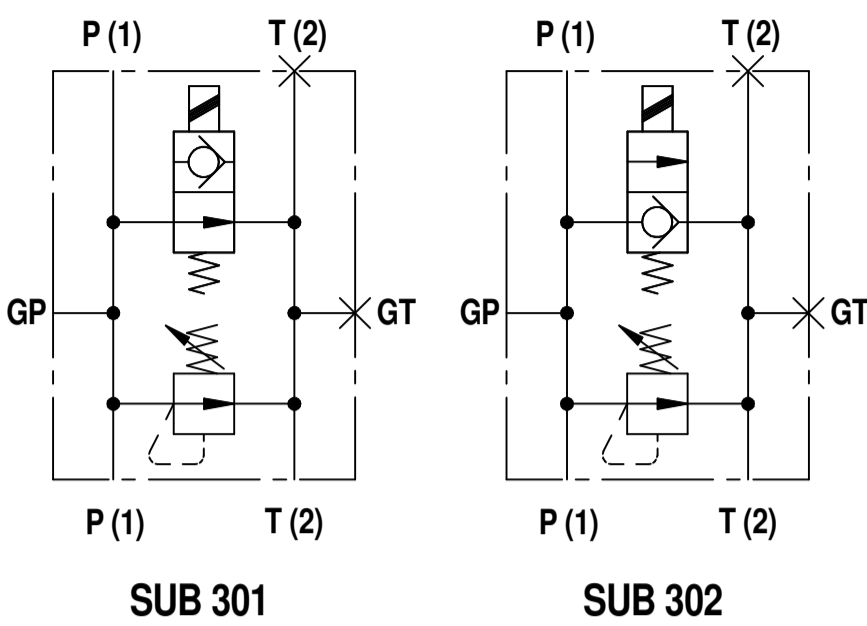




FLUID POWER SYMBOL



APPLICATION

A compact hydraulic integrated system for use in circuits which require pump unloading and relief protection for unloading and dumping system flow to tank. The solenoid valve unloads the pump to the tank (either normally loaded or normally unloaded) while the relief valve maintains pressure in the system.

OPERATION

The valve consists of a relief cartridge and a two-way normally closed or normally open solenoid. The relief valve maintains system pressure while the solenoid unloads the pump to tank.

FEATURES

Compact and lightweight HIC with cartridge style valves. Easy for piping and servicing with fewer leakage points and low pressure drop. Conveniently located ports with multiple face options for Pump, System, Tank and Gauge connections.

General Specifications

Description	hydraulic integrated circuit	
Nominal Size	-	
Mounting	2 bolt holes for M5 threaded bolts	
Installation Position	any	
Ambient Temp.	-20°C to +50°C	
Manifold Material	SG Iron	
Weight	SUB30* 3W 20 N **	1.24 kg
	SUB30* 3W 40 N **	1.35 kg

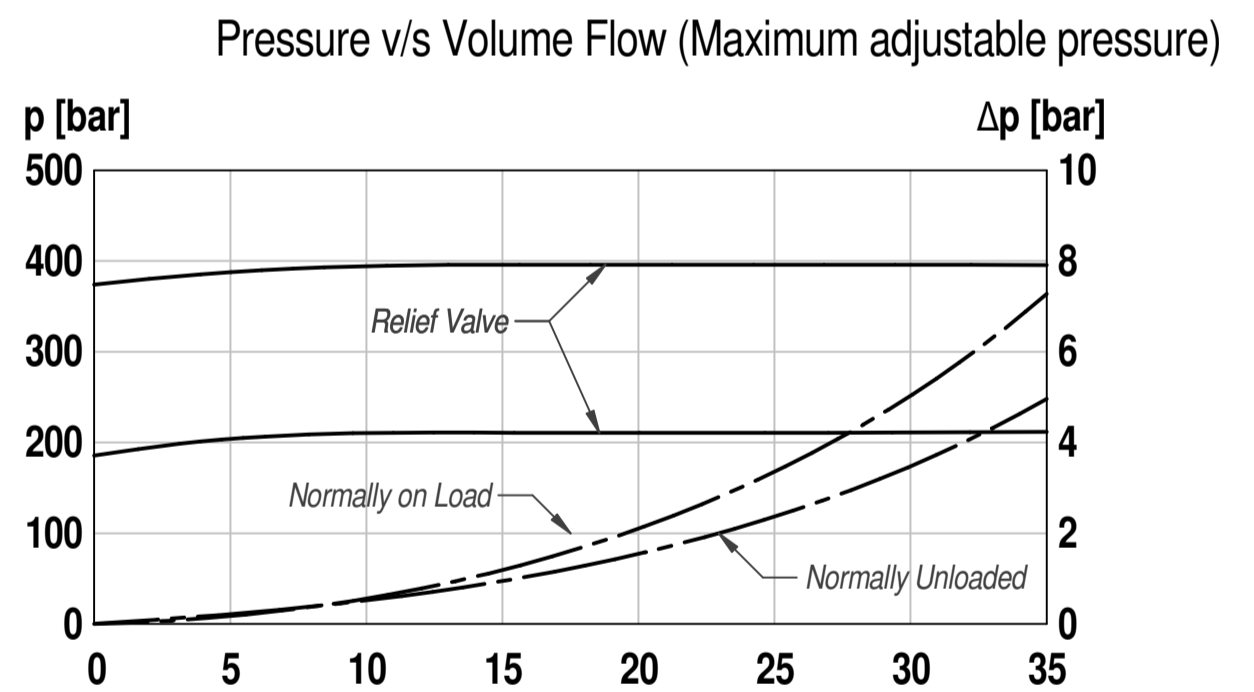
Hydraulic Specifications

Hydraulic Fluid	Mineral oils. Contact sales office for other fluids.
Max. Pressure	350 bar
Rated Flow	35 lpm
Max. Contamination Level	BS5540/4 Class 18/16/13 (25µ nominal)
Viscosity Range	5 to 500 cSt
Leakage Flow	Less than 0.3 ml/min (5 dpm)
Hydraulic Fluid Temp.	-20°C to +90°C (Standard Seals)
Mounting	Line
Peak Pressure	400 bar
Max. Flow	60 lpm

ORDERING CODE

SUB 30 1 2W 40 N 24	
BASIC CODE	SUB 30 - System Unloader Block
SIZE AND TYPE	301 - Size 30, Normally Unloaded 302 - Size 30, Normally On Load
PORT SIZE	2W: 1/4" BSP Ports 3W: 3/8" BSP Ports
	Voltage 24: 24 VDC 230: 230 VAC
	Seal Kit N: Nitrile
	PRESSURE RANGE 20 - Up to 200 bar. Set at 100 bar 40 - Up to 400 bar. Set at 210 bar

CHARACTERISTICS. Figures Based on: Oil Temp = 40°C, Viscosity = 40 cSt



14

DIMENSIONS

BASIC CODE: SUB 30

