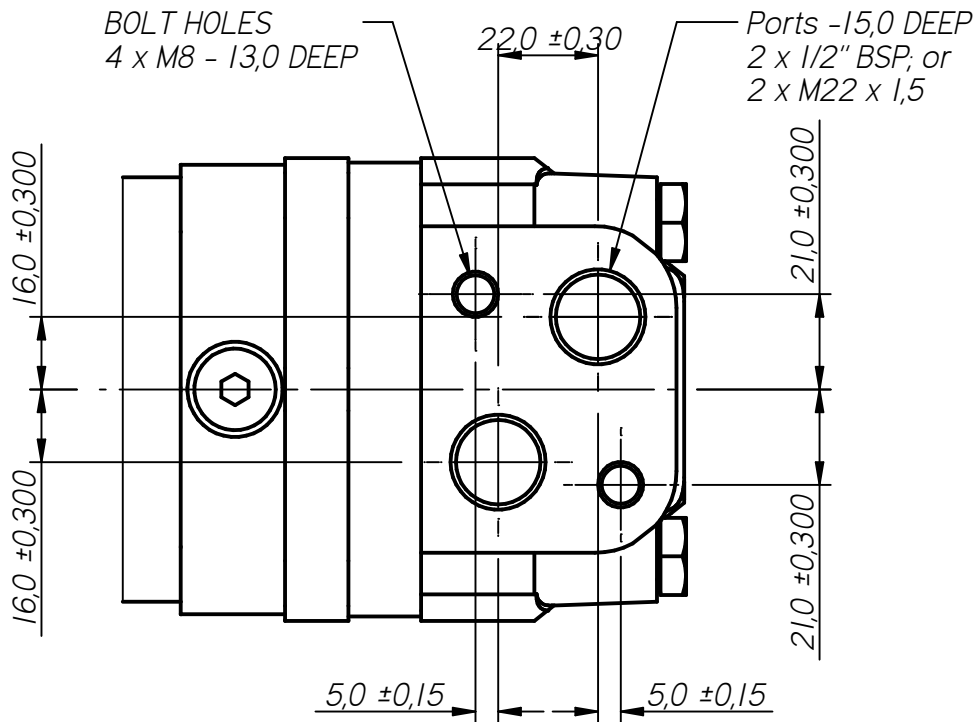


OMS Flange



FORM TOOLS

Form Drill	0.000
Form Reamer	0.000
Thread Tap	0.000

CARTRIDGES

DDROMS
OSI20MS
OSI2SHOMS

DATASHEET

II-110
II-130
II-250

Where measurements are critical request certified drawings. We reserve the right to change specifications without notice.