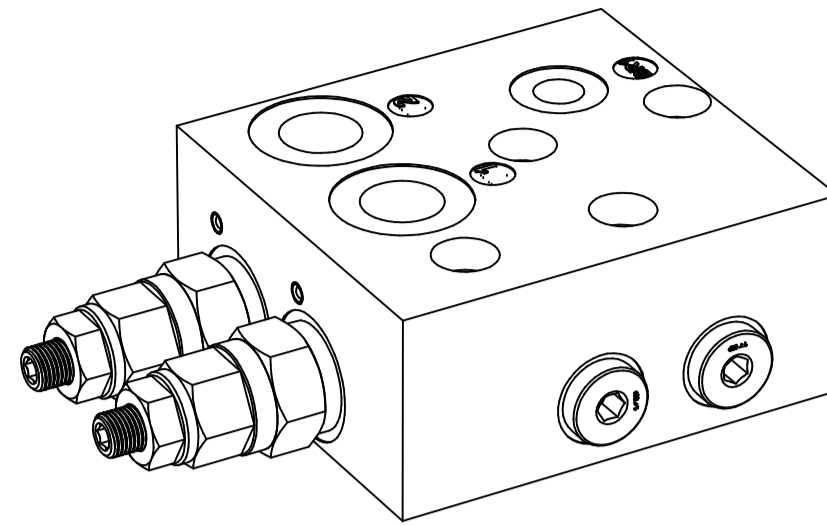
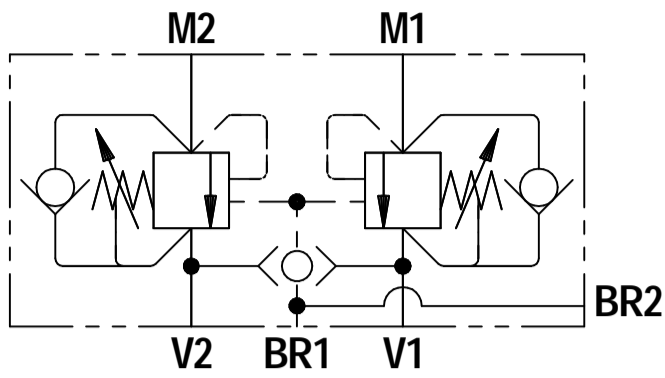




OSI2SHOMP35

Overcentre Valve with Shuttle OMP Mounting

FLUID POWER SYMBOL



APPLICATION

Overcenter valves give static and dynamic control of loads by regulating the flow into and out of hydraulic actuators. The Motor Mounted bodies reduce the need for excessive piping and instead give a clean interface for the Overcentre Valve to be used in conjunction with your motor. The prime sized ports allow for directly connecting the valve bank to the Overcentre valve.

OPERATION

The check section allows free flow into the actuator then holds and locks the load against movement. The pilot assisted relief valve section will give controlled movement when pilot pressure is applied. For optimisation of load control and energy usage, a choice of pilot ratios are available.

FEATURES

The OM Motor interface provides stacking of the valve directly onto the Hydraulic Motor. Mating surfaces are ground and ports with O-rings are spot faced. The valve pressure setting is adjustable by means of an adjusting screw and locknut.

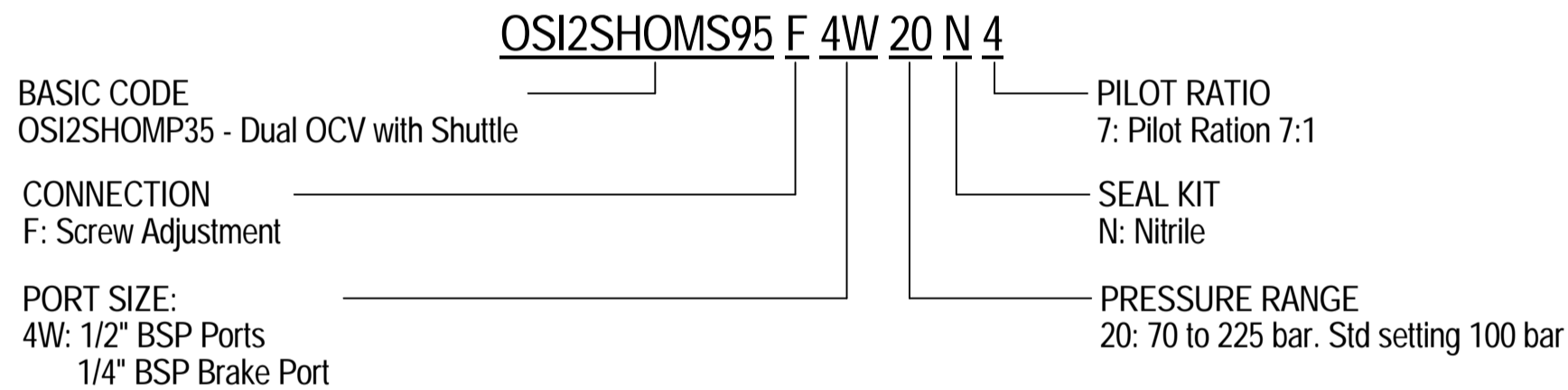
General Specifications

| | |
|-----------------------|--|
| Description | direct acting overcentre valve |
| Construction | Screw-in Cartridge Construction for Cavity |
| Mounting | 4 bolt holes for direct OMP/OMR motor flange |
| Installation Position | any |
| Ambient Temp. | -20°C to +50°C |
| Manifold Material | Aluminium |
| Weight | OSI2SHOMP35 : 1.70 kg |

Hydraulic Specifications

| | |
|--------------------------|--|
| Hydraulic Fluid | Mineral oils. Contact sales office for other fluids. |
| Max. Pressure | 250 bar |
| Rated Flow | 50 lpm |
| Max. Contamination Level | BS5540/4 Class 18/16/13 (25µ nominal) |
| Viscosity Range | 5 to 500 cSt |
| Leakage Flow | Less than 0.3 ml/min (5 dpm) |
| Hydraulic Fluid Temp. | -20°C to +90°C (Standard Seals) |
| Mounting | Line |
| Peak Pressure | 350 bar |
| Max. Flow | 60 lpm |

ORDERING CODE



DIMENSIONS

BASIC CODE: OSI2SHOMP35 F 4W 20 N 7

