

Application

This is a direct acting bi-directional relief valve designed to protect both lines in a circuit from over pressurization by relieving oil to the other line. Ideal for use with motors or directional valves as a emergency relief. The differential area means a fast acting poppet valve. The Motor Mounted bodies reduce the need for excessive piping and instead give a clean interface for the Relief Valve to be used in conjunction with your motor. The prime sized ports allow for directly connecting the valve bank to the motor.

Operation

Pressure acts over one of two direct acting relief valves forcing the poppet back allowing relief flow to the other port. This being a compact cartridge is ideal for mounting on to a motor in a special housing.

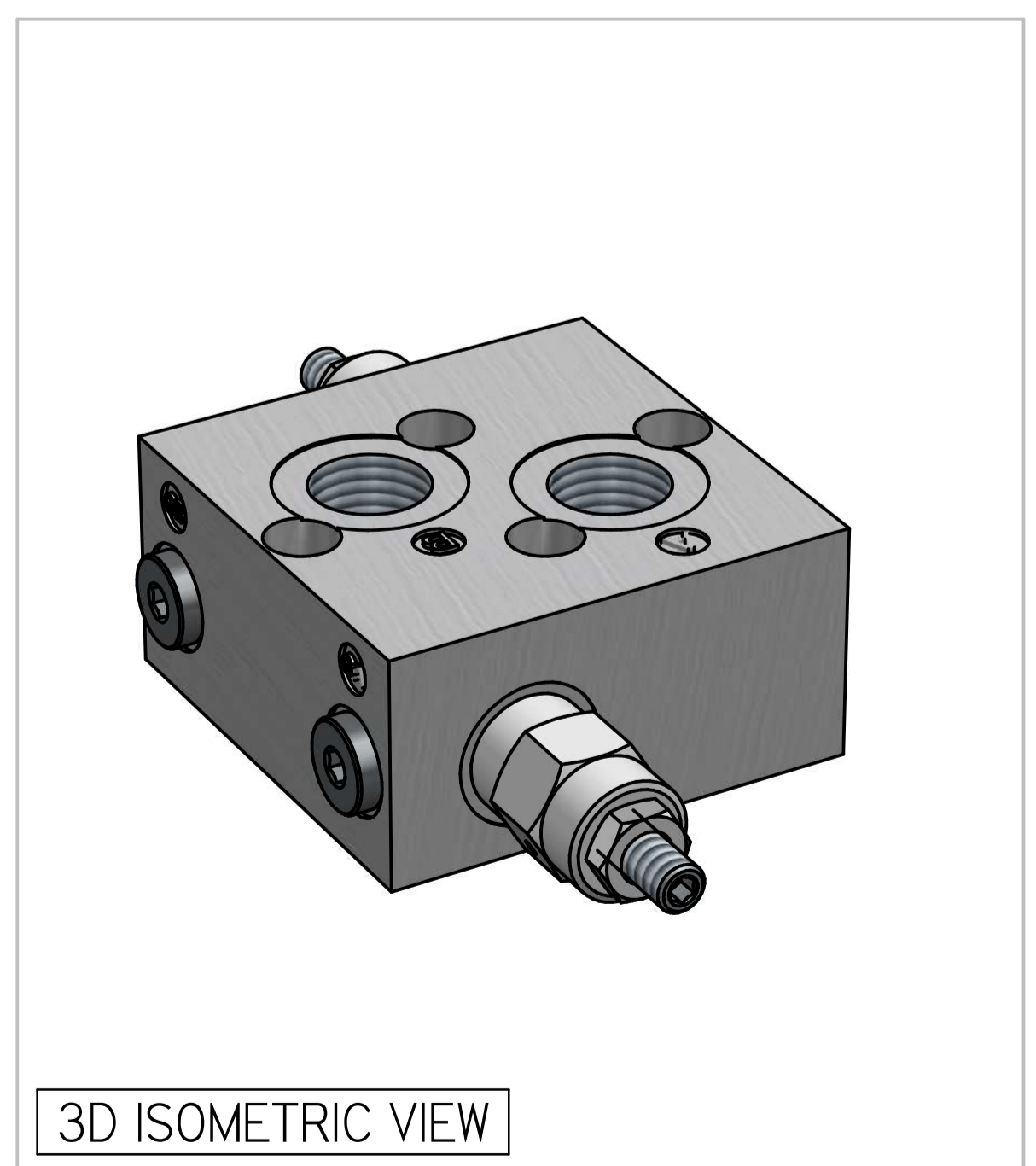
Features

Cartridge relieving in both directions cut down space requirements. A full adjustment through the range on both pressures allow for separate settings for backward and forward rotations..

Specifications

Figures based on: Oil Temp = 40°C Viscosity = 40 cSt

Rated Flow	90 lpm
Max Setting	Load Induced Pressure : 210 bar Relief Setting : 250 bar
Cartridge Material	Working parts : Hardened, ground steel External surfaces : Zinc plated
Weight	OSI20MT90: 1.55 kg
Manifold Material	Aluminium (upto 250 bar)
Mounting	Flanged
Seal Kit Number	SKDDR0MT90 (Nitrile)
Filtration Level	BS5540/4 Class 18/13 (25µ nominal)
Operating Temp	-20°C to +90°C (Standard Seals)
Leakage	Less than 0.3 millilitres/min (5 dpm)
Viscosity Range	5 to 500 cSt



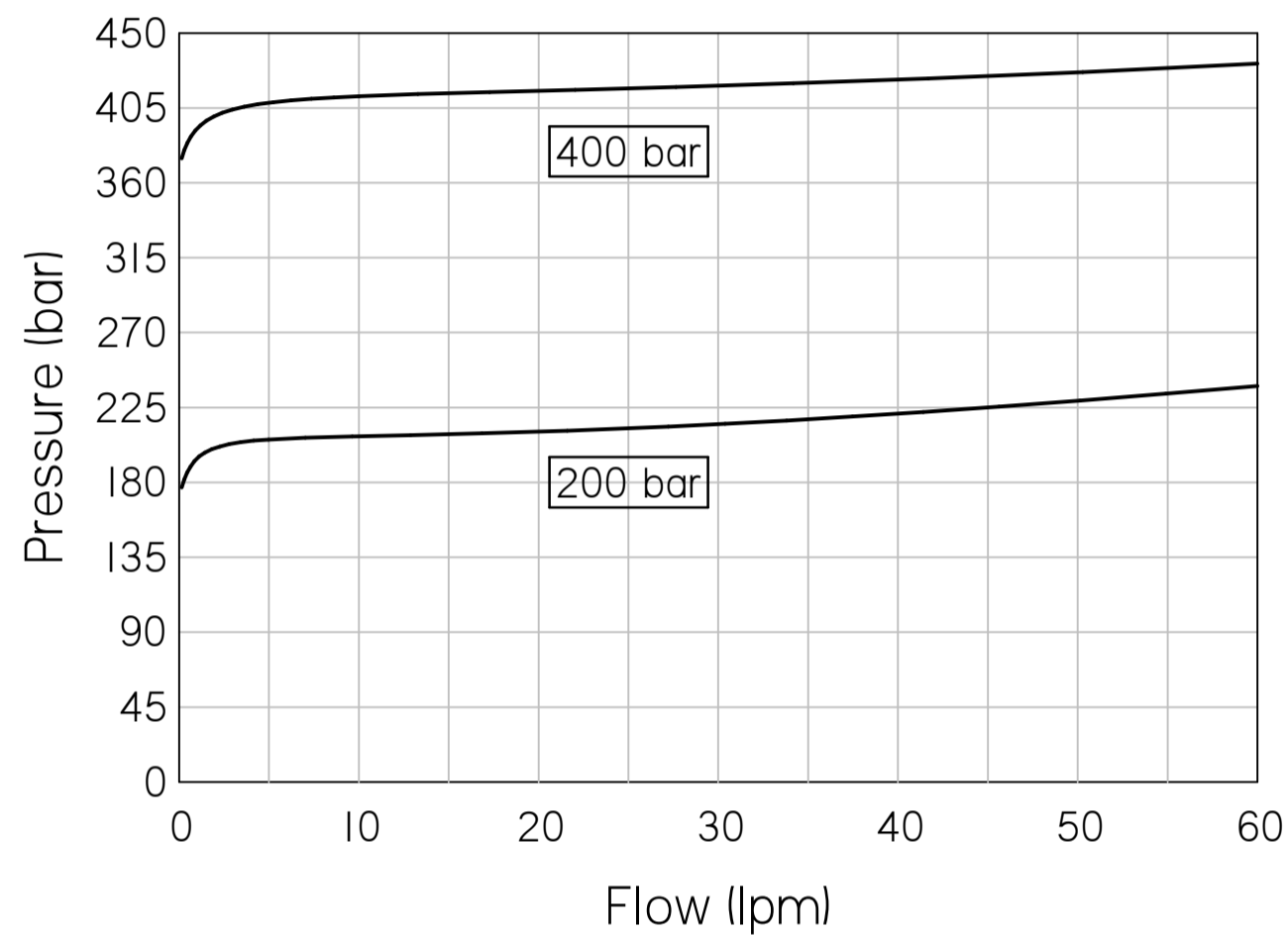
Where measurements are critical request certified drawings. We reserve the right to change specifications without notice.

TO ORDER

DDROMT90 P 6W 20 N

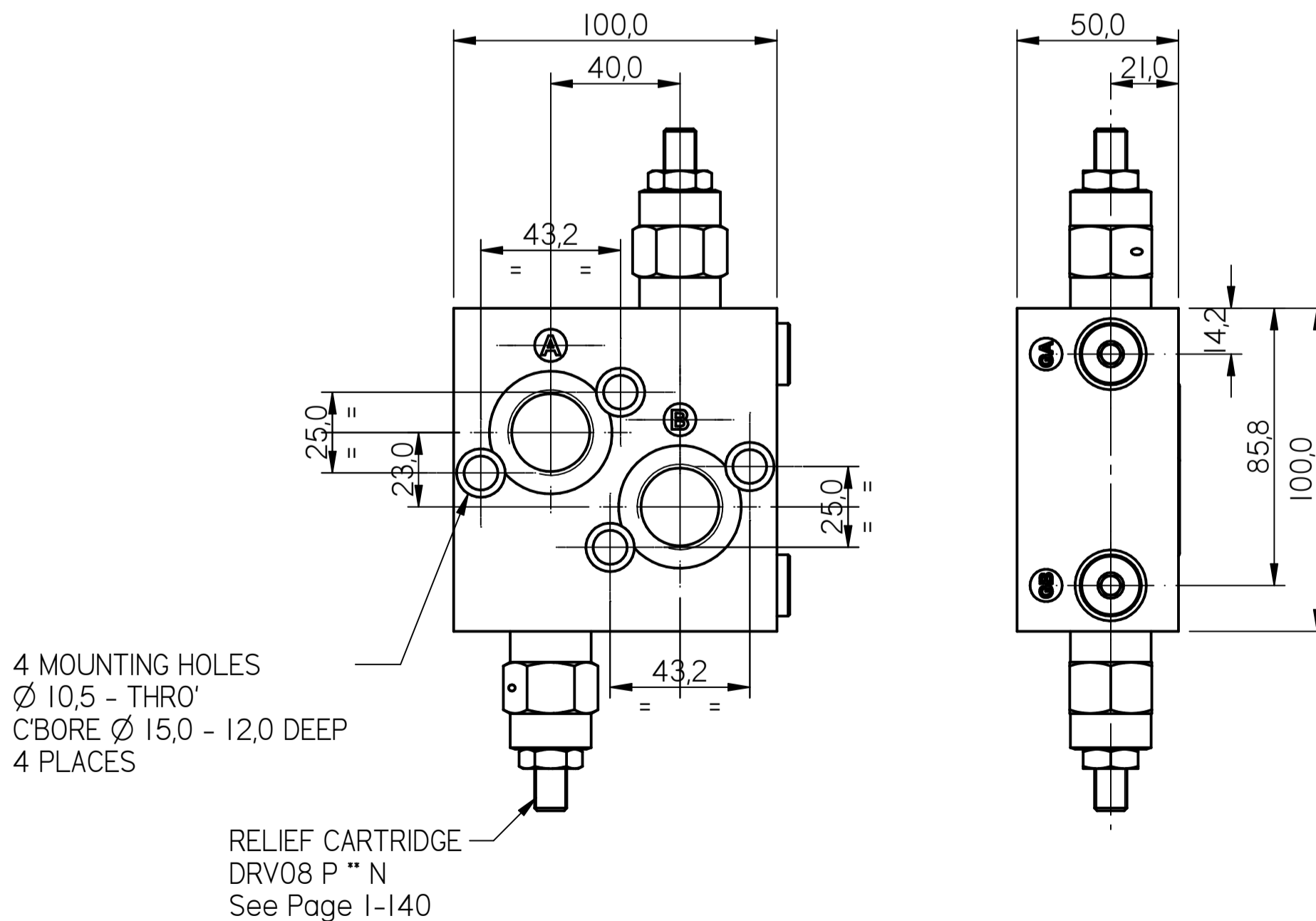
BASIC CODE	DDROMT90	SEAL KIT	N: NITRILE
ADJUSTMENT	P: LEAKPROOF SCREW	PRESSURE RANGE	20: 10 to 250 bar. Std setting 100 bar
PORT SIZE	6W: 3/4 BSP PORTS		40: 40 to 400 bar. Std setting 210 bar

PRESSURE CHARACTERISTICS



COMPLETE VALVE 3/4" BSP PORTS

BASIC CODE: DDROMT90



Where measurements are critical request certified drawings. We reserve the right to change specifications without notice.