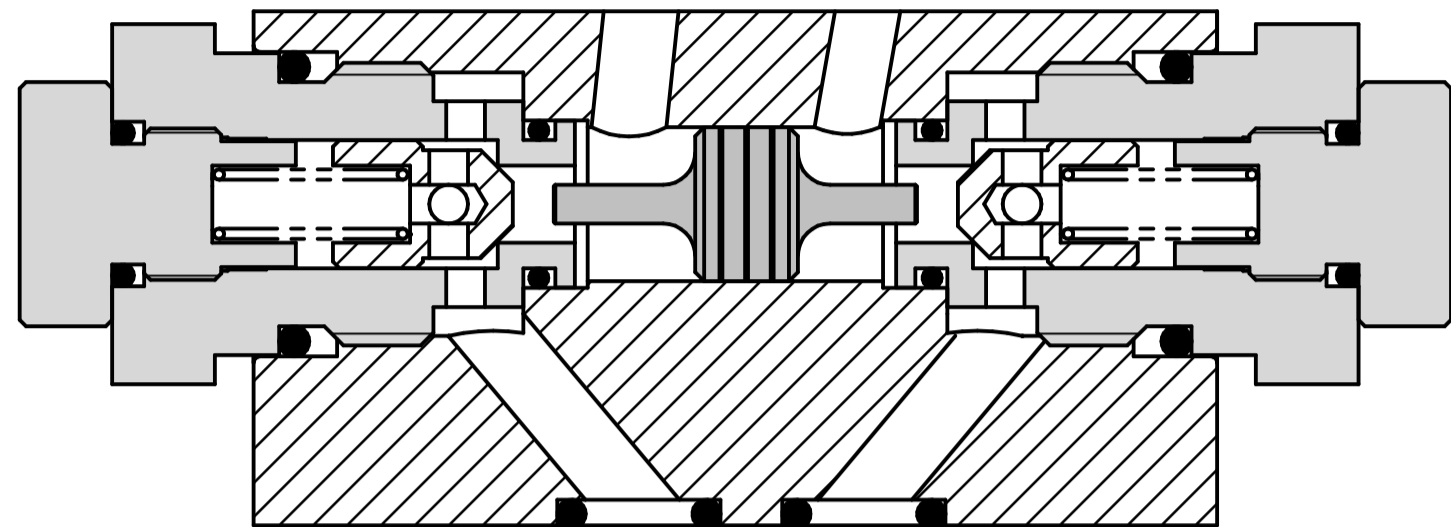
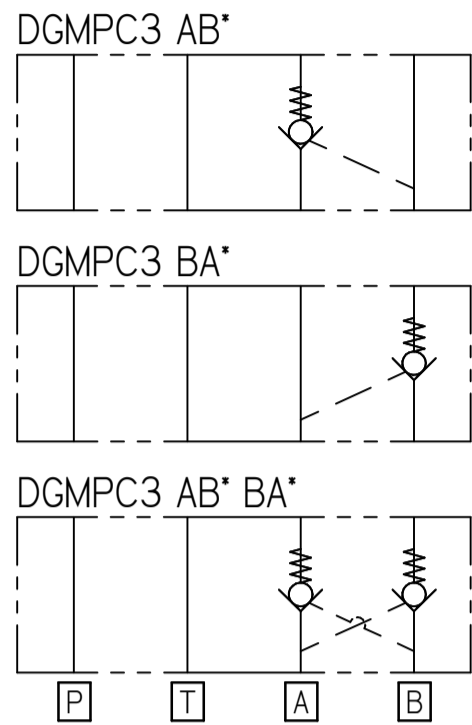


FLUID POWER SYMBOL



Application

The modular or sandwich valve is stacked along with directional valves in CETOP 3 interfaces to provide a dual pilot operated check valve system. The valve can be used to either lock one of two single acting cylinders in place or provide locking of both ends of a double acting cylinder.

Operation

Flow to either of the actuator ports (A or B) allows free flow across the check valve while the poppet opens the opposing check valve to allow return flow. The return flow of one line is blocked unless there is pressure in the opposing line.

Features

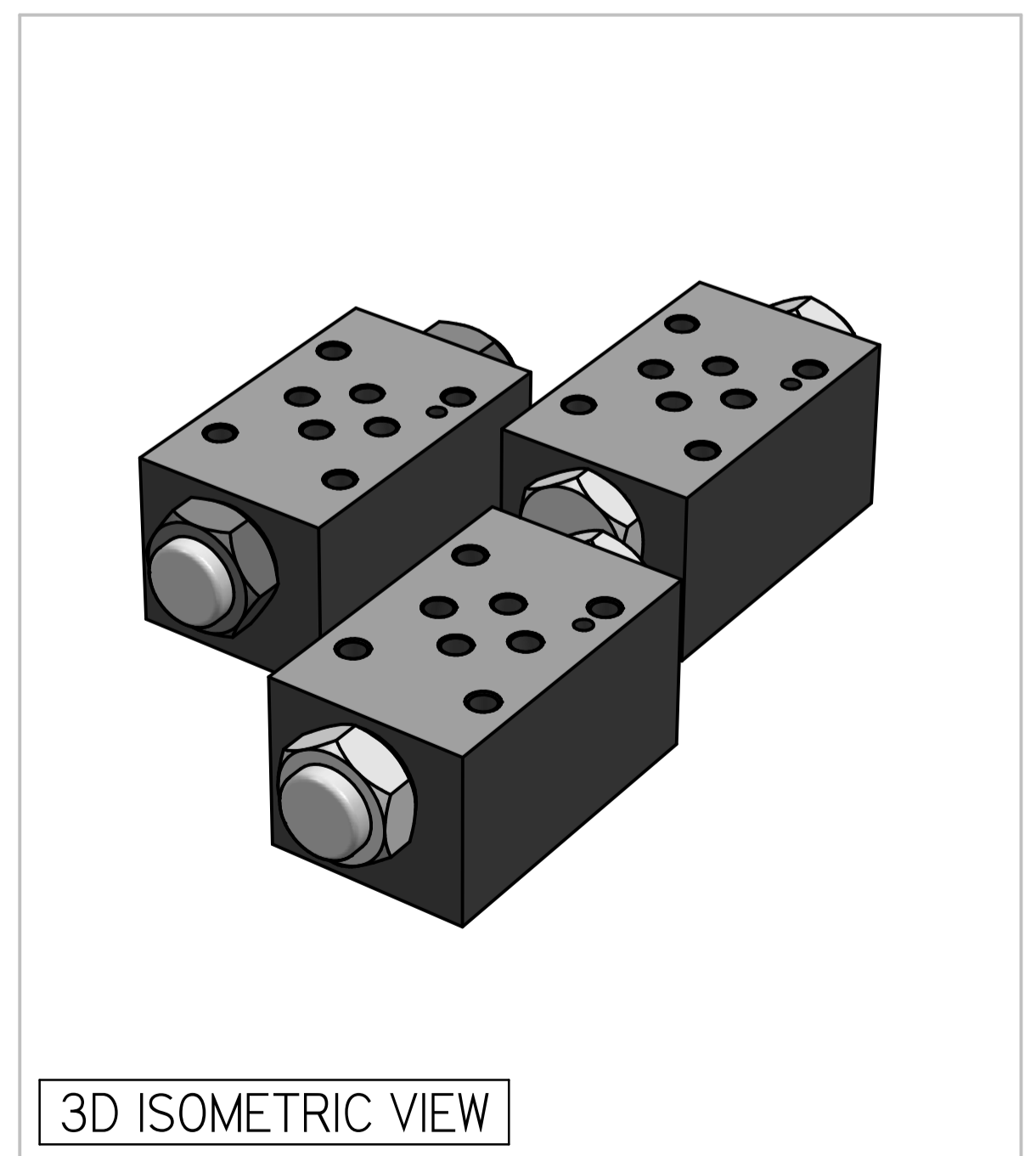
Sandwich construction offers a compact solution. Hardened working parts ensure a long, reliable and trouble-free life. The cartridge construction gives flexibility in servicing.

12

Specifications

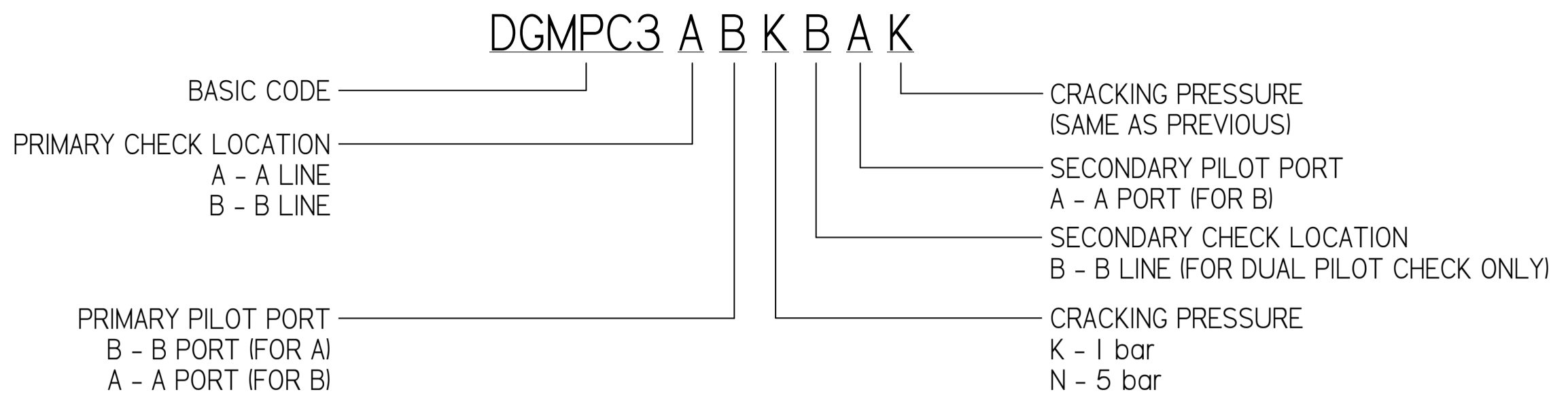
Figures based on: Oil Temp = 40°C Viscosity = 40 cSt

Max Flow	60 lpm
Max Pressure	350 bar
Cartridge Material	Working parts : Hardened, ground steel External surfaces : Zinc plated
Weight	DGMPC3 : 1.12 kgs DGMPC3 AB BA: 1.12 kgs
Manifold Material	SG Iron
Mounting	CETOP3
Seal Kit Number	SKDGMPC3 (Nitrile) SKDGMPC3V (Viton®)
Filtration Level	BS5540/4 Class 18/13 (25µ nominal)
Operating Temp	-20°C to +90°C (Standard Seals)
Leakage	Less than 0.3 millilitres/min (5 dpm)
Viscosity Range	5 to 500 cSt

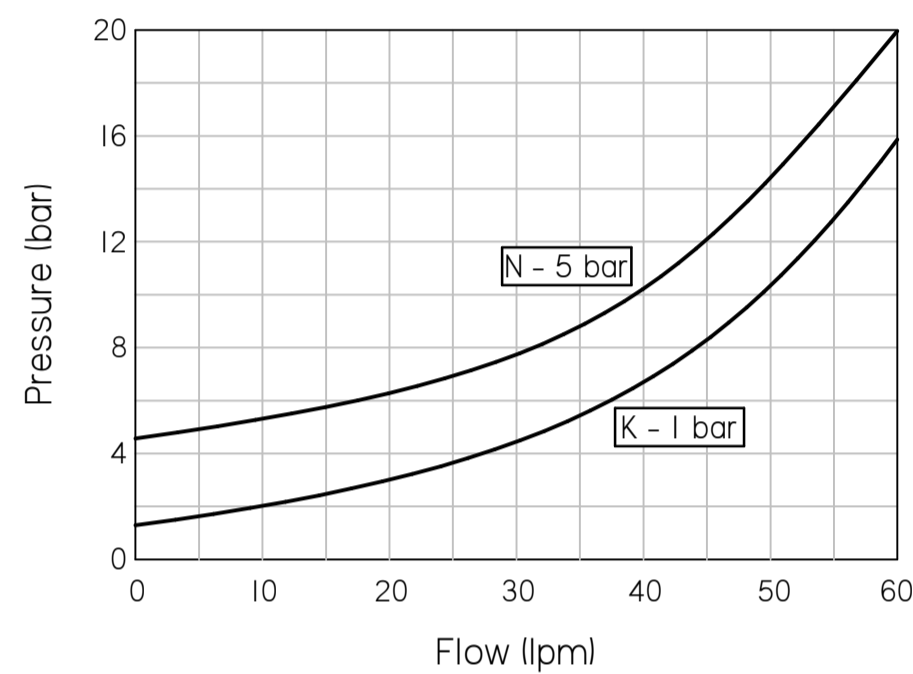


Where measurements are critical request certified drawings. We reserve the right to change specifications without notice.

TO ORDER

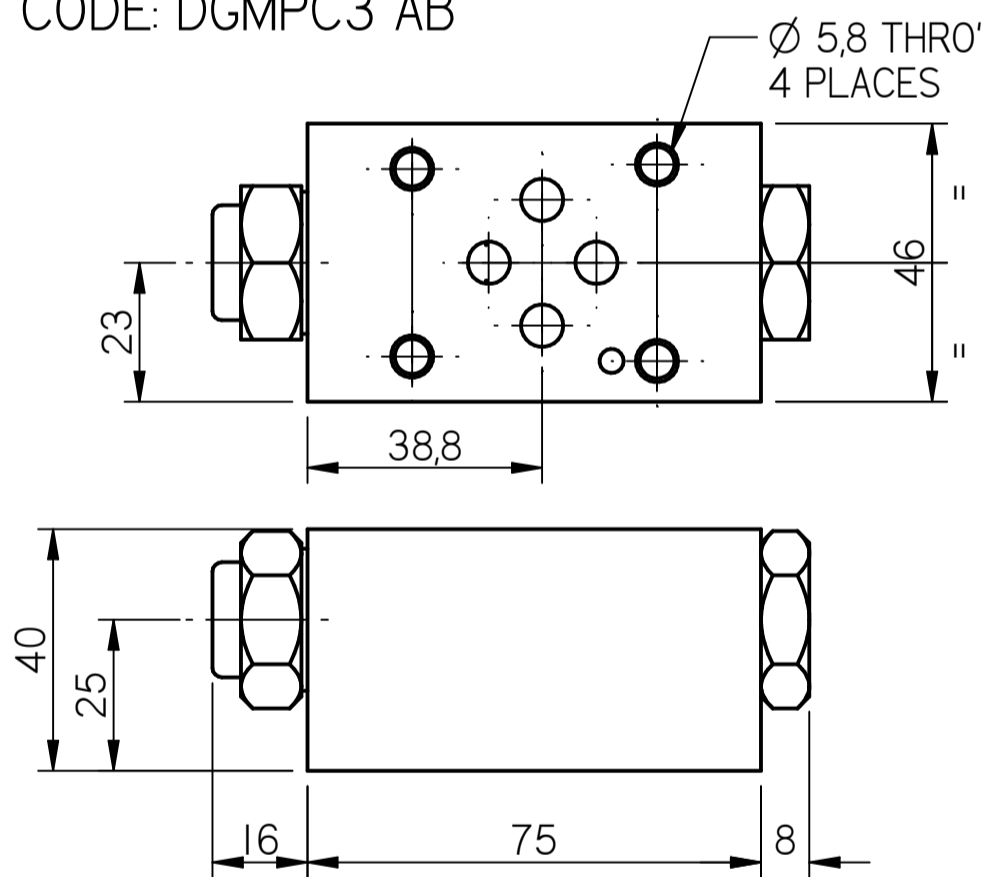


PRESSURE CHARACTERISTICS



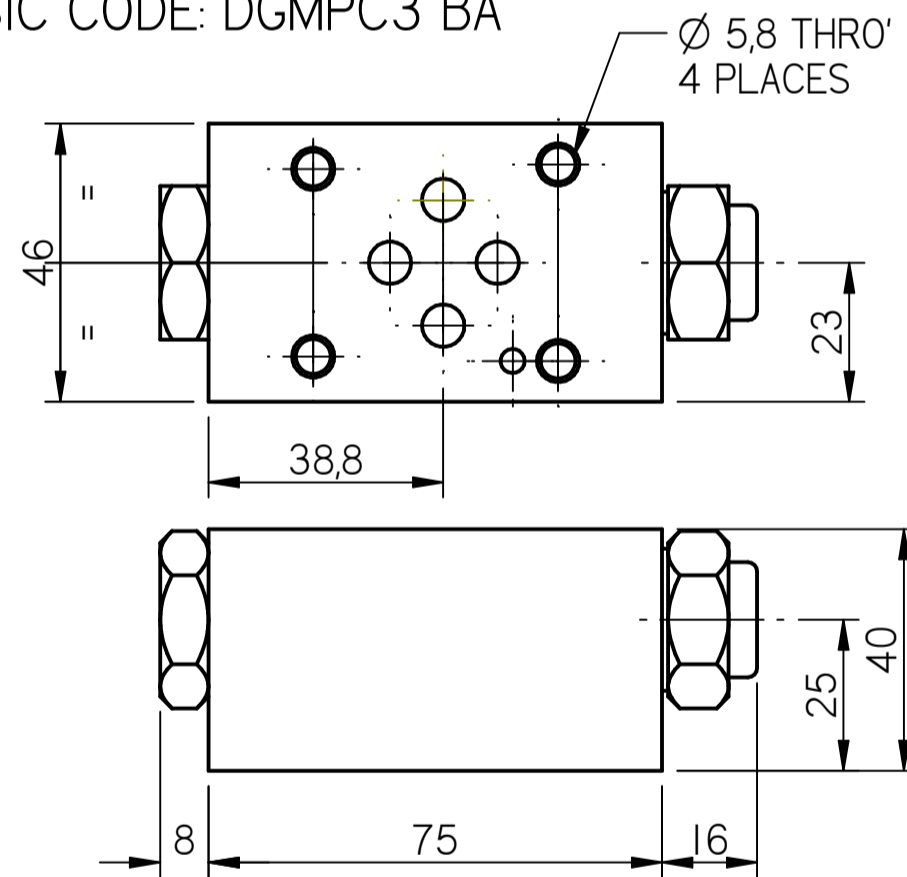
COMPLETE VALVE CETOP3

BASIC CODE: DGMPC3 AB



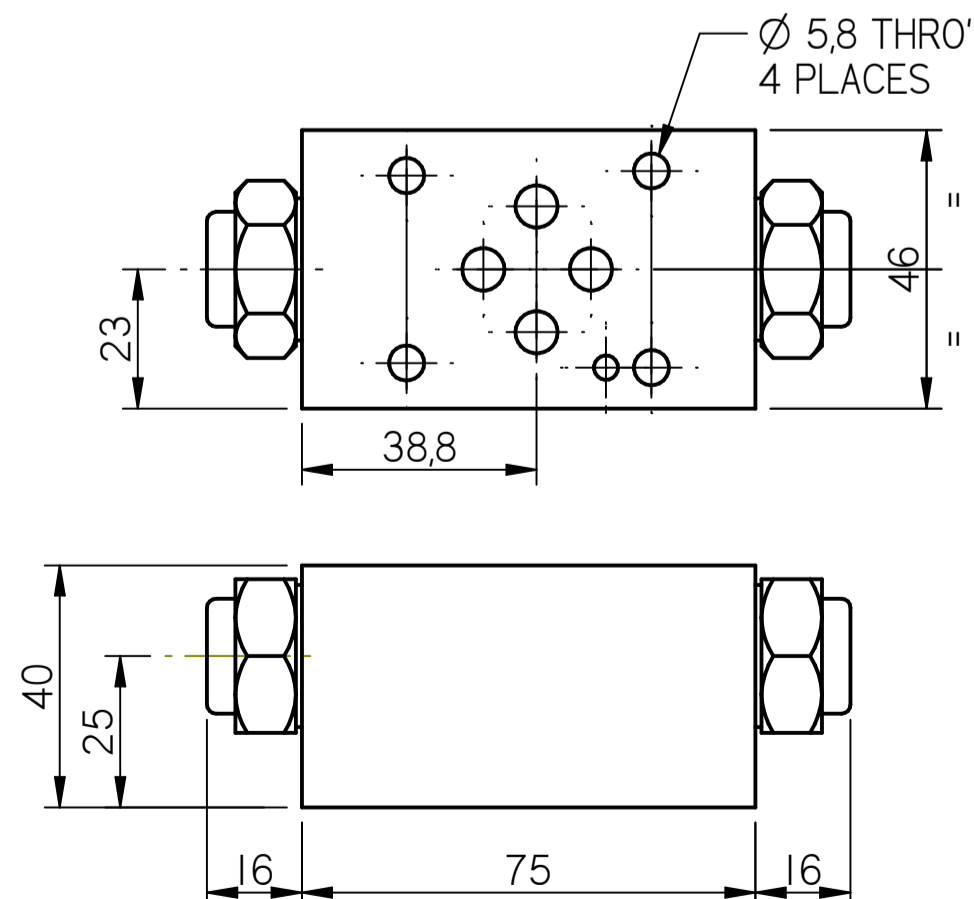
COMPLETE VALVE CETOP3

BASIC CODE: DGMPC3 BA



COMPLETE VALVE CETOP3

BASIC CODE: DGMPC3 AB BA



Where measurements are critical request certified drawings. We reserve the right to change specifications without notice.