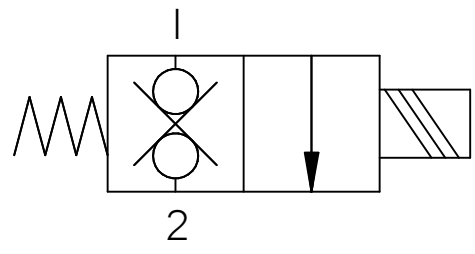


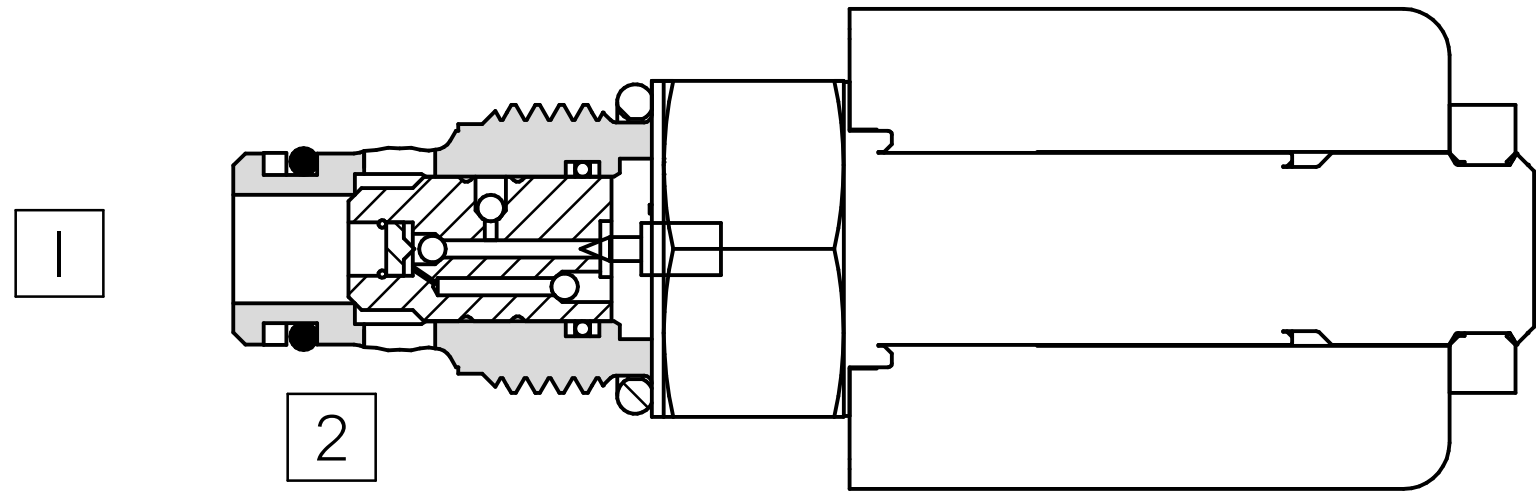
# SP217

# 2-WAY, BIDIRECTIONAL POPPET VALVE (N.C.)

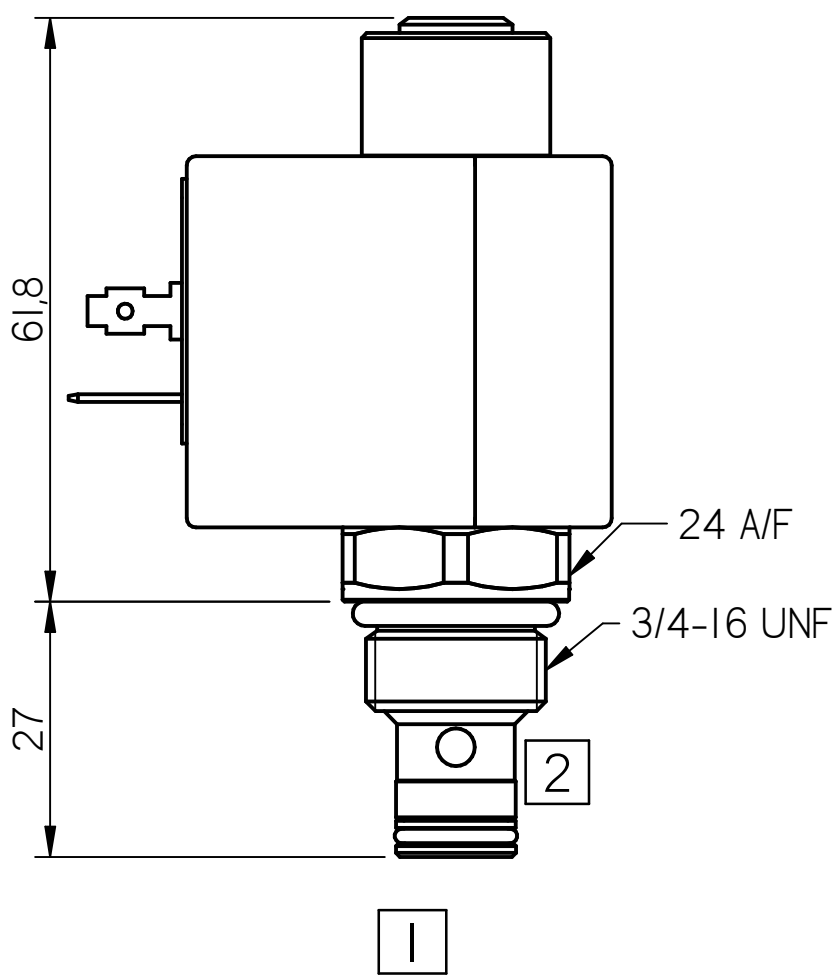
### FLUID POWER SYMBOL



SP217 - N.C.  
(as shown)



9



### Application

Typical usage includes isolating two hydraulic systems, accumulator locking, load holding in cylinders etc.

### Coil Information

Contact Sales office for latest Coil Information datasheet.

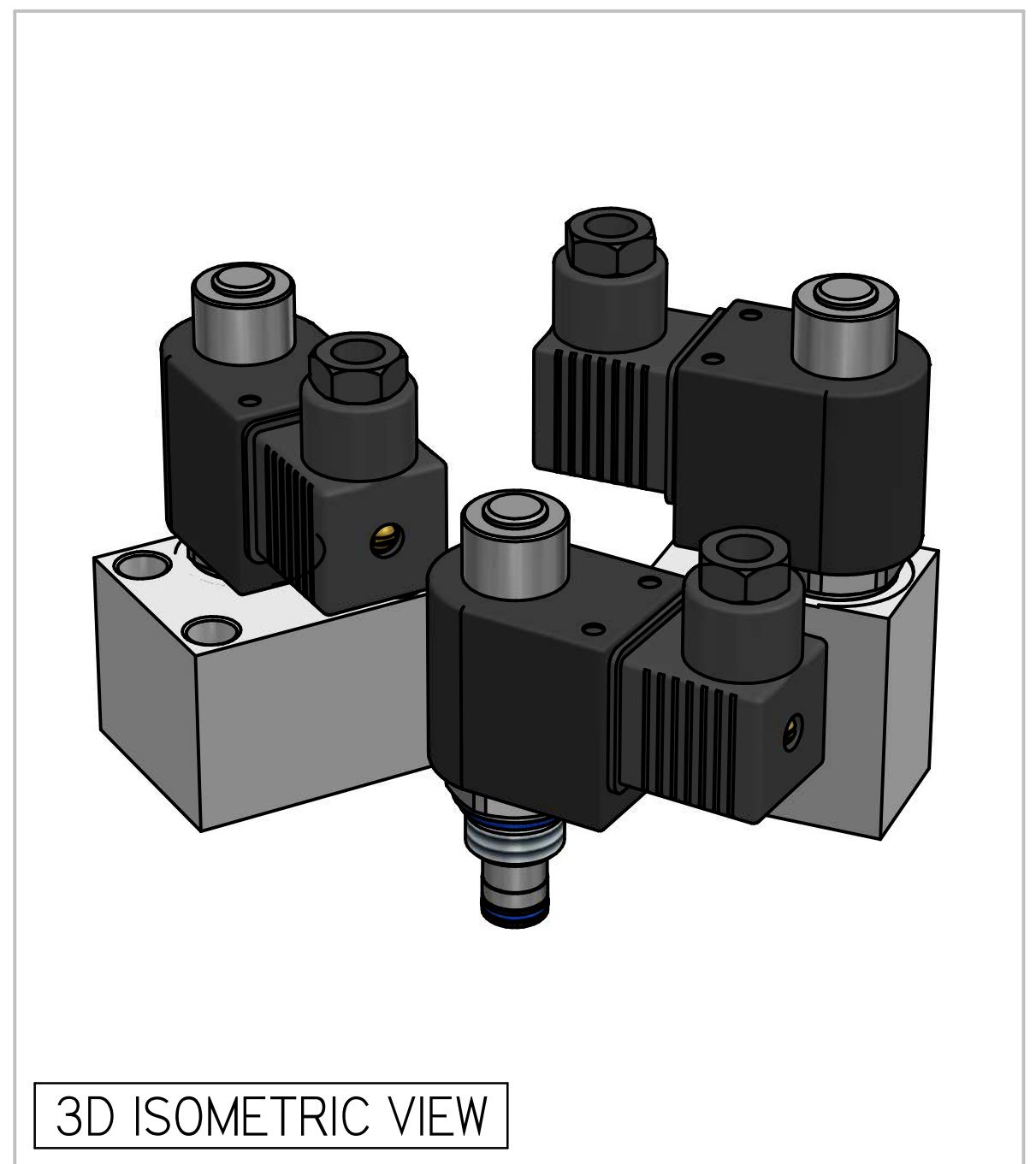
### Features

- High flow capacity with reduced space
- No dynamic seals
- Standard valve bodies and cavities
- One-piece encapsulated coil with minimal amperage draw
- Oil immersed armature solenoid
- Manual override and seal variations available
- Sealed coil arrangement to protect stem from corrosion

### Specifications

Figures based on: Oil Temp = 40°C Viscosity = 40 cSt

Max Pressure	210 bar
Rated Flow	20 lpm
Cartridge Material	Working parts : Hardened, ground steel External surfaces : Zinc plated
Weight (Cartridge only)	0.200kg
Cavity Number	TH879 (Refer Cavities Section)
Manifold Material	Aluminium (upto 250 bar)
Torque into Cavity	30Nm
Mounting	Line/Subplate
Seal Kit Number	SKSP217 (Nitrile) SKSP217V (Viton®)
Filtration Level	BS5540/4 Class 18/13 (25µ nominal)
Operating Temp	-20°C to +90°C (Standard Seals)
Leakage	Less than 0.6 millilitres/min (10 dpm)
Viscosity Range	5 to 500 cSt

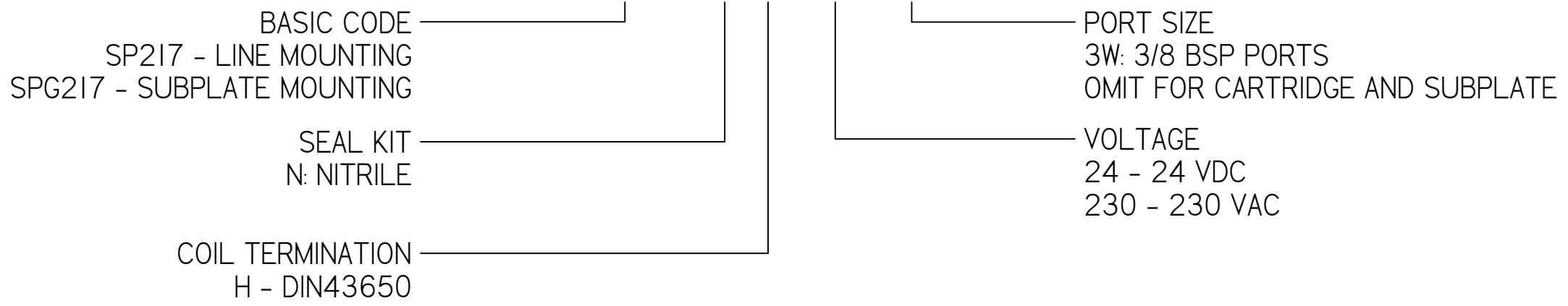


3D ISOMETRIC VIEW

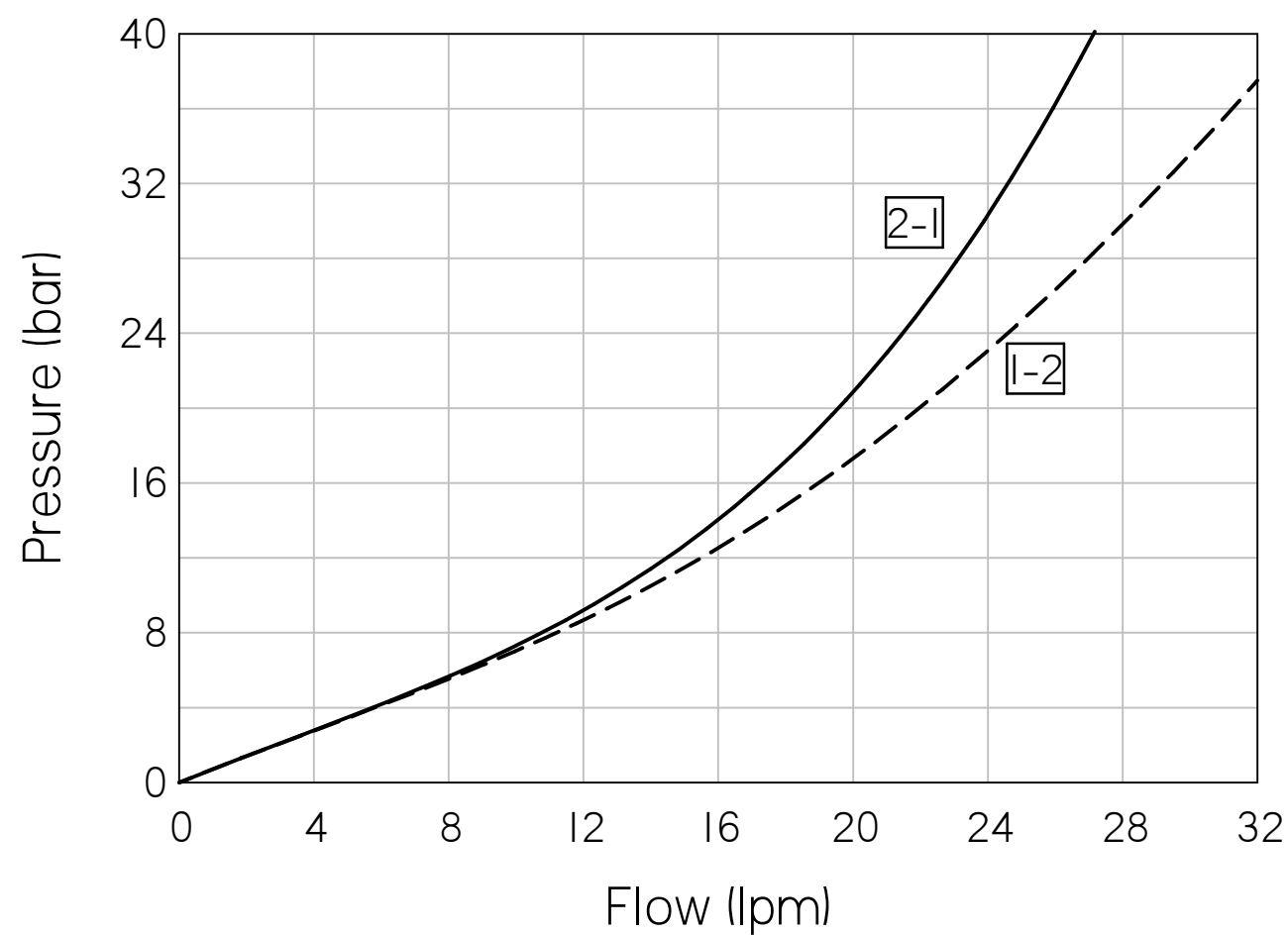
Where measurements are critical request certified drawings. We reserve the right to change specifications without notice.

**TO ORDER**

**SP217 N H 24 3W**



**PRESSURE CHARACTERISTICS**

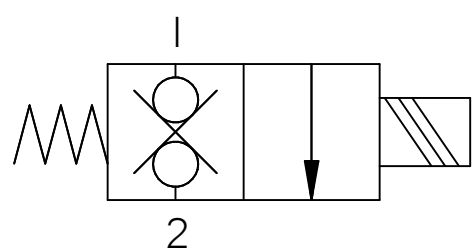


**COMPLETE VALVE** 3/8" BSP PORTS

BASIC CODE: SP217 3W

ONLY Body Part Numbers (BSP)

Aluminium	SG Iron
3/8" Z10280	3/8" Z10280S

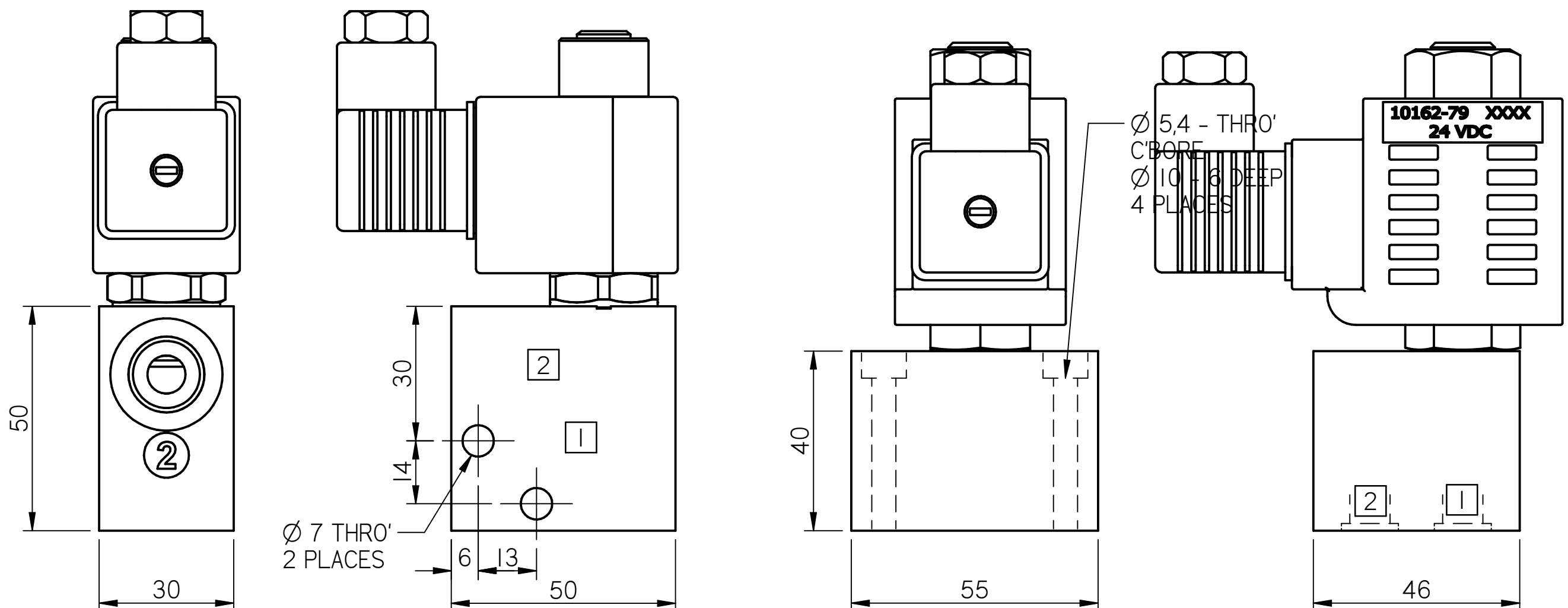
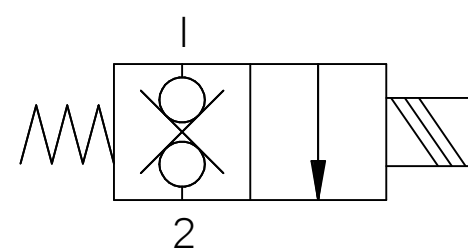


**COMPLETE VALVE** CETOP3 INTERFACE

BASIC CODE: SPG217

ONLY Body Part Numbers

Aluminium	SG Iron
-	CETOP3 Z10281



Where measurements are critical request certified drawings. We reserve the right to change specifications without notice.