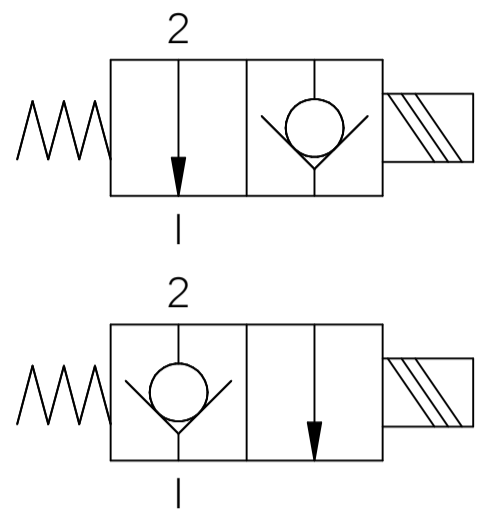
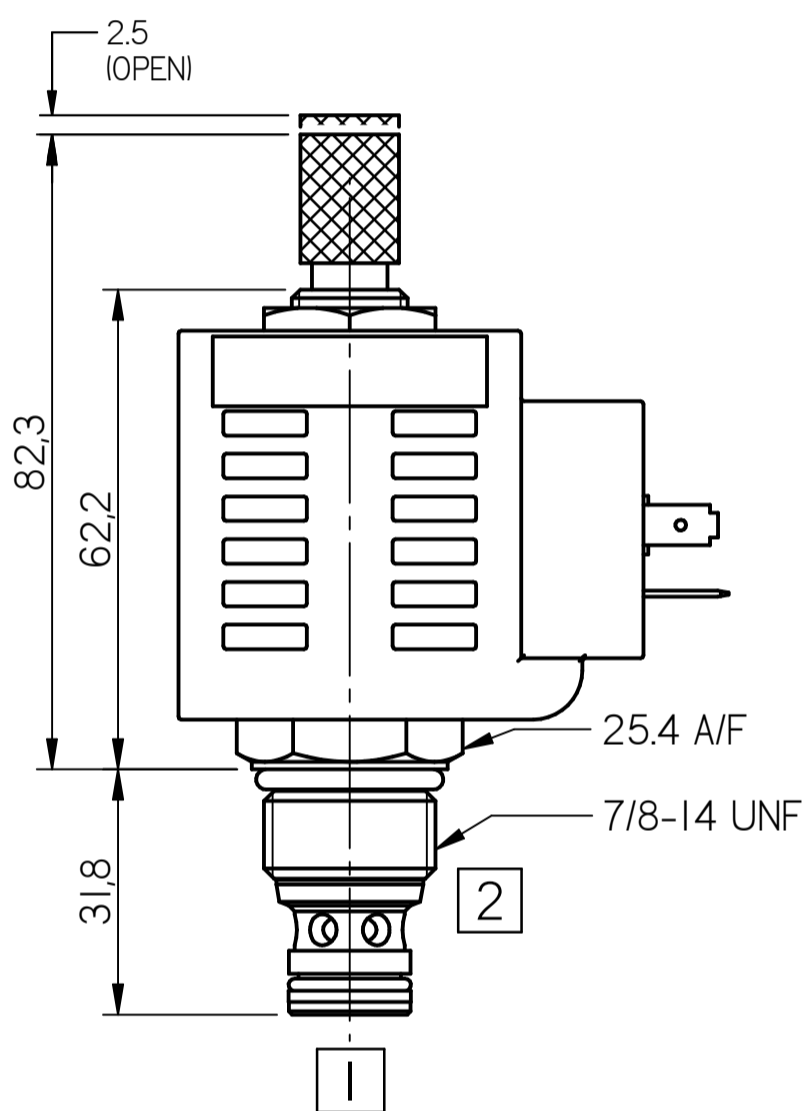
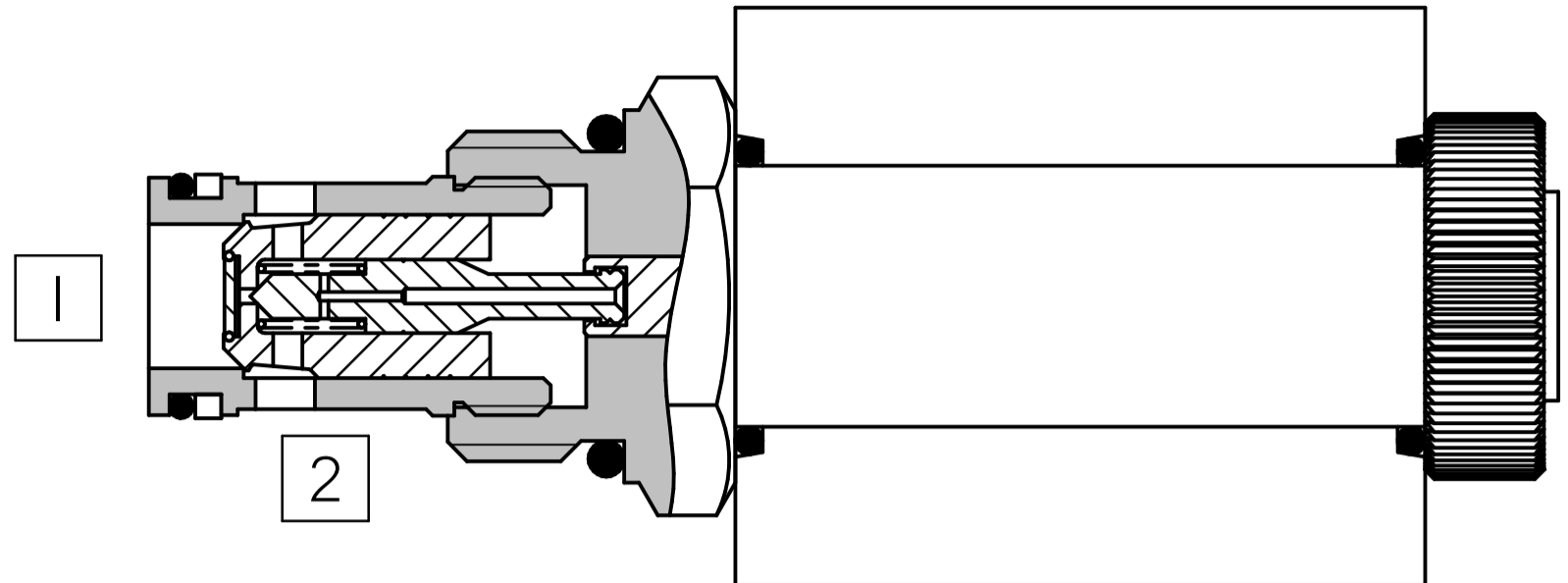


FLUID POWER SYMBOL



SP501 - N.O.
(as shown)

SP502 - N.C.



Application

Typical usage includes the control of actuators in a hydraulic system, decompression of hydraulic fluid in heavy cylinders etc.

Operation

Normally Open

De-energised: Flow is unrestricted in both directions.

Energised: Flow is blocked from 2 to 1
Free flow from 1 to 2.

Normally Closed

De-energised: Flow is blocked from 2 to 1
Free flow from 1 to 2.

Energised: Flow is unrestricted in both directions.

Features

- High flow capacity with reduced space
- No dynamic seals
- Standard valve bodies and cavities
- One-piece encapsulated coil with minimal amperage draw
- Oil immersed armature solenoid
- Manual override and seal variations available
- Sealed coil arrangement to protect stem from corrosion

Coil Information

(See Coil Specification Page)

Part Number - C16-*/*19

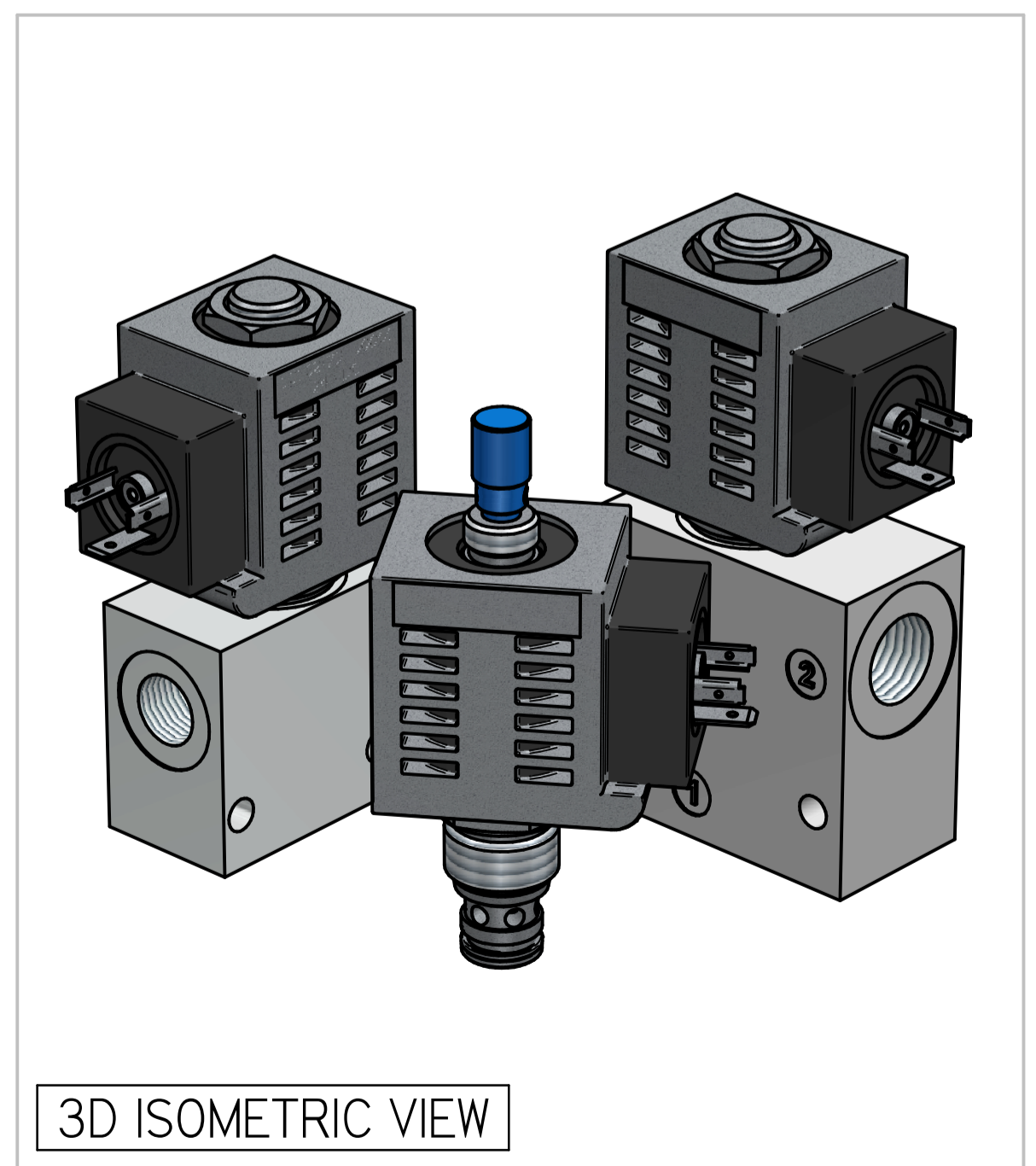
Voltages Available : 12, 24 VDC
: 230 VAC*

*AC Coils must be used with a rectifying connector.

Specifications

Figures based on: Oil Temp = 40°C Viscosity = 40 cSt

Max Pressure	210 bar
Rated Flow	60 lpm
Cartridge Material	Working parts : Hardened, ground steel External surfaces : Zinc plated
Weight (Cartridge only)	0.400 kg
Cavity Number	SAE10-2 (Refer Cavities Section)
Manifold Material	Aluminium (upto 250 bar) SG Iron (above 250 bar)
Torque into Cavity	45 Nm
Mounting	Line
Seal Kit Number	SKSP50I (Nitrile) SKSP50IV (Viton®)
Filtration Level	BS5540/4 Class 18/13 (25µ nominal)
Operating Temp	-20°C to +90°C (Standard Seals)
Leakage	Less than 0.3 millilitres/min (5 dpm)
Viscosity Range	5 to 500 cSt



3D ISOMETRIC VIEW

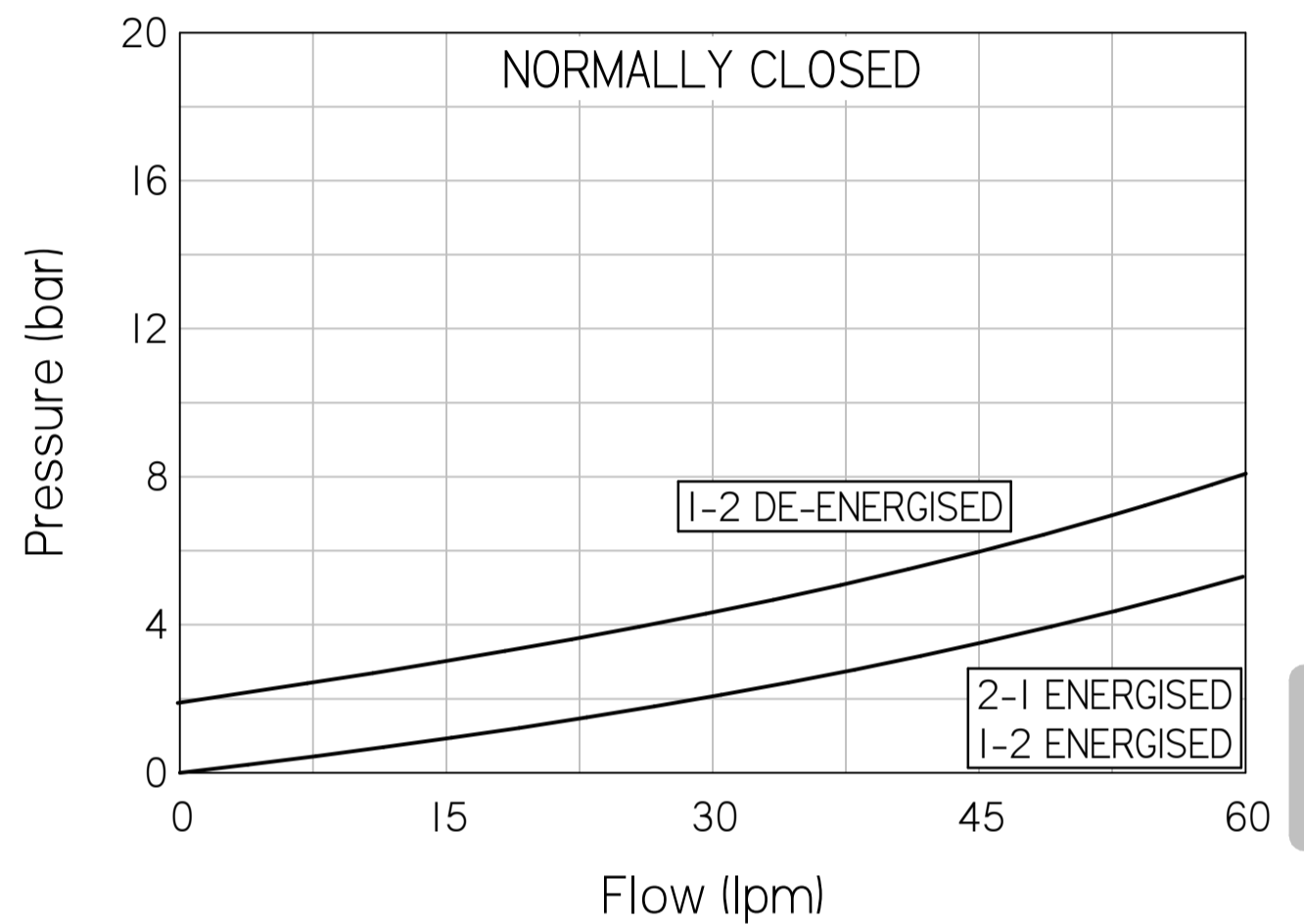
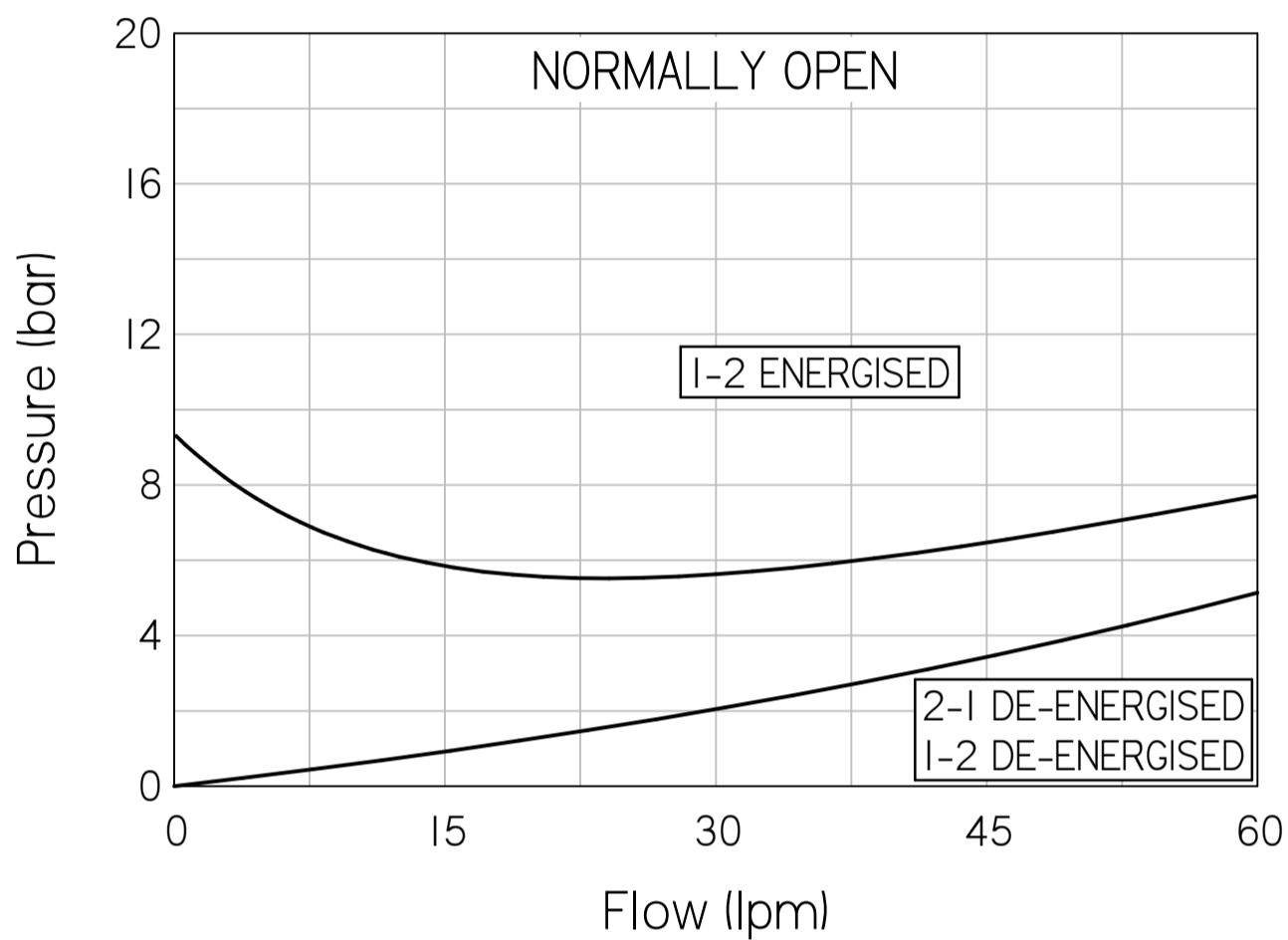
Where measurements are critical request certified drawings. We reserve the right to change specifications without notice.

TO ORDER

SP501 N H 24 3W

<p>BASIC CODE SP501 - NORMALLY OPEN LINE MOUNTING SP502 - NORMALLY CLOSED LINE MOUNTING</p> <p>SEAL KIT N: NITRILE V: VITON</p> <p>COIL TERMINATION H - DIN43650</p>	<p>PORT SIZE 3W: 3/8 BSP PORTS 4W: 1/2 BSP PORTS OMIT FOR CARTRIDGE AND SUBPLATE</p> <p>VOLTAGE 12 - 12 VDC 24 - 24 VDC 230 - 230 VAC</p>
--	---

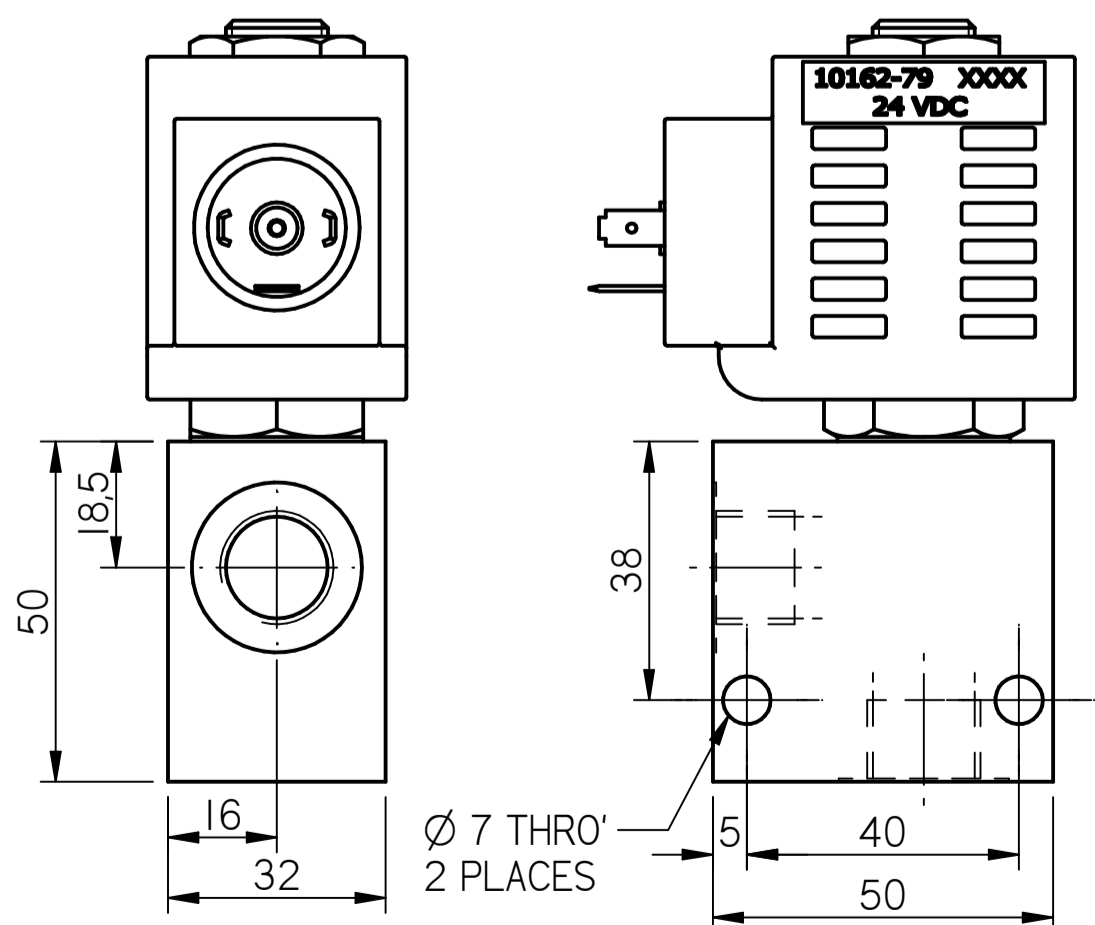
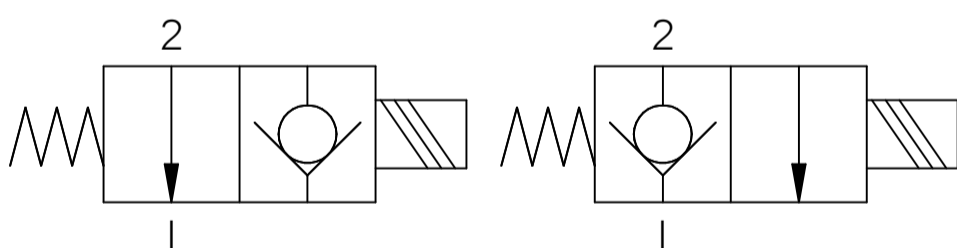
PRESSURE CHARACTERISTICS



COMPLETE VALVE 3/8" BSP PORTS

BASIC CODE: SP501 3W (NORMALLY OPEN)
SP502 3W (NORMALLY CLOSED)

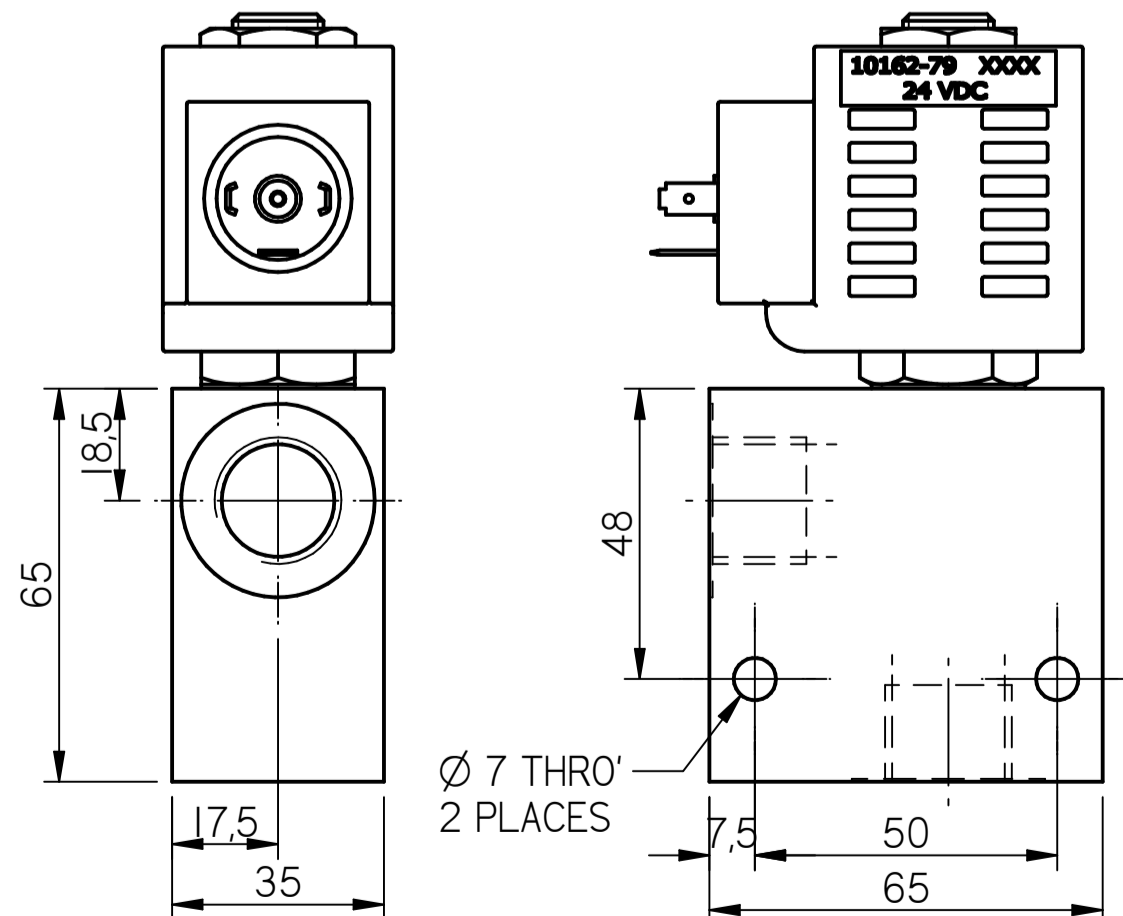
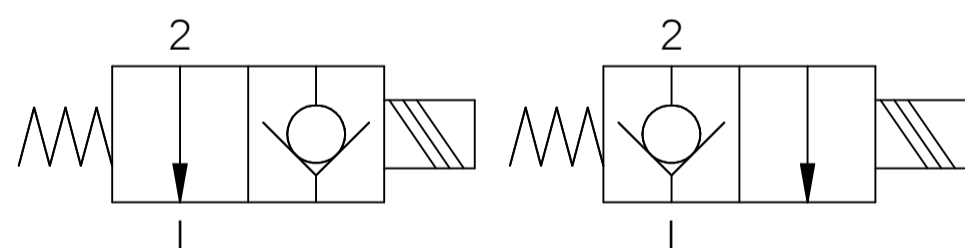
ONLY Body Part Numbers (BSP)
Aluminium SG Iron
3/8" Z10221 3/8" Z10221S



COMPLETE VALVE 1/2" BSP PORTS

BASIC CODE: SP501 4W (NORMALLY OPEN)
SP502 4W (NORMALLY CLOSED)

ONLY Body Part Numbers (BSP)
Aluminium SG Iron
1/2" Z10212 1/2" Z10212S



Where measurements are critical request certified drawings. We reserve the right to change specifications without notice.