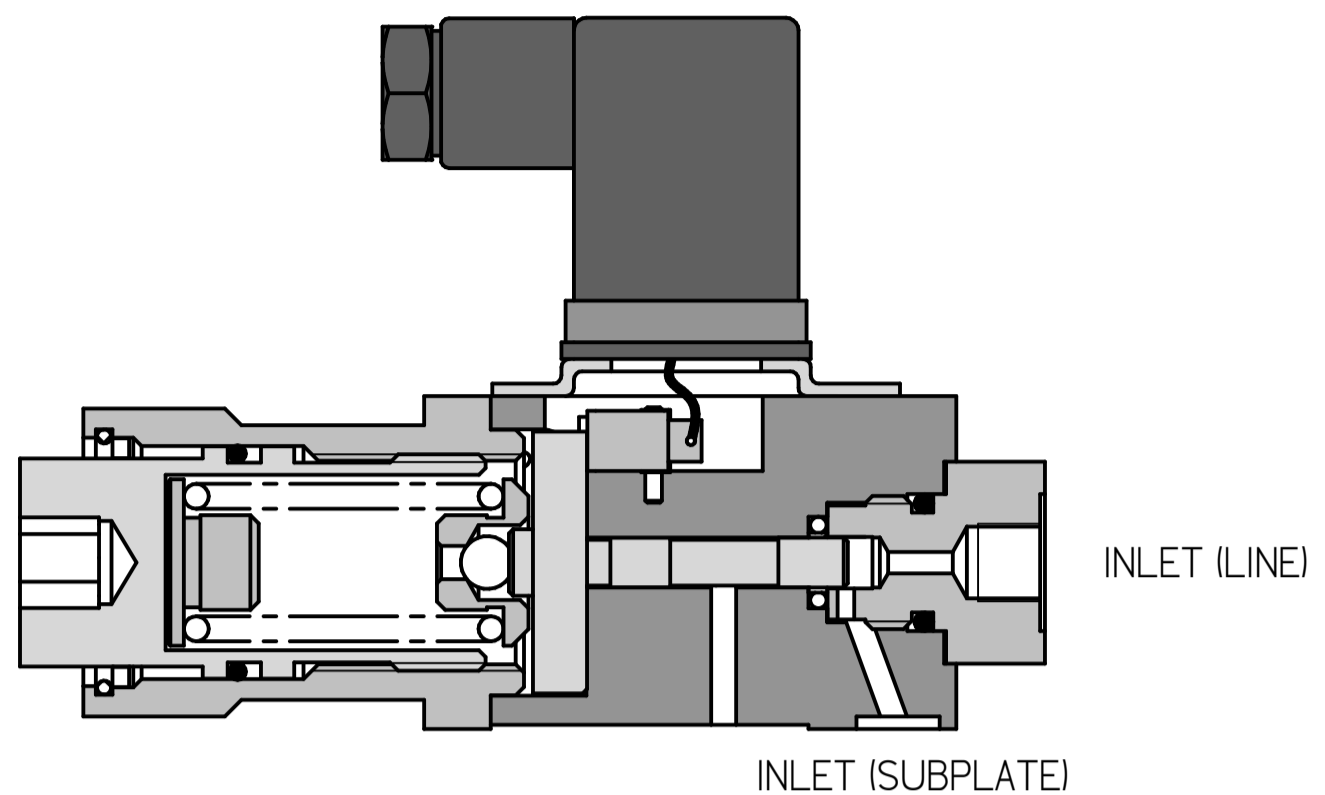
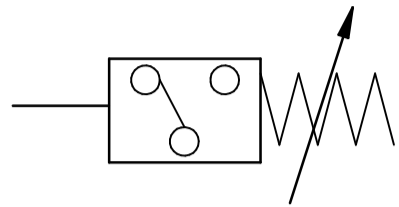
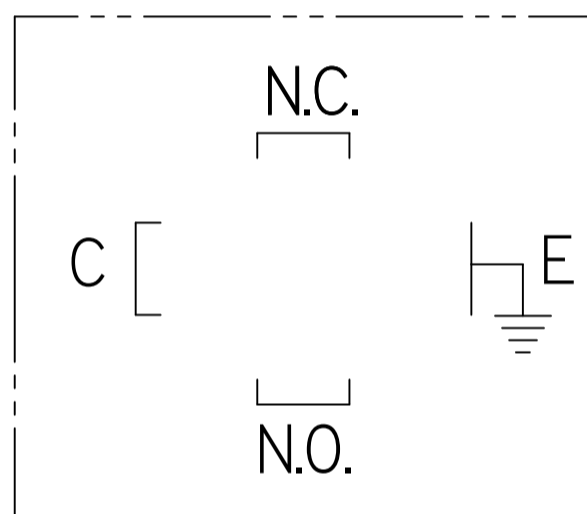


FLUID POWER SYMBOL



WIRING DIAGRAM



Application

Pressure switches are a hydraulic cul-de-sac. It is the junction where the hydraulic circuit ends and the electrical circuit begins. They are used to switch on or off an electrical connection when the pressure in a hydraulic system reaches a preset value. They can be used to switch on brake lights automatically by detecting a rise in pressure in hydraulic brake pipes.

Features

Hardened working parts ensure a long, reliable and trouble-free life. Maximum flexibility in mounting with subplate and line mounted versions available. Plastic DIN plug cap protects the leads from dust, oil and contamination.

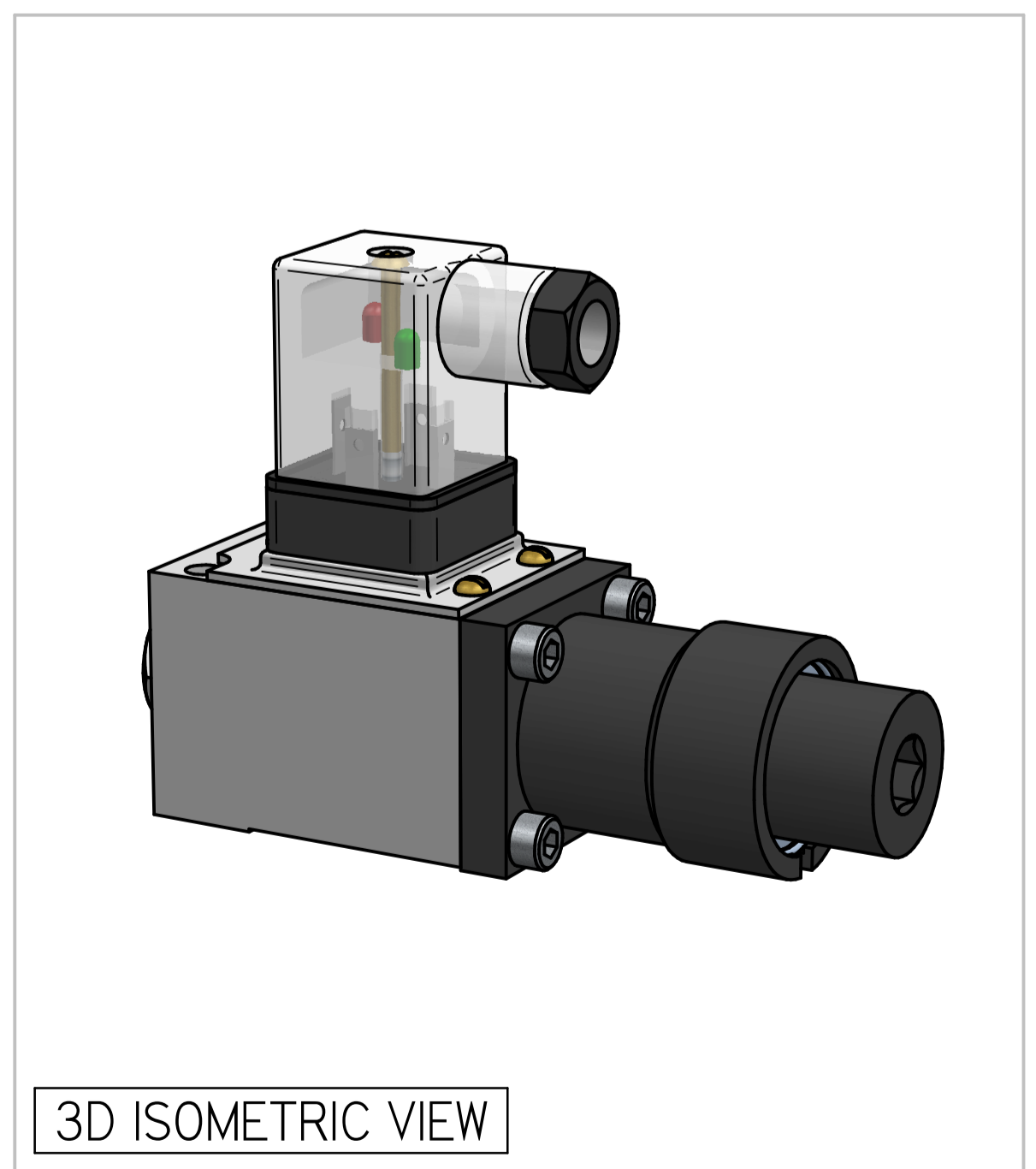
Operation

Pressure is set using a wrench at the front of the pressure switch. The spool senses the pressure at the inlet causing the switch from open to close or vice versa once the desired pressure is reached.

Specifications

Figures based on: Oil Temp = 40°C Viscosity = 40 cSt

Max Pressure	350 bar
Body Material	Cast Iron
Switching Element	Microswitch
Switching Freq.	120/min
Switching Accuracy	< ±1%
Electrical Rating	250 VAC – 5.0 AMP
	50 VDC – 1.0 AMP
	250 VDC – 0.2 AMP
Mounting	Subplate/Line mounted
Weight	1.02 Kg
Seal Kit Number	SKPS01 (Nitrile)
Filtration	BS5540/4 Class 18/13 (25µ nominal)
Operating Temp	-20°C to +90°C (Standard Seals)
Viscosity Range	5 to 500 cSt



3D ISOMETRIC VIEW

Where measurements are critical request certified drawings. We reserve the right to change specifications without notice.

TO ORDER

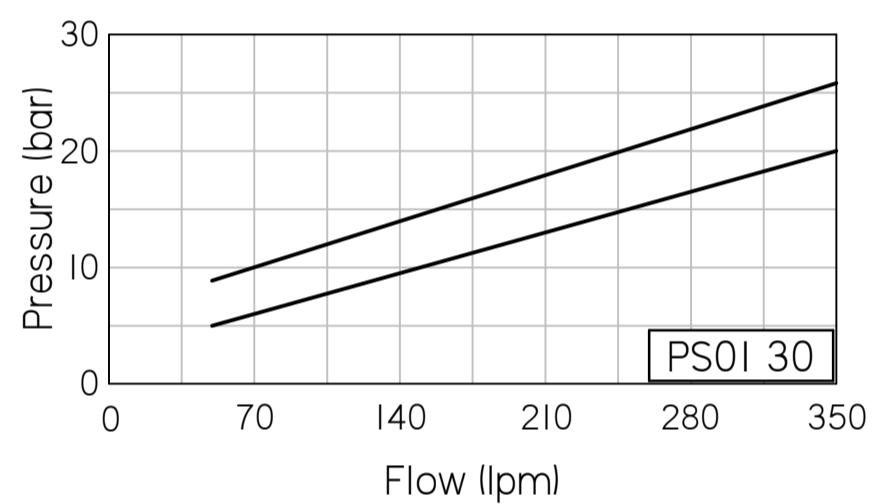
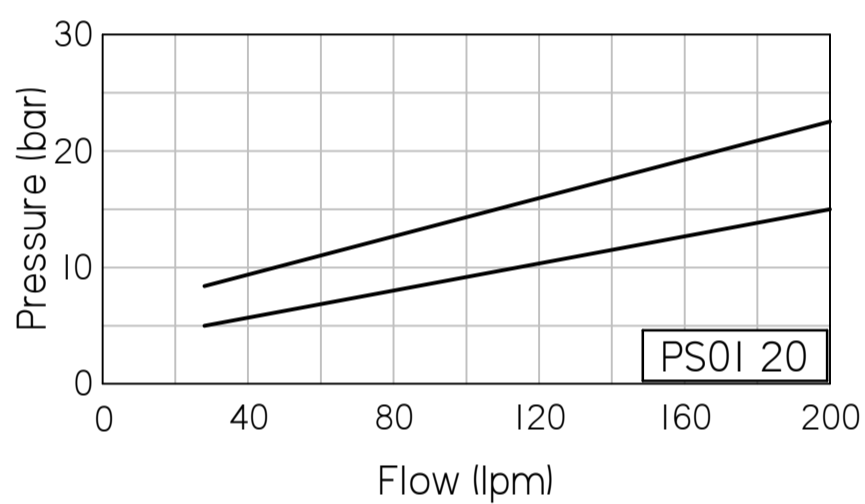
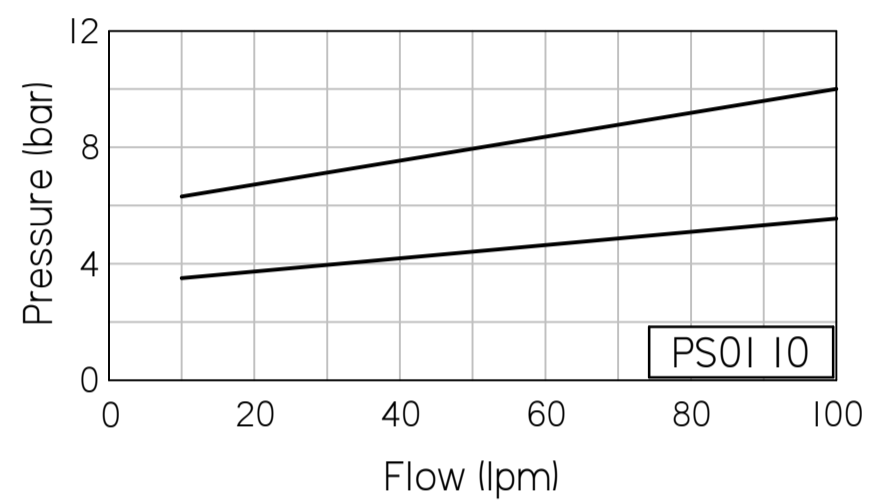
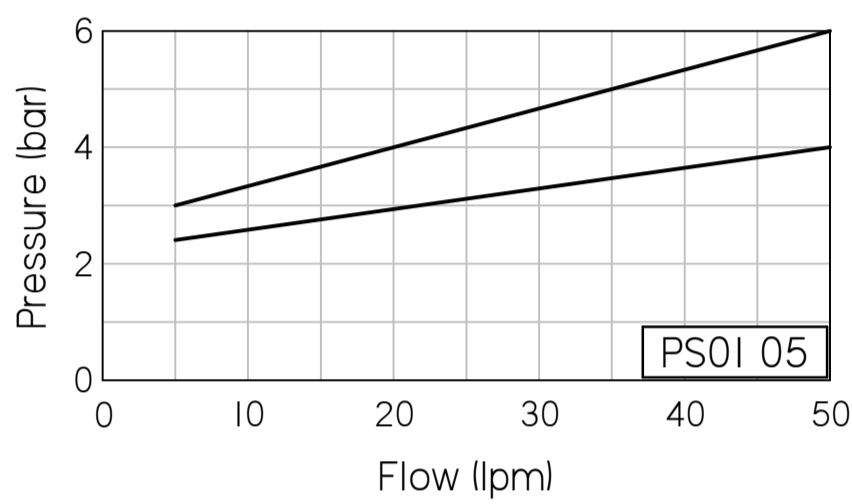
PS01 2W 30 24

BASIC CODE ————
 PORT SIZE ————
 2W: 1/4 BSP PORTS
 OMIT FOR SUBPLATE

LED CONNECTOR
 230: 230 VAC
 24: 24 VDC
 OMIT IF NOT REQUIRED

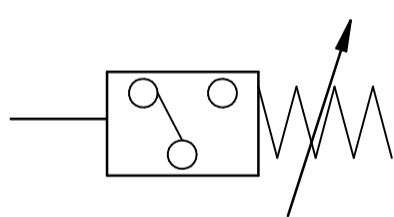
PRESSURE RANGE
 05: 5 to 50 bar
 10: 10 to 100 bar
 20: 30 to 210 bar
 30: 50 to 350 bar

PRESSURE CHARACTERISTICS

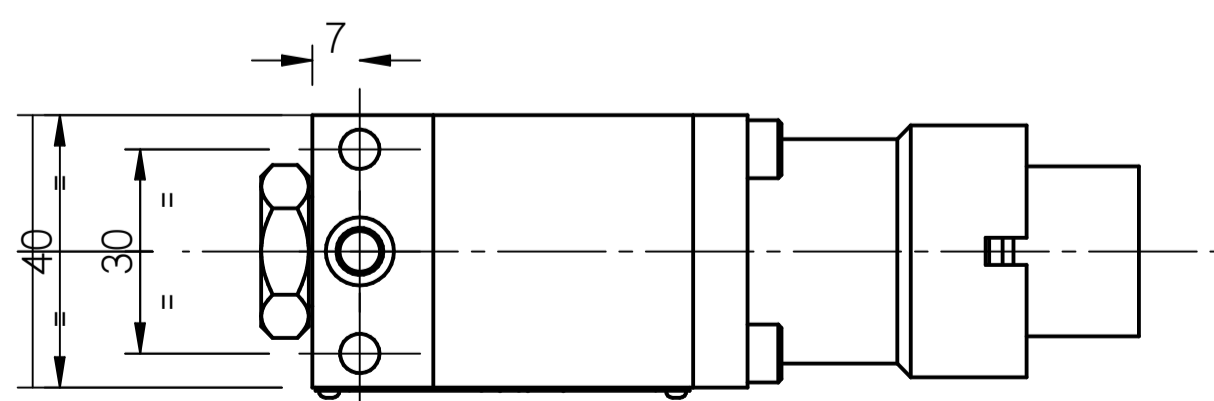
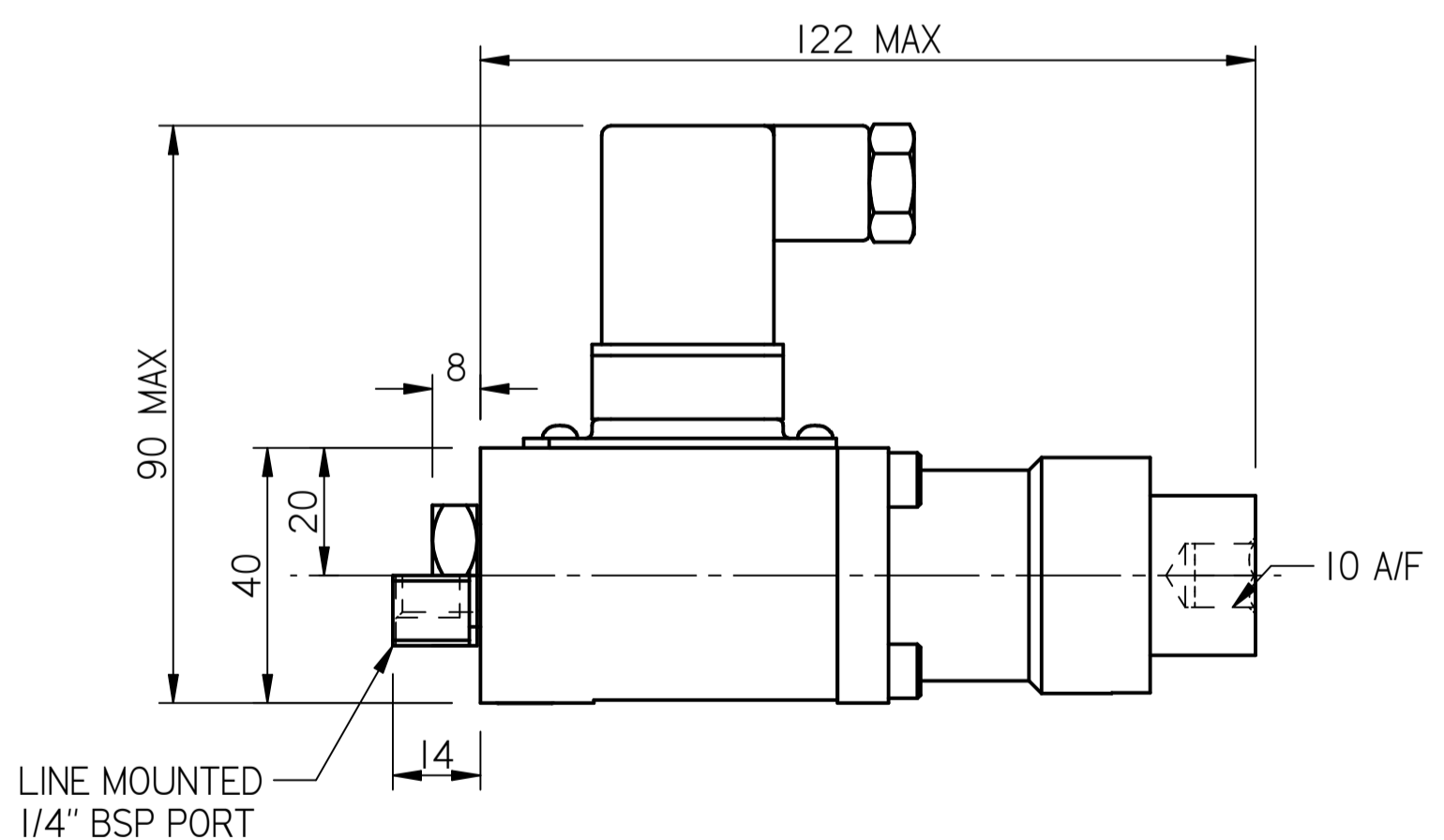
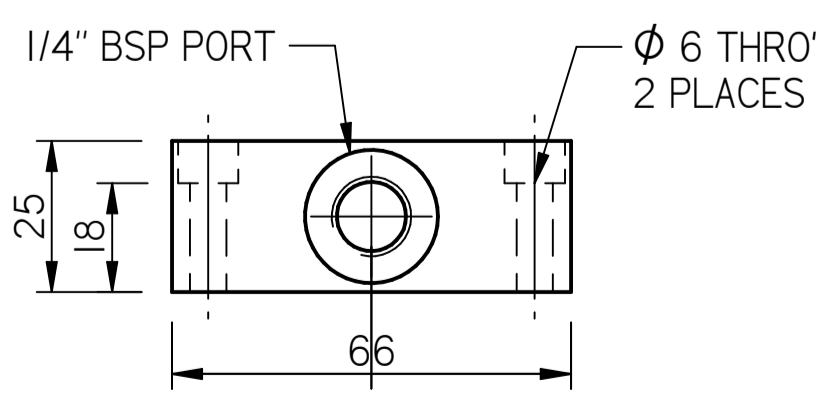
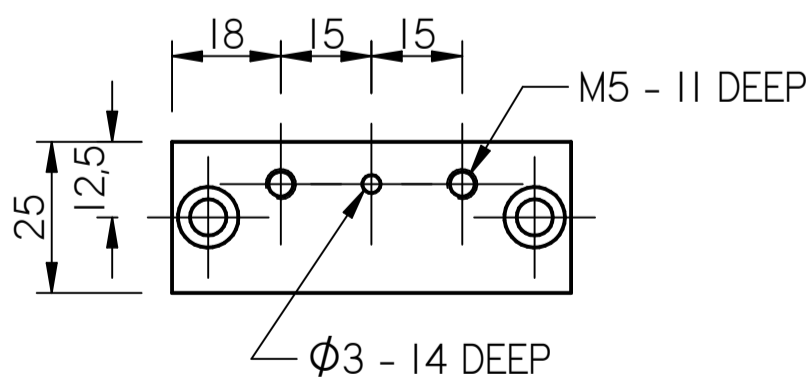


COMPLETE VALVE 1/4" BSP PORT / SUBPLATE

BASIC CODE: PS01
 Subplate Part Numbers (BSP)
 Steel
 1/4" Z10099



Subplate Dimensions



Where measurements are critical request certified drawings. We reserve the right to change specifications without notice.