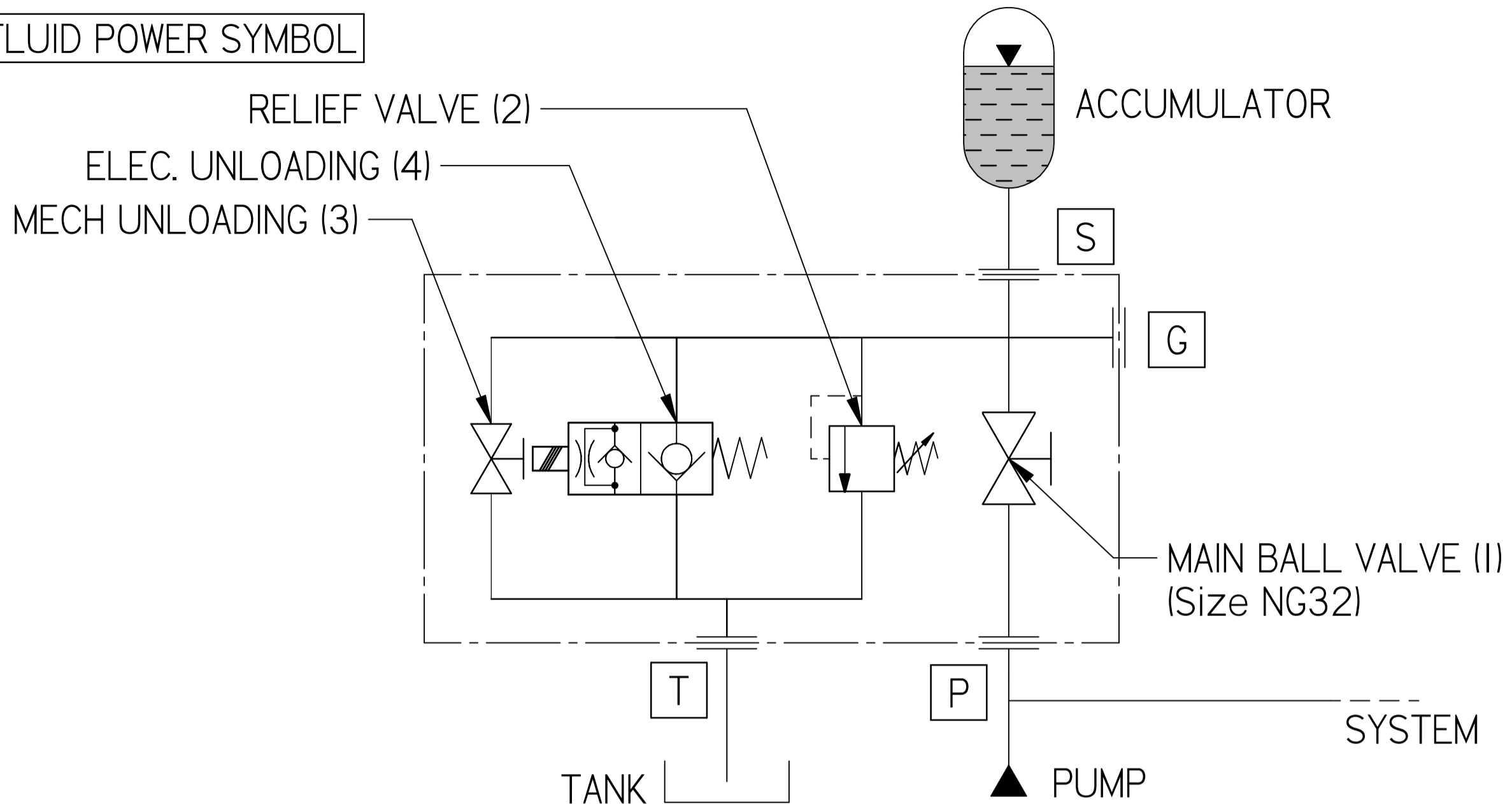


FLUID POWER SYMBOL



Application

The Tucson Safety Block is used to shut off and discharge/drain hydraulic accumulators. Safety blocks are attached along with accumulators to enable ease of servicing as well as to maintain safety standards. This is especially required in the case of accumulators exposed to radiating heat as in the case of steel mills where there is a chance of the accumulator gases expanding and causing a pressure spike within the accumulator.

Operation

The Ball Valve (I) seals off the accumulator from the system during servicing/draining. The Shut Off Valve (3) or the Solenoid Valve (4) can then be used to unload the accumulator to tank. The Relief Valve (2) prevents the accumulator from exploding in case of a pressure spike since it is disconnected from the main system relief.

Features

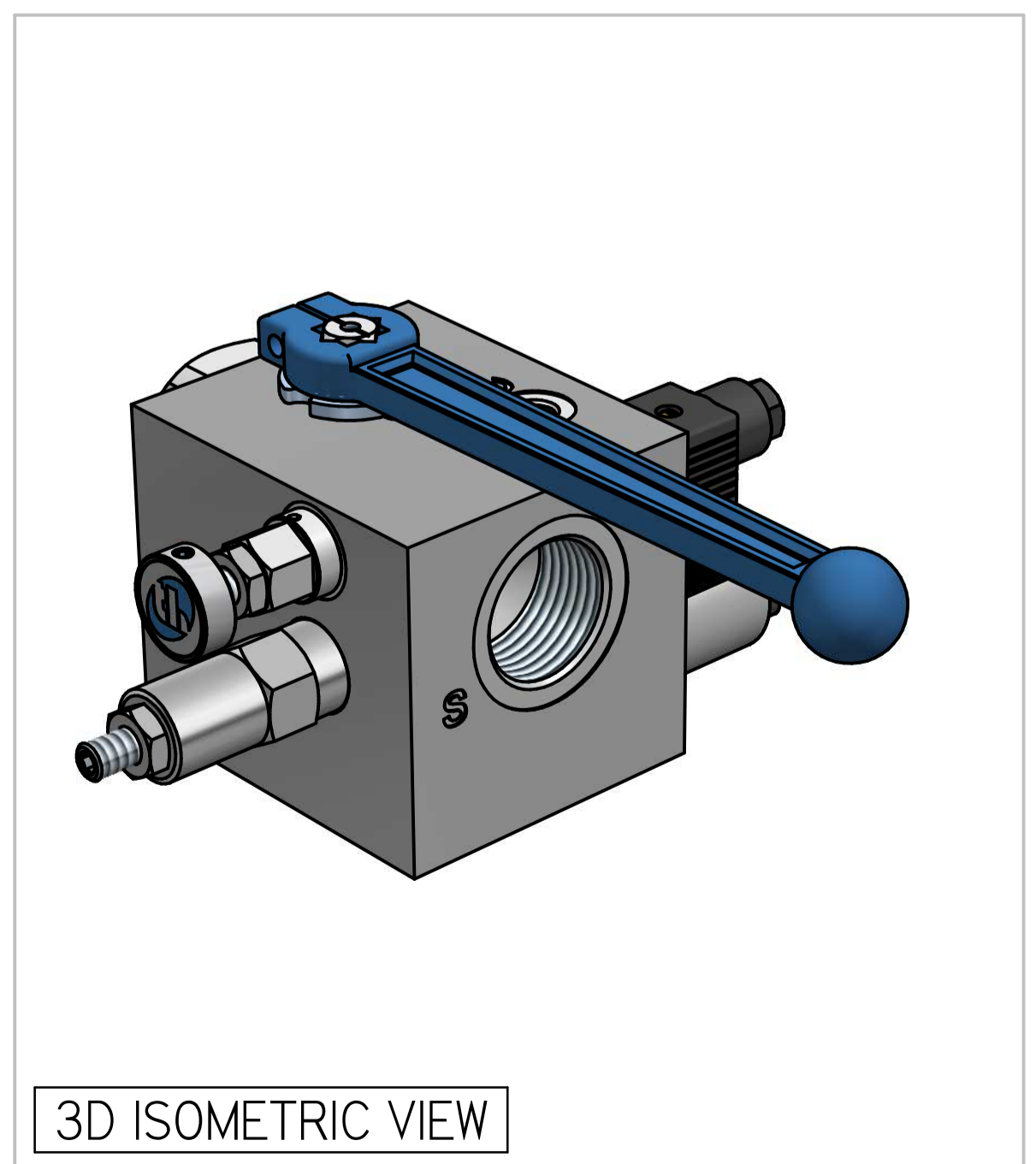
The compact combination of components largely simplifies the connection of an accumulator with minimum space, maintenance and installation required. Considerably fewer pipe fittings are necessary for installation. Additional valves such as pilot-operated check valves, flow control valves and combined flow control and check valves can be fitted to the system connection P. The in-built Relief Valve provides additional safety in case of pressure spike.

13

Specifications

Figures based on: Oil Temp = 40°C Viscosity = 40 cSt

| | |
|------------------|--------------------------------------|
| Rated Flow | See Graph |
| Max Pressure | 500 bar |
| Body Material | Zinc plated steel/Stainless Steel |
| Seat Material | Machined POM |
| Ball Material | Stainless Steel |
| Weight | See Chart |
| Mounting | Line |
| Seal Kit Number | See Chart |
| Filtration Level | BS5540/4 Class 18/13 (25µ nominal) |
| Operating Temp | -20°C to +90°C (Standard Seals) |
| Leakage | Less than 1 millilitres/min (15 dpm) |
| Viscosity Range | 5 to 500 cSt |



3D ISOMETRIC VIEW

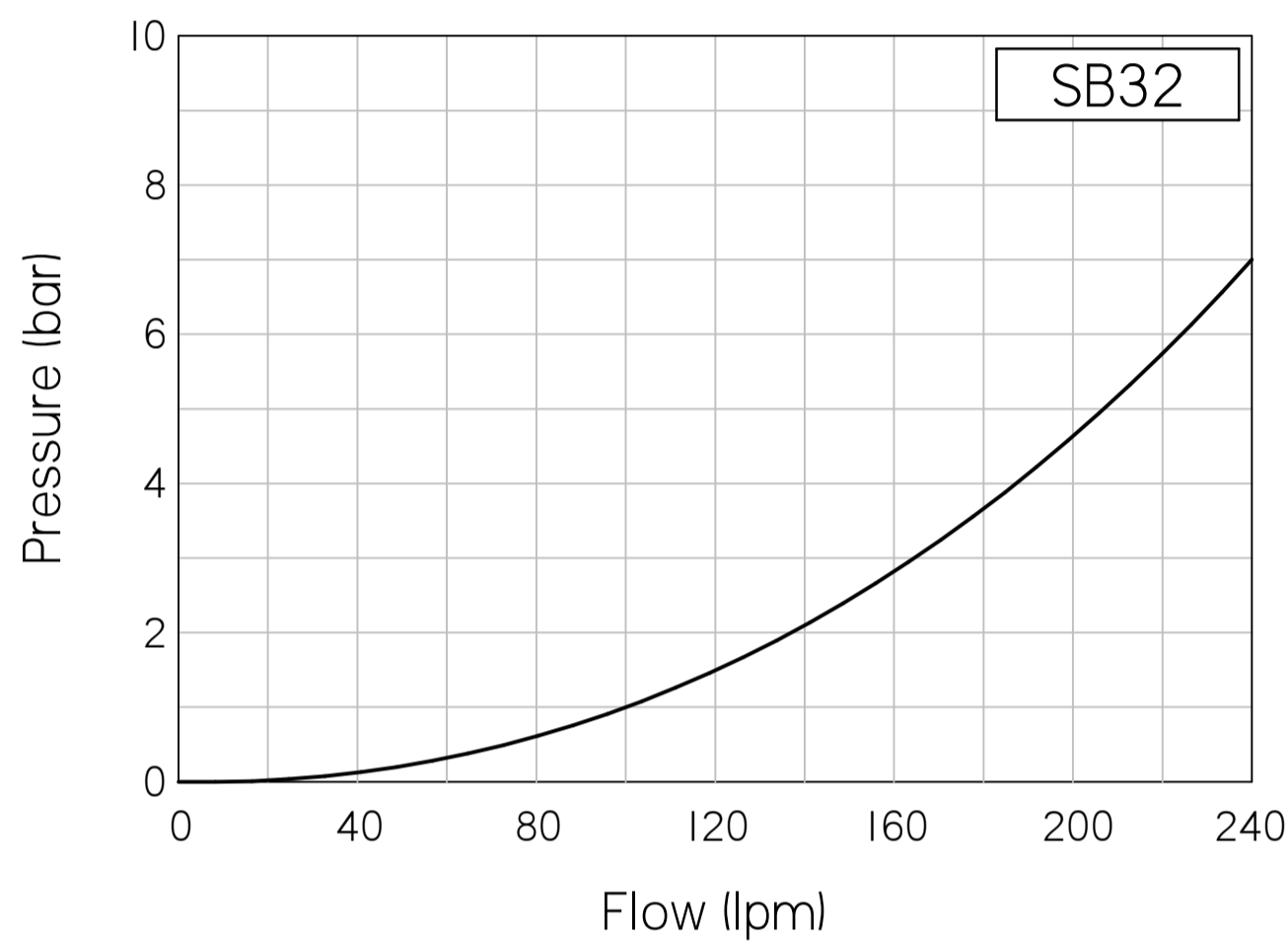
Where measurements are critical request certified drawings. We reserve the right to change specifications without notice.

TO ORDER

SB32 E 20 NO G24 N

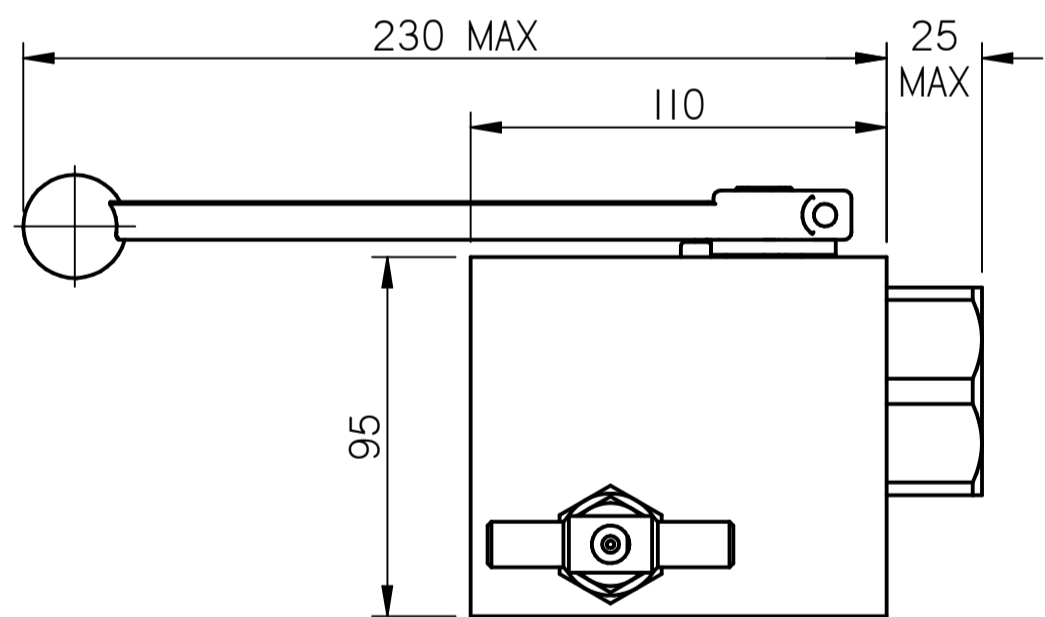
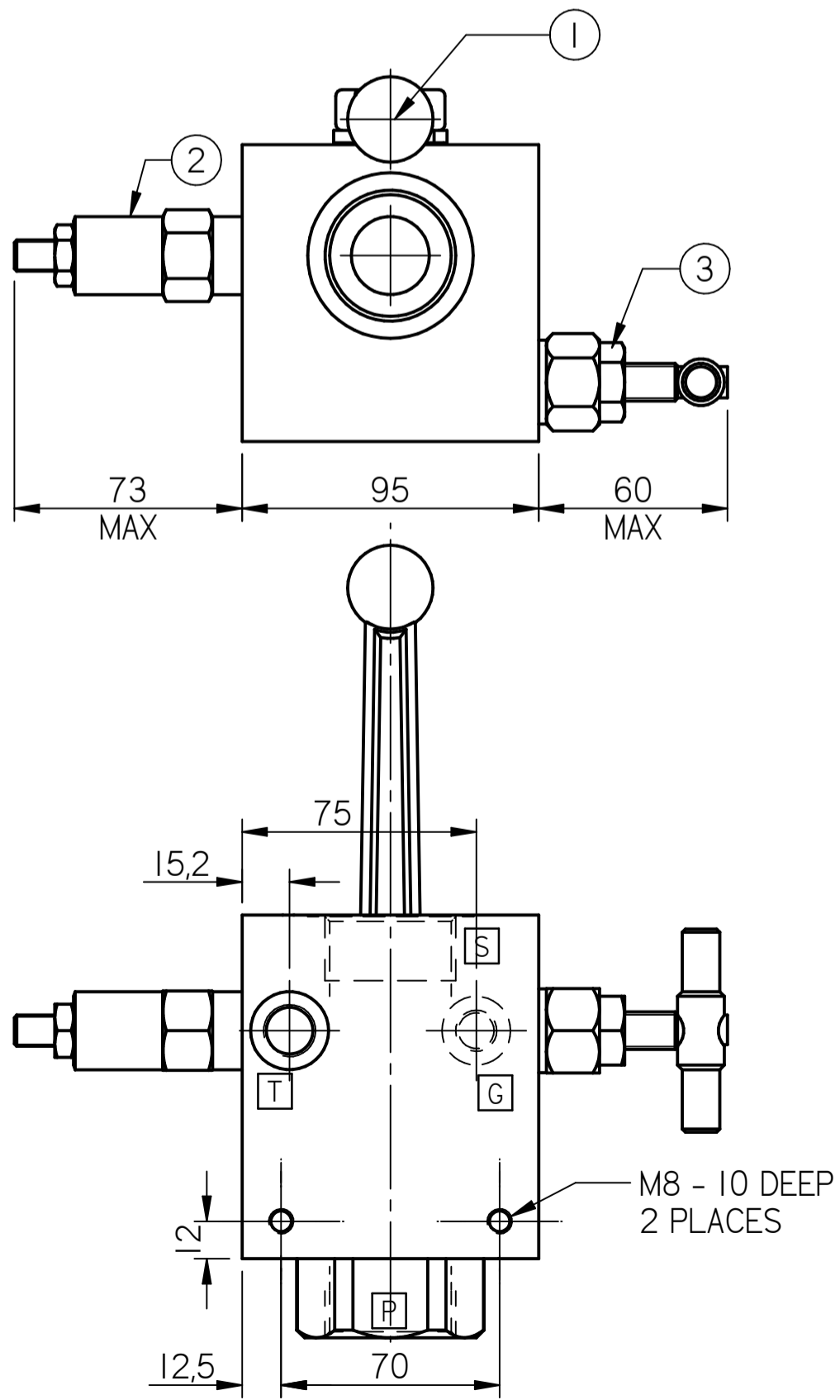
| | |
|--|-----------------------|
| BASIC CODE | SEAL KIT |
| UNLOADING SYSTEM | N: NITRILE |
| E: ELECTRICAL UNLOADING | V: VITON |
| EM: ELEC-MECH UNLOADING | ELECTRICAL CONNECTION |
| OMIT FOR MECH UNLOADING | G24: 24VDC |
| PRESSURE RANGE | SOLENOID VALVE |
| 20: 10 to 200 bar. Std setting 100 bar | NO: NORMALLY OPEN |
| 40: 70 to 400 bar. Std setting 280 bar | NC: NORMALLY CLOSED |

PRESSURE CHARACTERISTICS

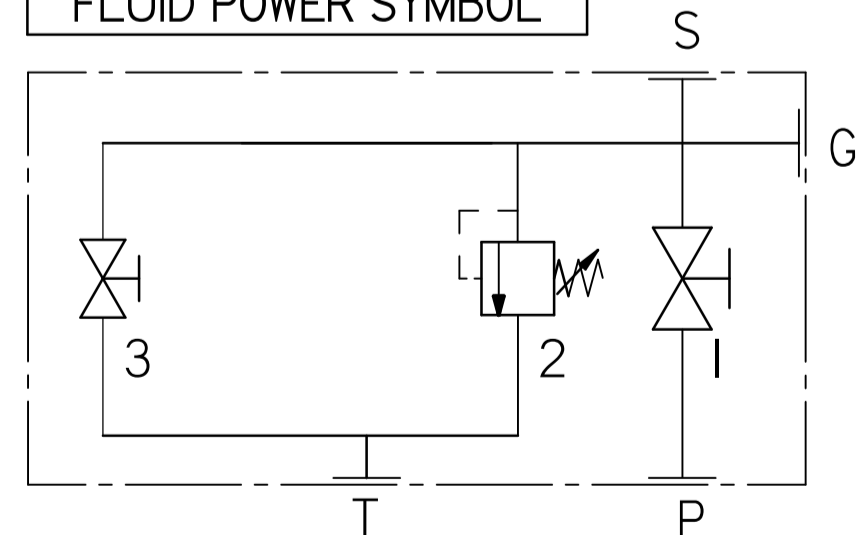


COMPLETE VALVE 1-1/4" BSP PORTS

BASIC CODE: SB32



FLUID POWER SYMBOL



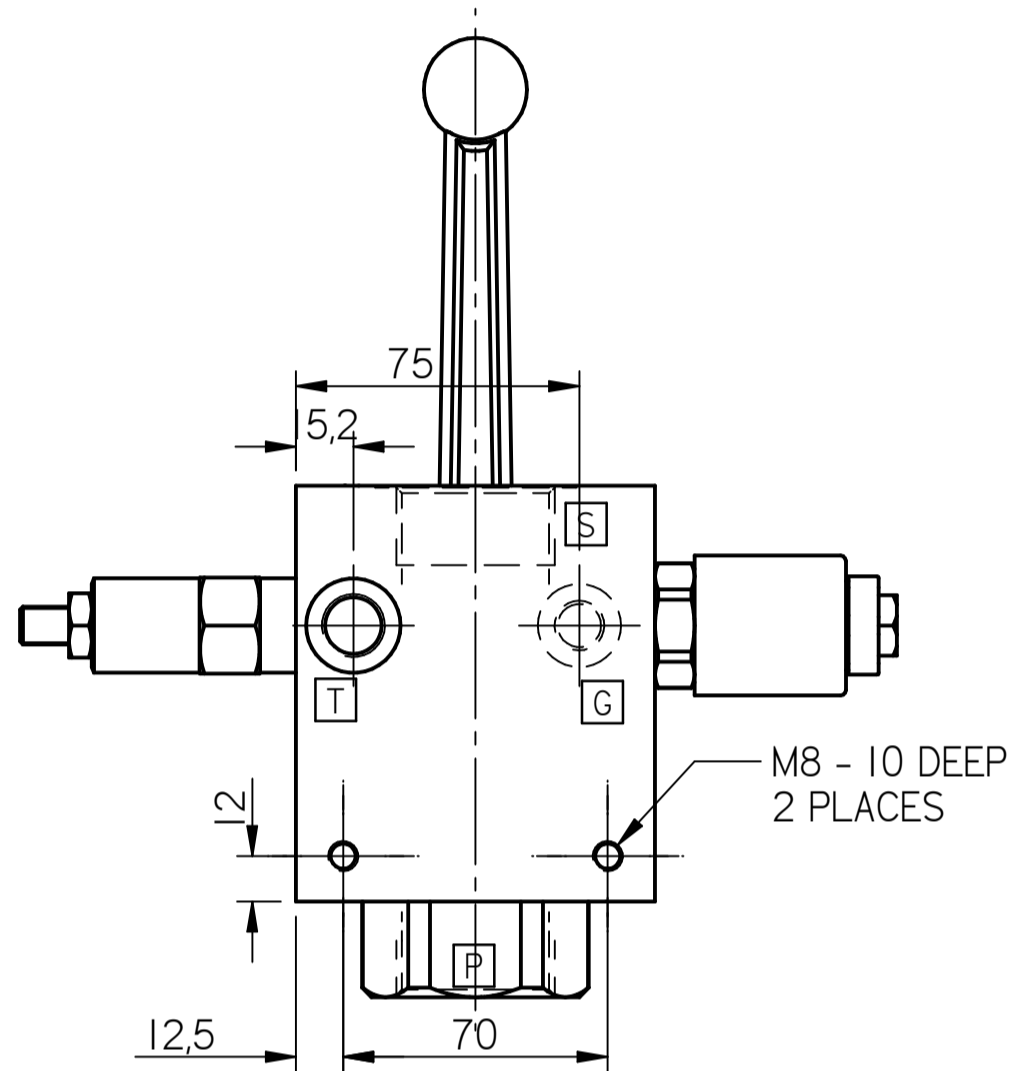
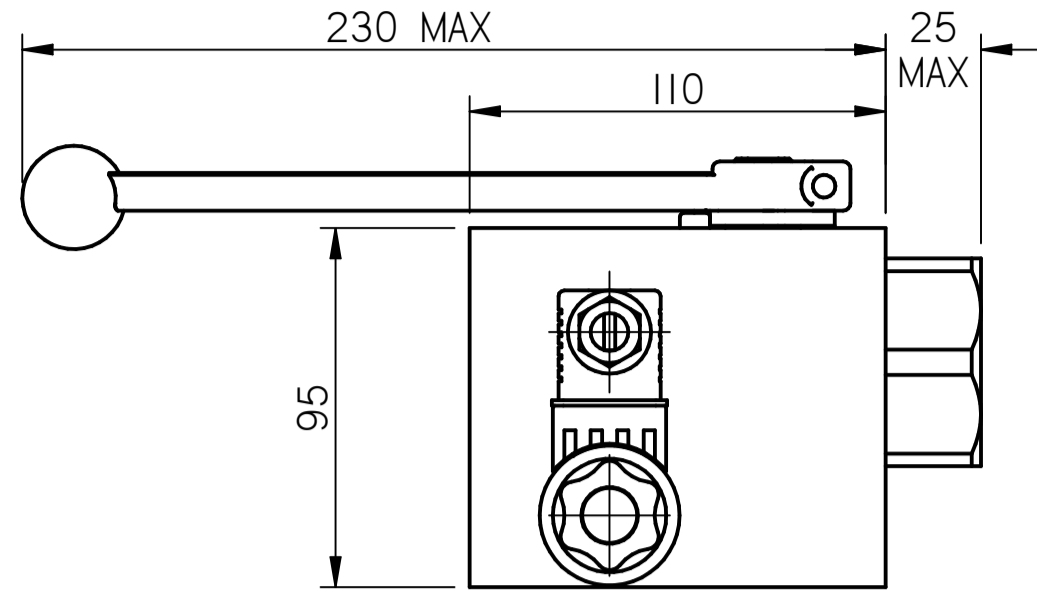
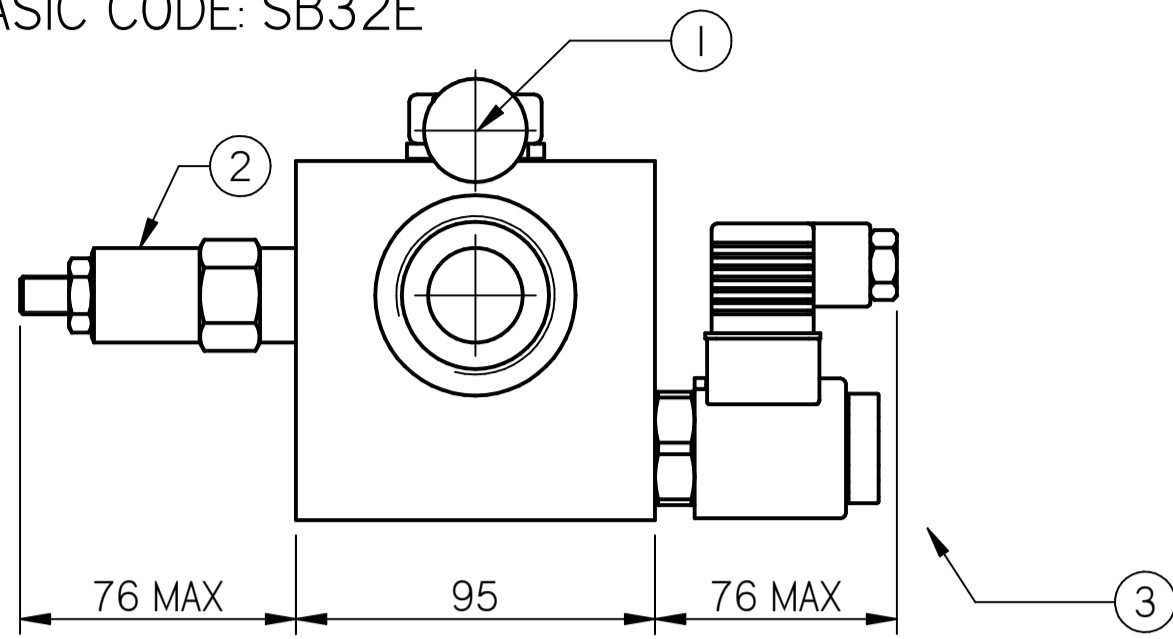
CARTRIDGES AND PORTS

| Ports | Cartridges |
|------------|------------------|
| S 3/4" BSP | 1 Ball Valve |
| P 3/4" BSP | 2 Relief Valve |
| T 3/8" BSP | 3 Shut Off Valve |
| G 1/4" BSP | |

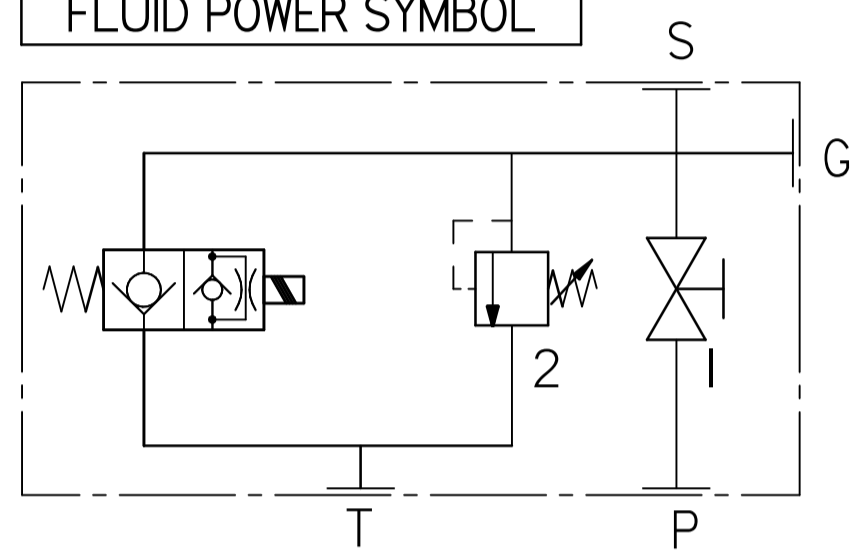
Where measurements are critical request certified drawings. We reserve the right to change specifications without notice.

COMPLETE VALVE 1-1/4" BSP PORTS

BASIC CODE: SB32E



FLUID POWER SYMBOL

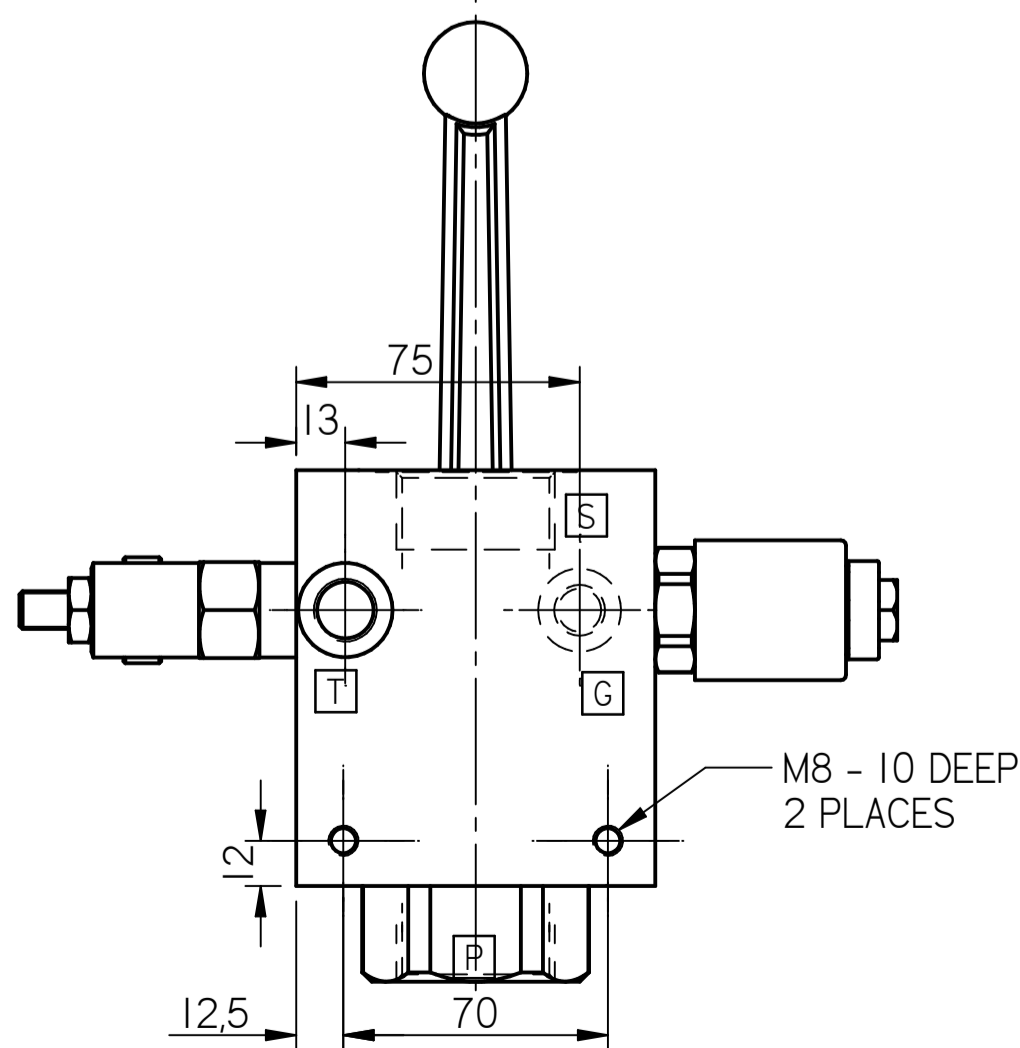
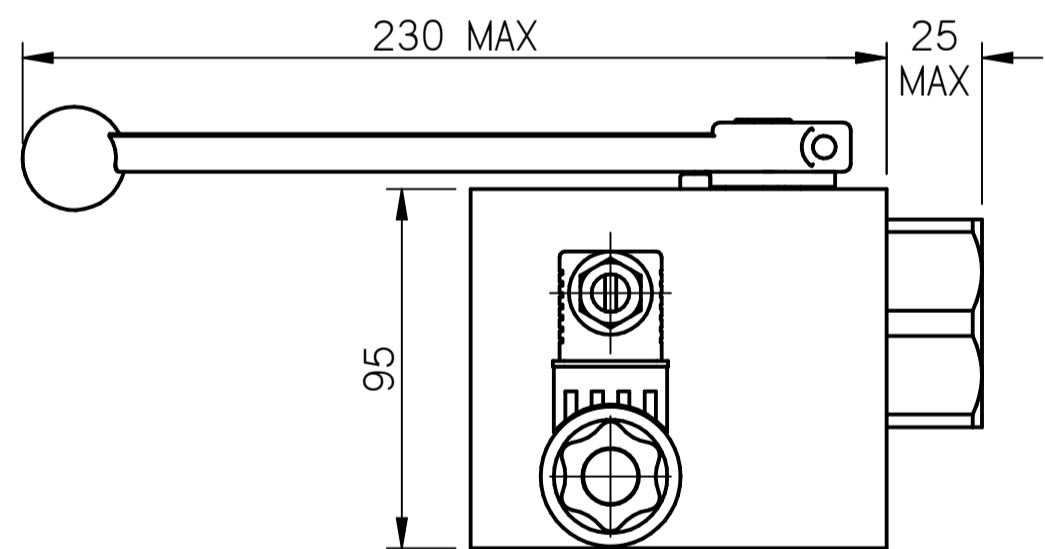
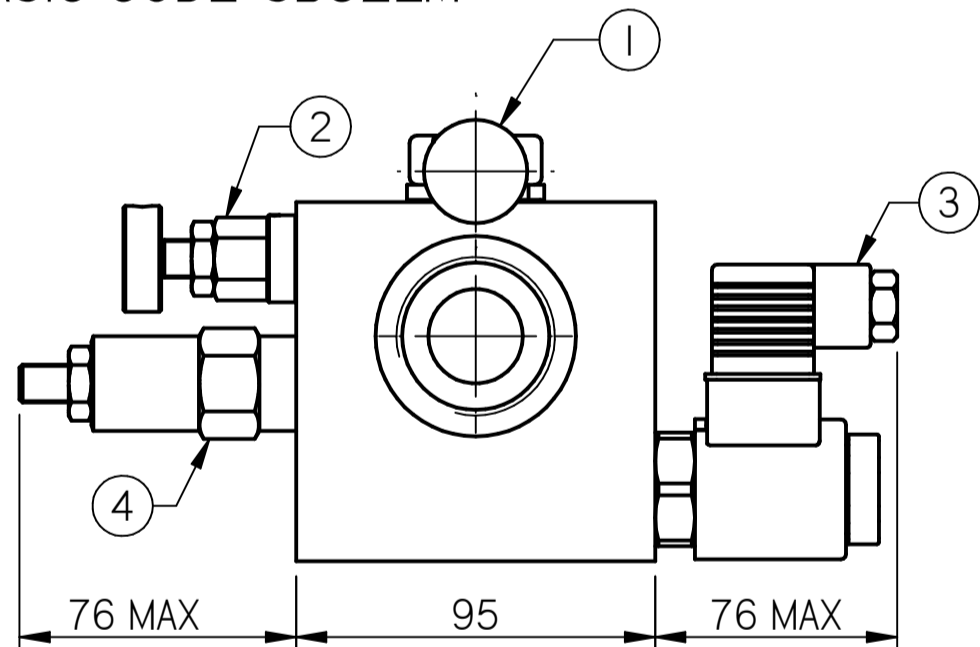


CARTRIDGES AND PORTS

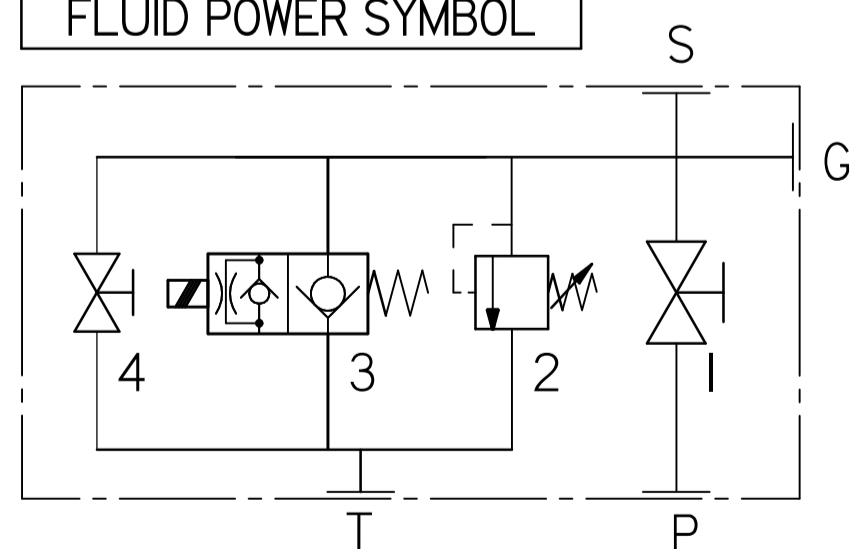
| Ports | Cartridges |
|--------------|------------------|
| S 1-1/4" BSP | 1 Ball Valve |
| P 1-1/4" BSP | 2 Relief Valve |
| T 3/8" BSP | 3 Shut Off Valve |
| G 1/4" BSP | |

COMPLETE VALVE 1-1/4" BSP PORTS

BASIC CODE: SB32EM



FLUID POWER SYMBOL



CARTRIDGES AND PORTS

| Ports | Cartridges |
|------------|------------------|
| S 3/4" BSP | 1 Ball Valve |
| P 3/4" BSP | 2 Relief Valve |
| T 3/8" BSP | 3 Solenoid Valve |
| G 1/4" BSP | 4 Shut Off Valve |

Where measurements are critical request certified drawings. We reserve the right to change specifications without notice.

NOTES