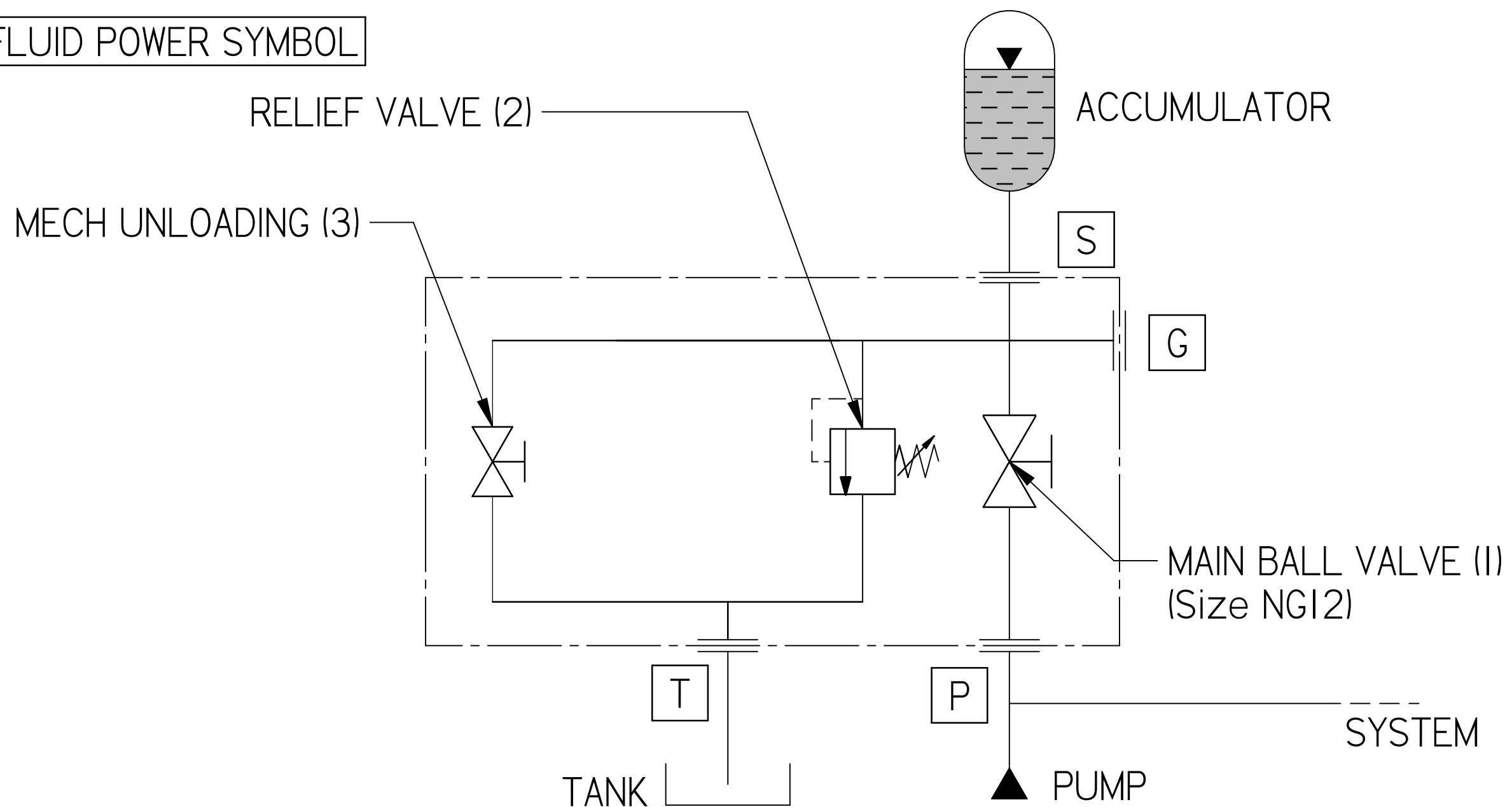


FLUID POWER SYMBOL



Application

The Tucson Safety Block is used to shut off and discharge/drain hydraulic accumulators. Safety blocks are attached along with accumulators to enable ease of servicing as well as to maintain safety standards. This is especially required in the case of accumulators exposed to radiating heat as in the case of steel mills where there is a chance of the accumulator gases expanding and causing a pressure spike within the accumulator.

Operation

The Ball Valve (I) seals off the accumulator from the system during servicing/draining. The Shut Off Valve (3) can then be used to unload the accumulator to tank. The Relief Valve (2) prevents the accumulator from exploding in case of a pressure spike since it is disconnected from the main system relief.

Features

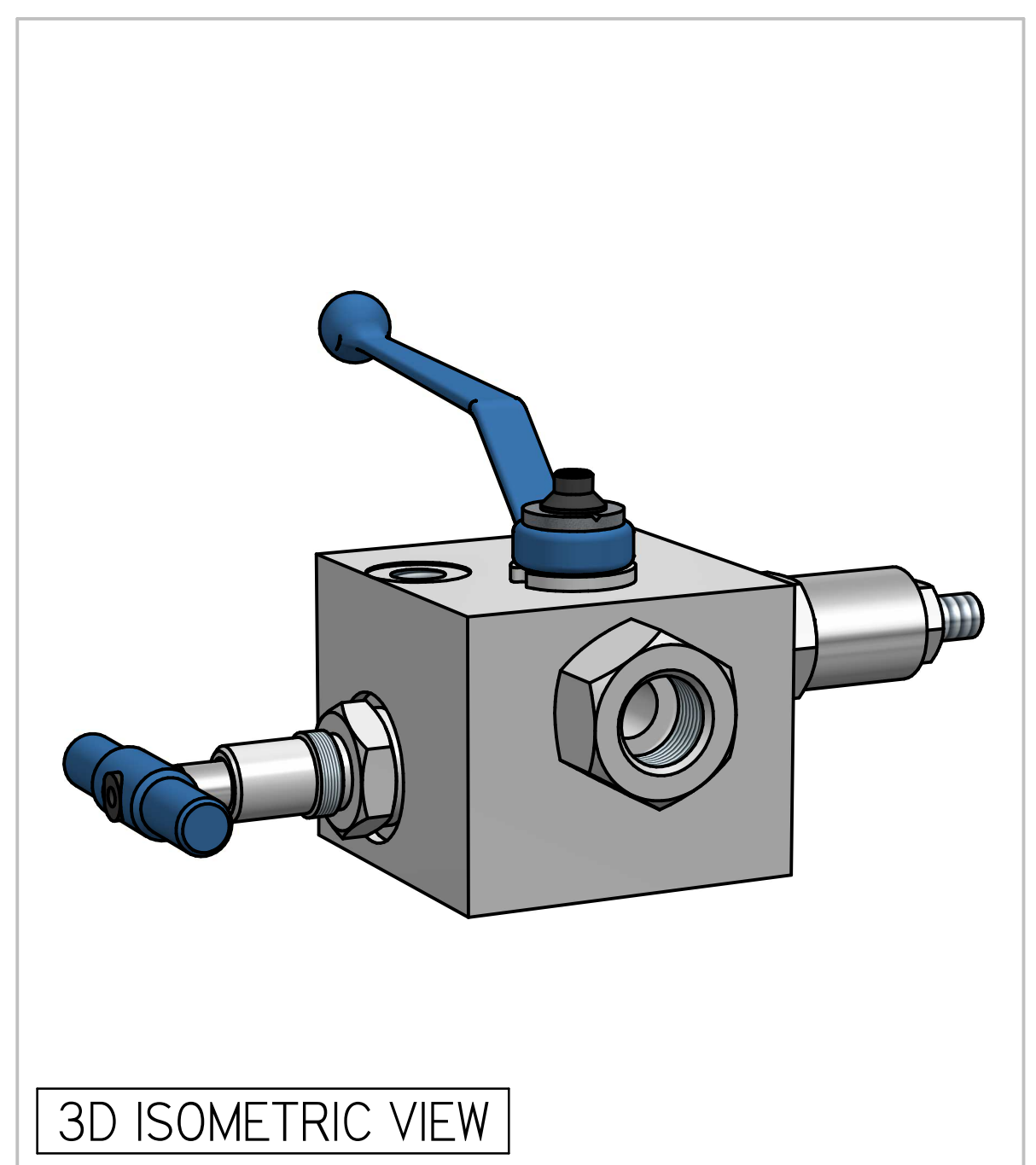
The compact combination of components largely simplifies the connection of an accumulator with minimum space, maintenance and installation required. Considerably fewer pipe fittings are necessary for installation. Additional valves such as pilot-operated check valves, flow control valves and combined flow control and check valves can be fitted to the system connection P. The in-built Relief Valve provides

13

Specifications

Figures based on: Oil Temp = 40°C Viscosity = 40 cSt

Rated Flow	See Graph
Max Pressure	500 bar
Body Material	Zinc plated steel/Stainless Steel
Seat Material	Machined POM
Ball Material	Stainless Steel
Weight	See Chart
Mounting	Line
Seal Kit Number	See Chart
Filtration Level	BS5540/4 Class 18/13 (25µ nominal)
Operating Temp	-20°C to +90°C (Standard Seals)
Leakage	Less than 1 millilitres/min (15 dpm)
Viscosity Range	5 to 500 cSt



3D ISOMETRIC VIEW

Where measurements are critical request certified drawings. We reserve the right to change specifications without notice.

TO ORDER

SBI2 20 N

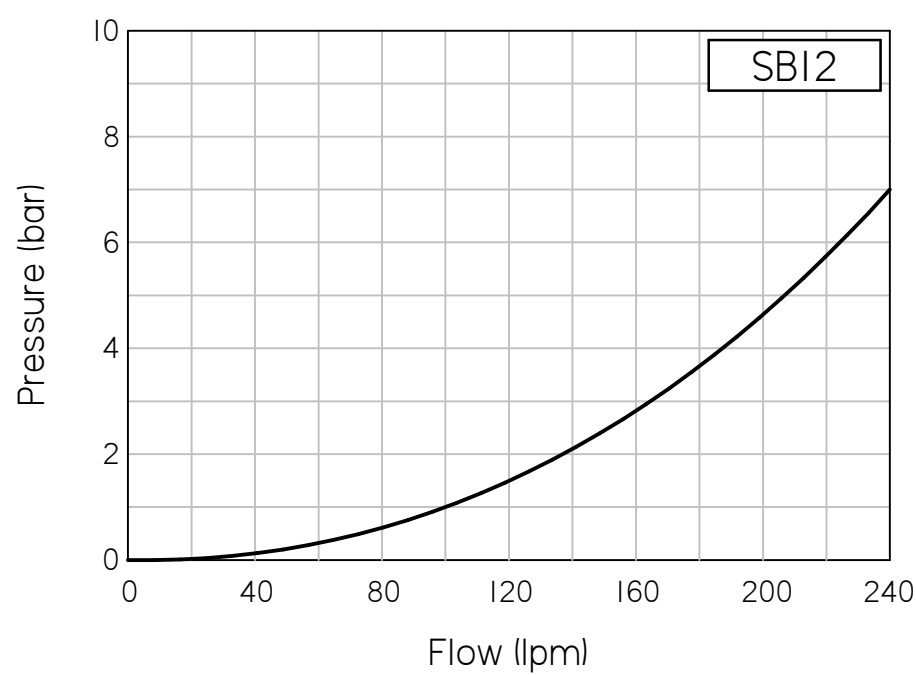
BASIC CODE

PRESSURE RANGE

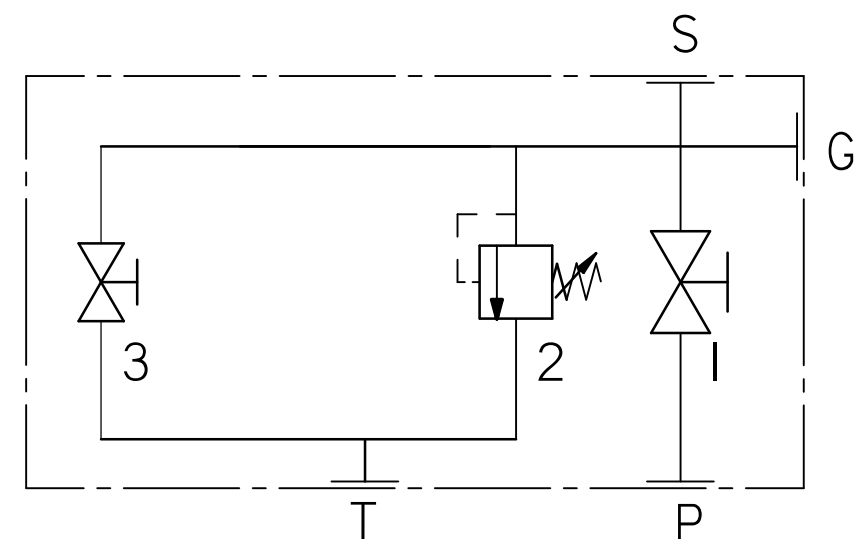
20: 10 to 200 bar. Std setting 100 bar
40: 70 to 4000 bar. Std setting 280 bar

SEAL KIT
N: NITRILE
V: VITON

PRESSURE CHARACTERISTICS

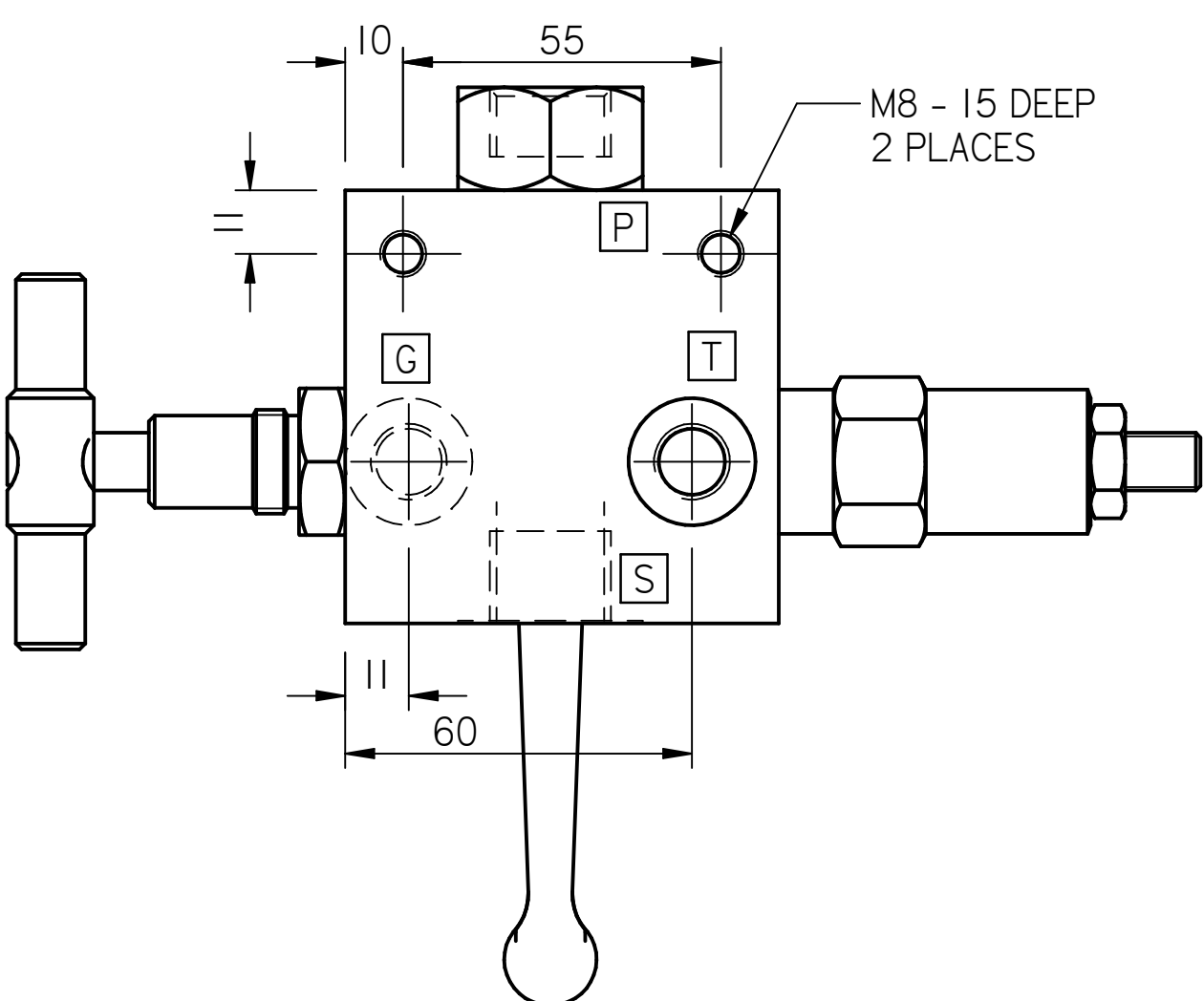
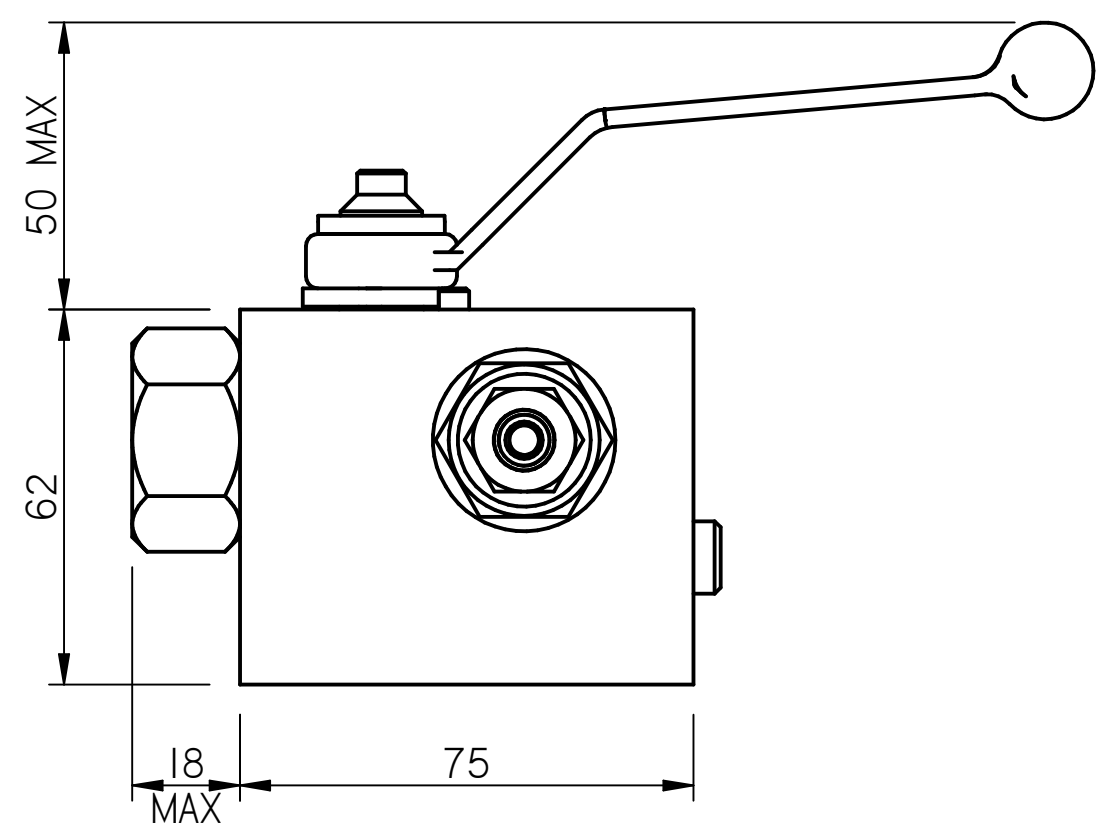
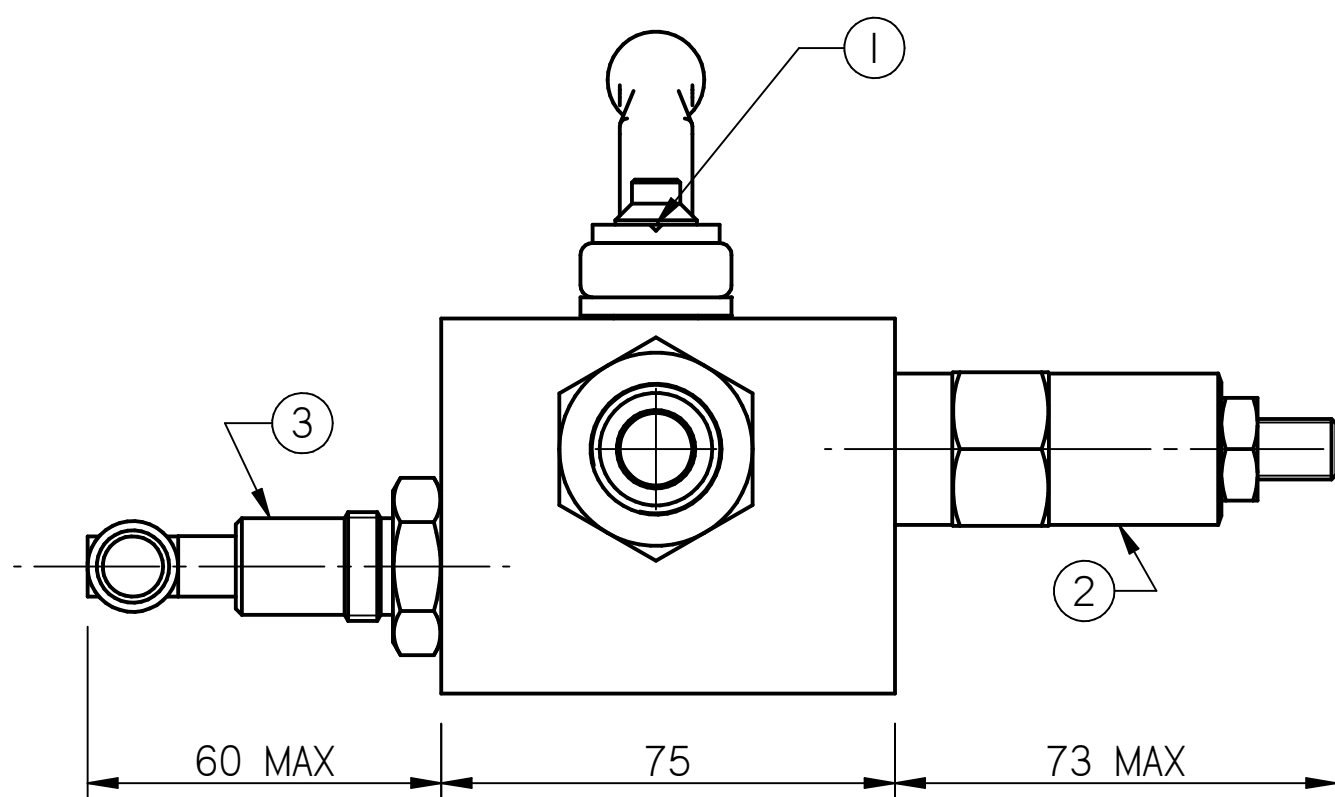


FLUID POWER SYMBOL

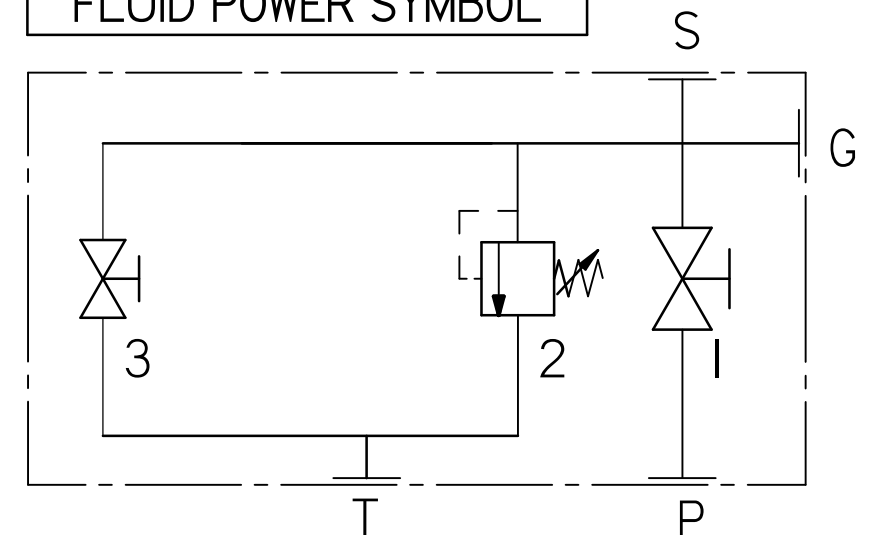


COMPLETE VALVE 1/2" BSP PORTS

BASIC CODE: SBI2



FLUID POWER SYMBOL



CARTRIDGES AND PORTS

Ports	Cartridges
S 1/2" BSP	1 Ball Valve
P 1/2" BSP	2 Relief Valve
T 3/8" BSP	3 Shut Off Valve
G 1/4" BSP	

Where measurements are critical request certified drawings. We reserve the right to change specifications without notice.