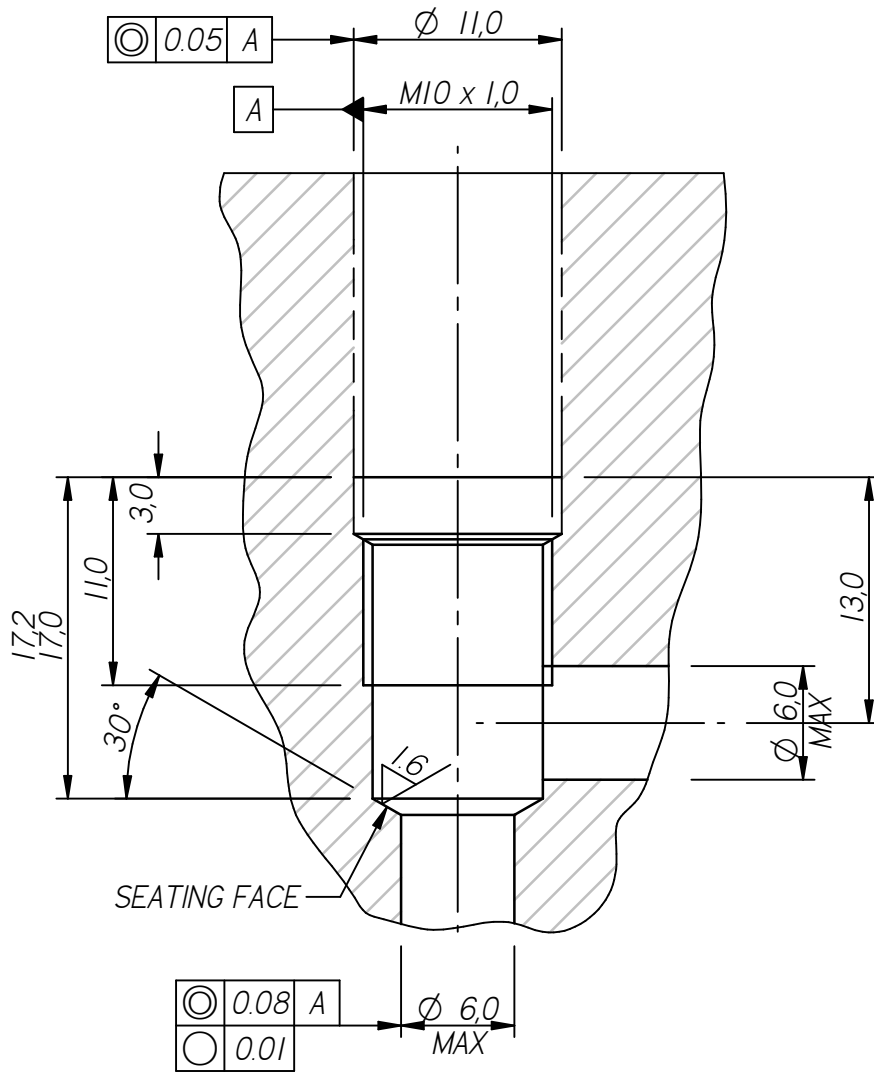


CAVITY THI6927



FORM TOOLS
Form Drill
Form Reamer
Thread Tap

-
FRA1097
M10 x 1,0

CARTRIDGES
SH10

DATASHEET
5-710

Where measurements are critical request certified drawings. We reserve the right to change specifications without notice.