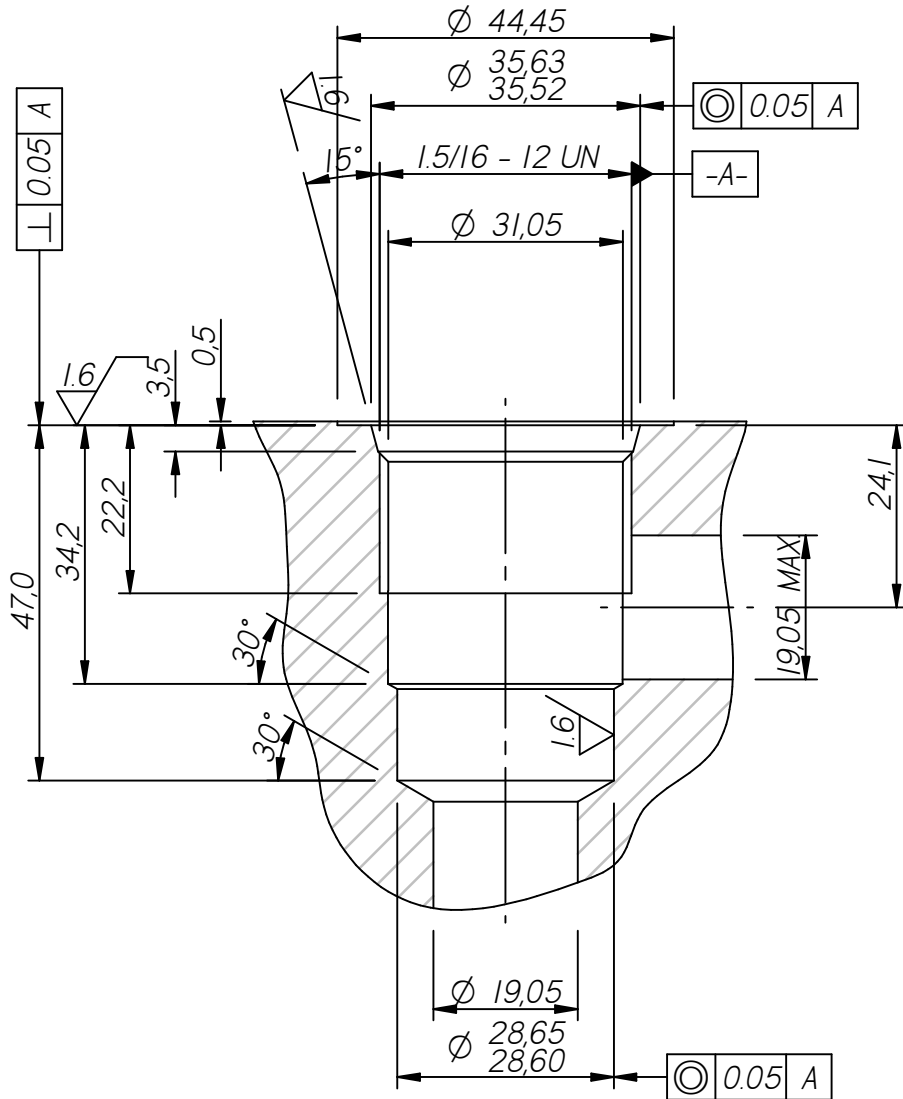


CAVITY SAEI6-2



FORM TOOLS

Form Drill	0.000
Form Reamer	0.000
Thread Tap	1.5/16" - 12 UN

CARTRIDGES

AR 16
CVI 16
TVC 16

DATASHEET

1-321
5-130
6-230

Where measurements are critical request certified drawings. We reserve the right to change specifications without notice.