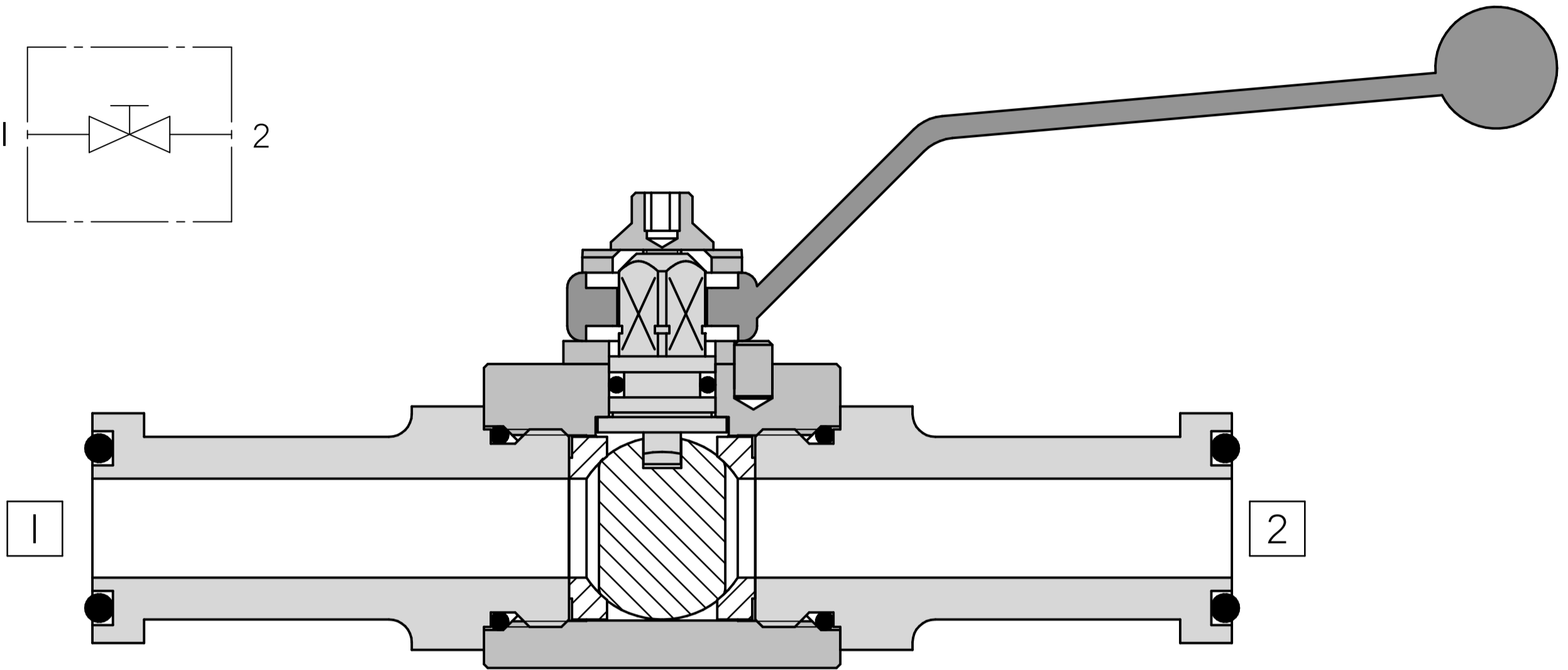
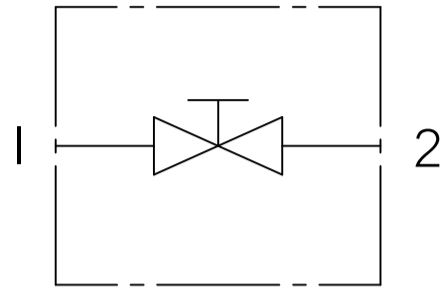


FLUID POWER SYMBOL



6

Application

Weldable Ball valves are used to manually open or close the flow into a hydraulic circuit. These valves find use in hazardous fluid conveyance to shut off a particular line. They may also be used for tamper proof fitting in circuits where non-permanent connections should not be used

Operation

Turning the handle clockwise or anti clockwise closes or opens the valve to flow respectively. The stop disk can be held in place by the dowel if a particular setting has to be fool proofed.

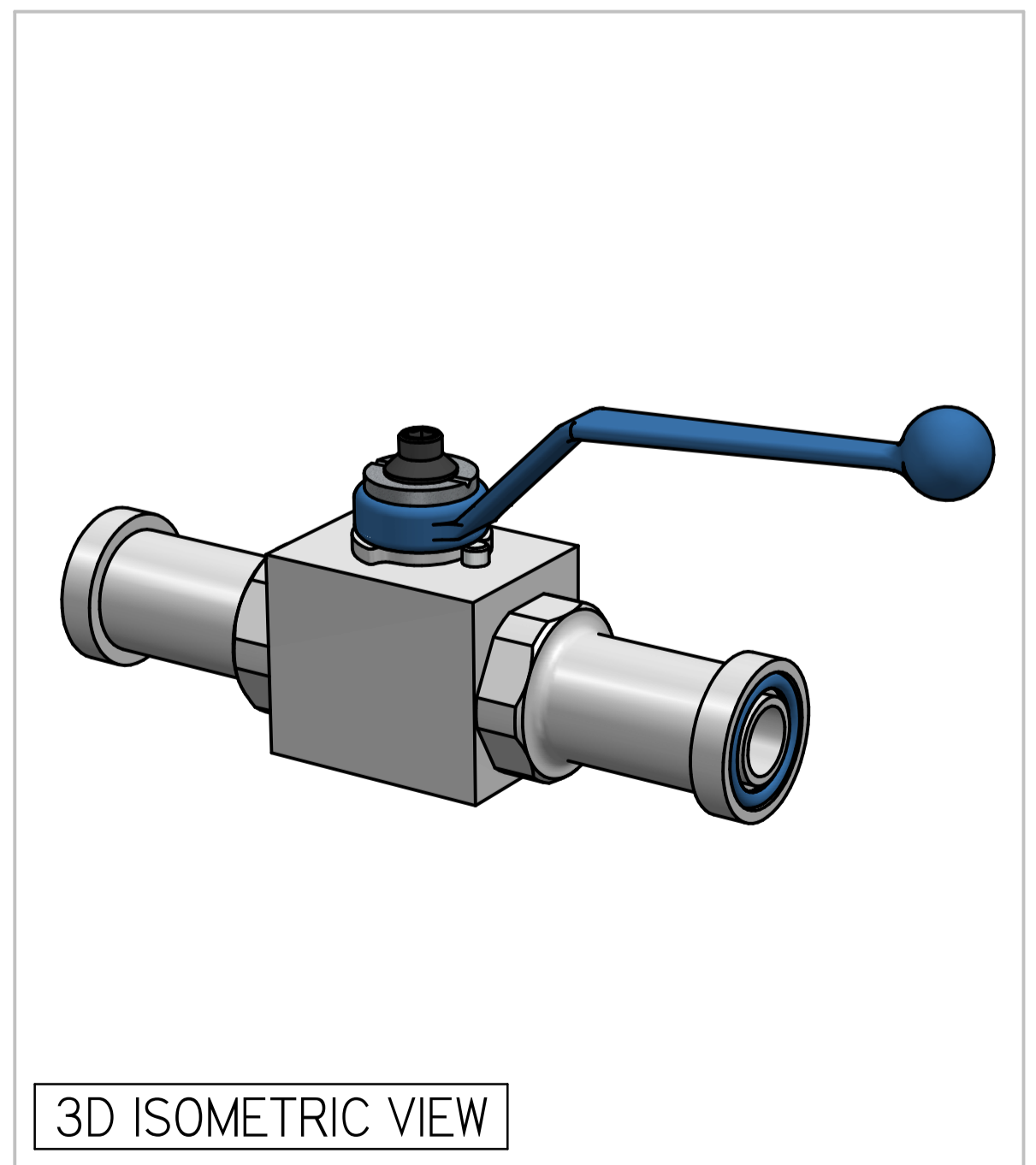
Features

The line mounted three part bodies come with standard pipe threading to allow easy installation in any hydraulic circuit. All steel construction ensures a reliable and trouble free life. Black POM (Polyoxymethylene) and MoS₂ (Molybdenum Disulphide) seats give a smooth operating feel.

Specifications

Figures based on: Oil Temp = 40°C Viscosity = 40 cSt

Rated Flow	See Graph
Max Pressure	500 bar
Body Material	Zinc plated steel/Stainless Steel
Seat Material	Machined POM
Ball Material	Stainless Steel
Weight	See Chart
Mounting	Line
Seal Kit Number	See Chart
Filtration Level	BS5540/4 Class I8/I3 (25µ nominal)
Operating Temp	-20°C to +90°C (Standard Seals)
Leakage	Less than 1 millilitres/min (15 dpm)
Viscosity Range	5 to 500 cSt

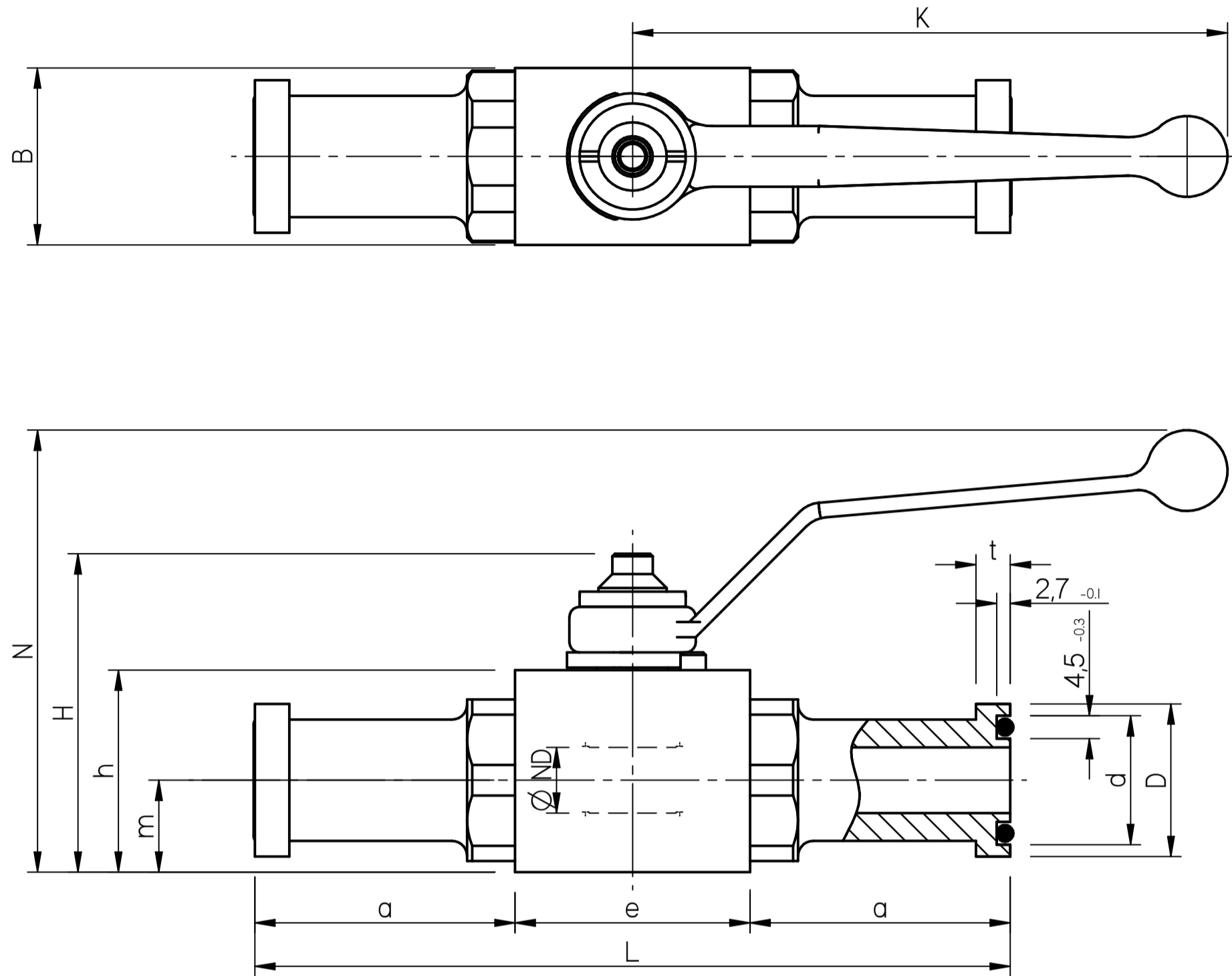


3D ISOMETRIC VIEW

Where measurements are critical request certified drawings. We reserve the right to change specifications without notice.

COMPLETE VALVE VARIOUS BSP PORTS

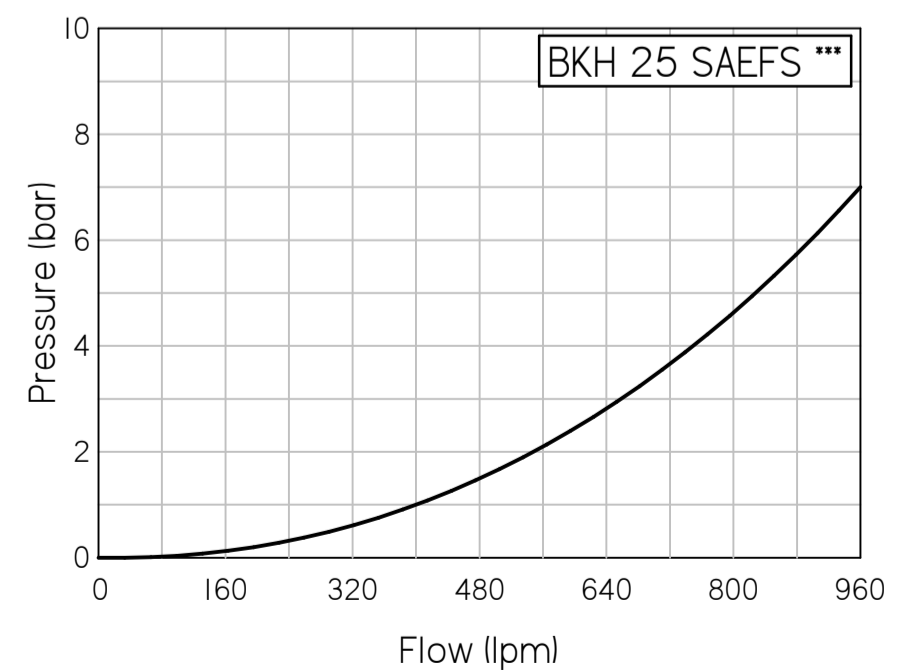
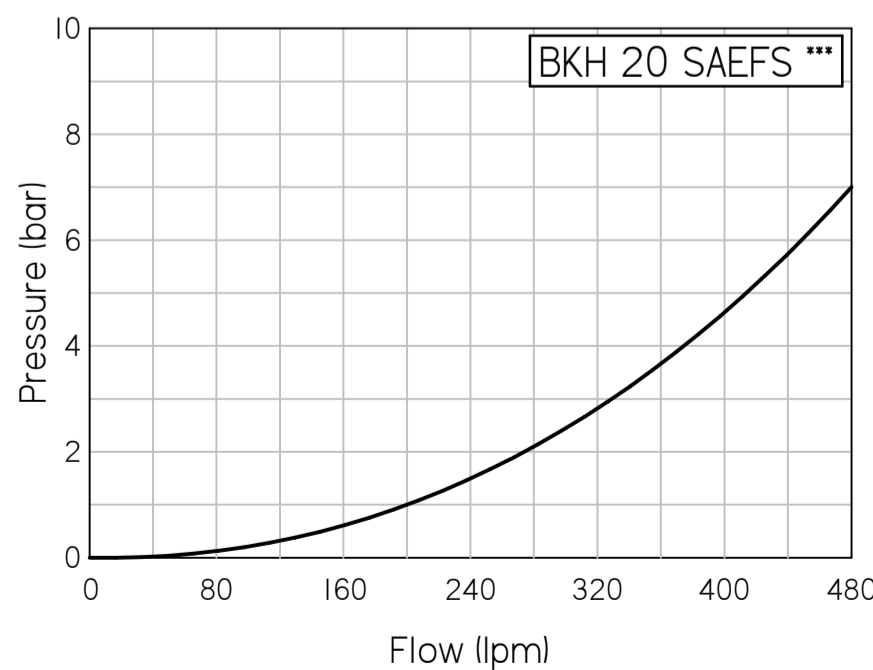
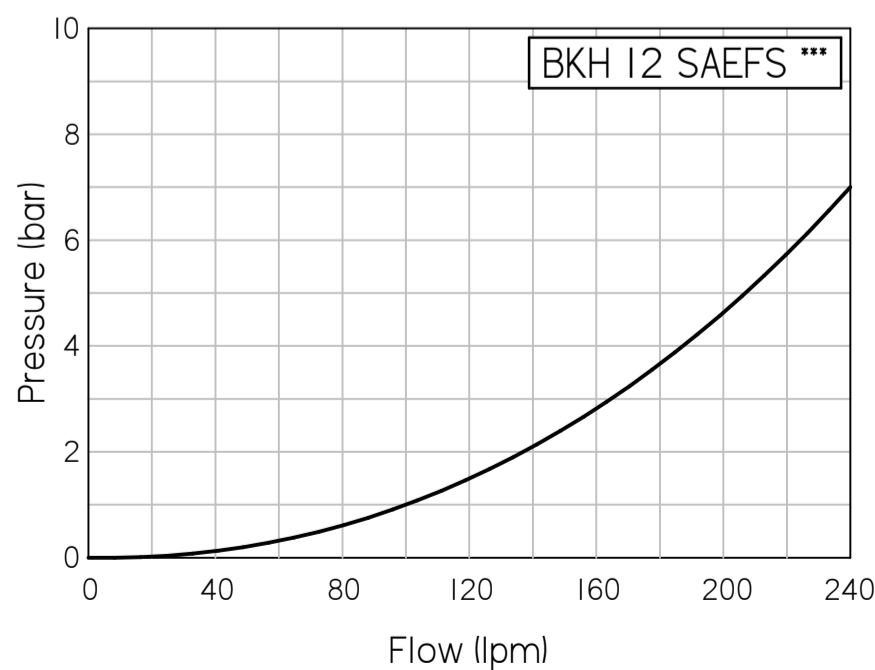
BASIC CODE: BKH ***



6

Ordering Code	Pressure	ND	a	e	L	m	h	H	N	B	K	d	D	t	Weight
BKH 12 SAEFS210	210 bar	13	51.5	48	151	17.5	32	60	81	32	118	25.5	30.2	6.8	0,85 kgs
BKH 12 SAEFS420	420 bar	13	51.5	48	151	17.5	32	60	81	32	118	25.5	31.8	7.9	0,85 kgs
BKH 20 SAEFS210	210 bar	20	50	62	162	19	49	62	95	49	118	31.9	38.1	6.8	2,10 kgs
BKH 20 SAEFS420	420 bar	20	50	62	162	19	49	62	95	49	118	31.9	41.3	8.9	2,10 kgs
BKH 25 SAEFS210	210 bar	25	56	68	178	24.5	58	76	80	58	193	39.8	44.4	8.1	2,85 kgs
BKH 25 SAEFS420	420 bar	25	56	68	178	24.5	58	76	80	58	193	39.8	47.6	9.6	2,85 kgs

PRESSURE CHARACTERISTICS



Where measurements are critical request certified drawings. We reserve the right to change specifications without notice.