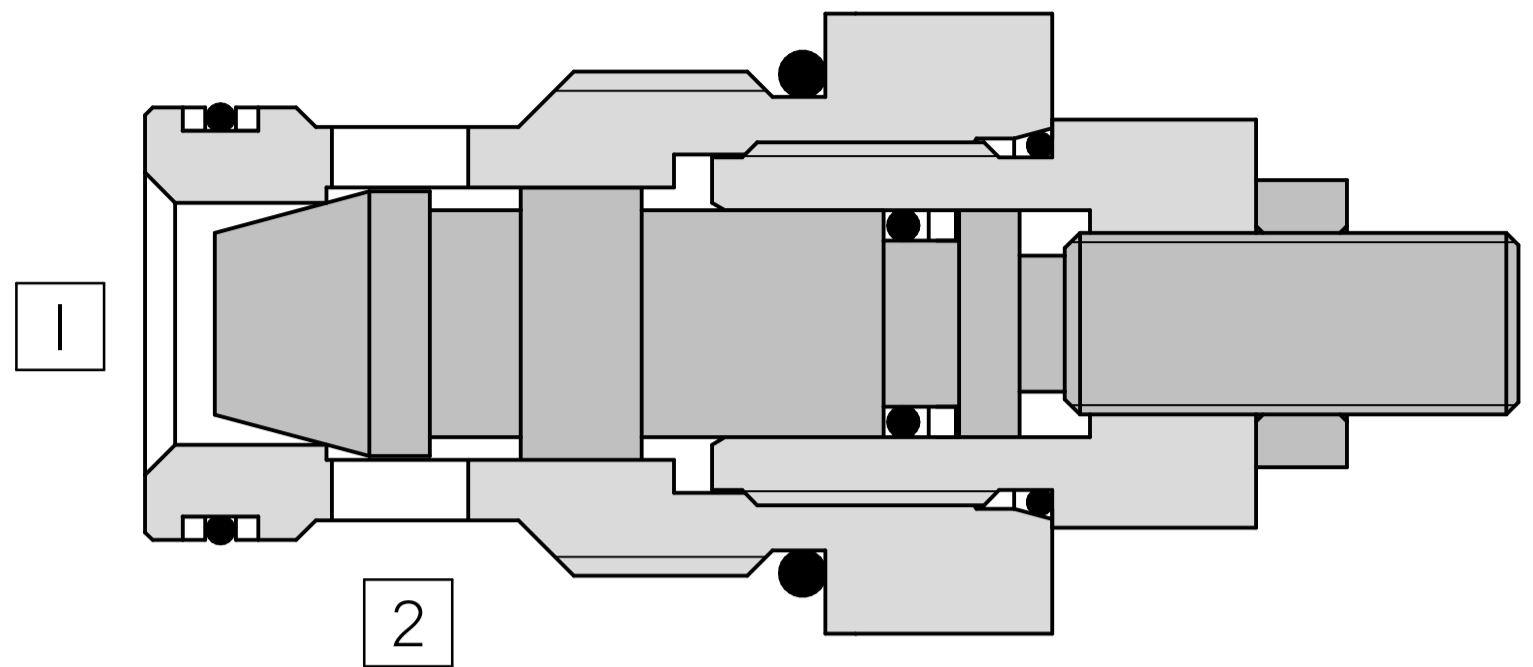
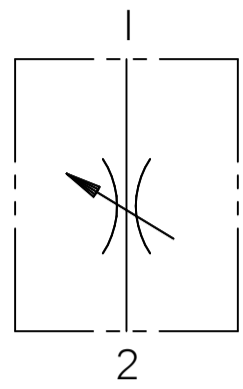
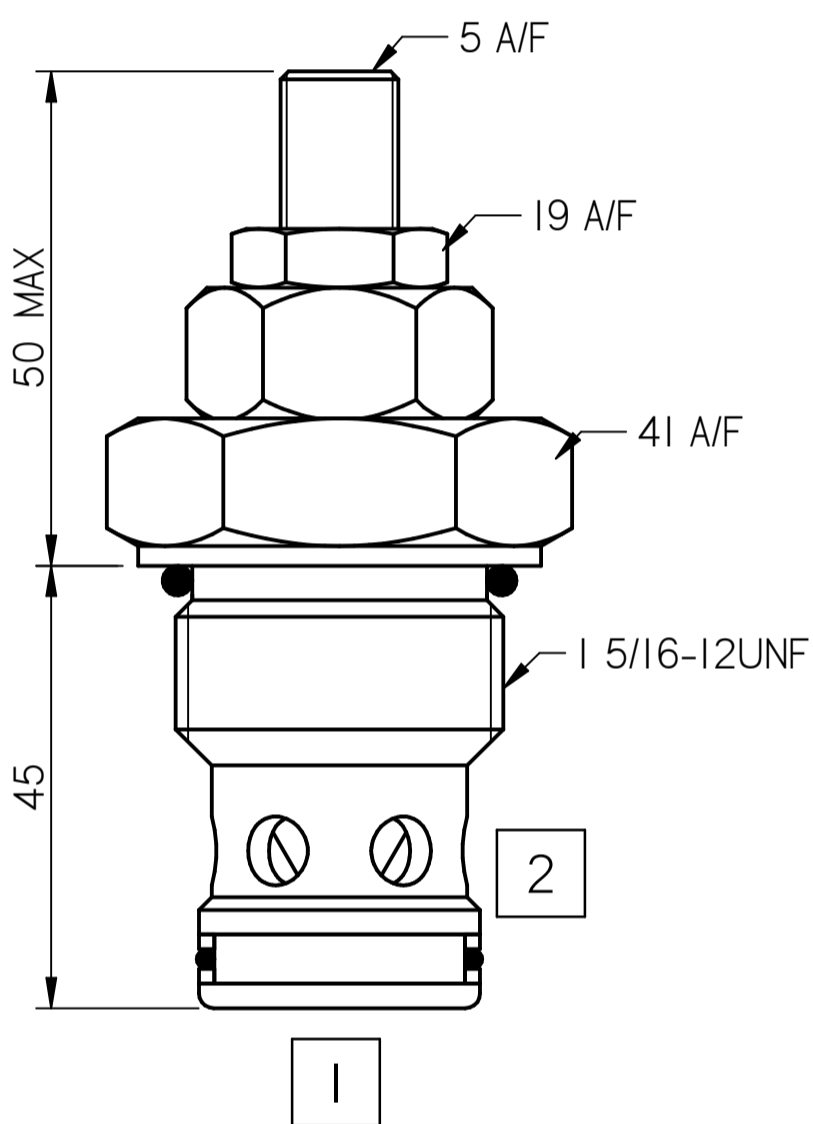


FLUID POWER SYMBOL



6



Application

Throttle valves can be used where volume flows have to be infinitely controlled in both directions without taking pressure fluctuations into account. The screwed cartridge design is ideal for installing in manifold blocks or in CETOP sandwich plates

Features

Hardened and ground spindles with machined and hardened seats give excellent flow characteristics with zero leakage. Installation is quick and easy due to the simplicity of the cavities.

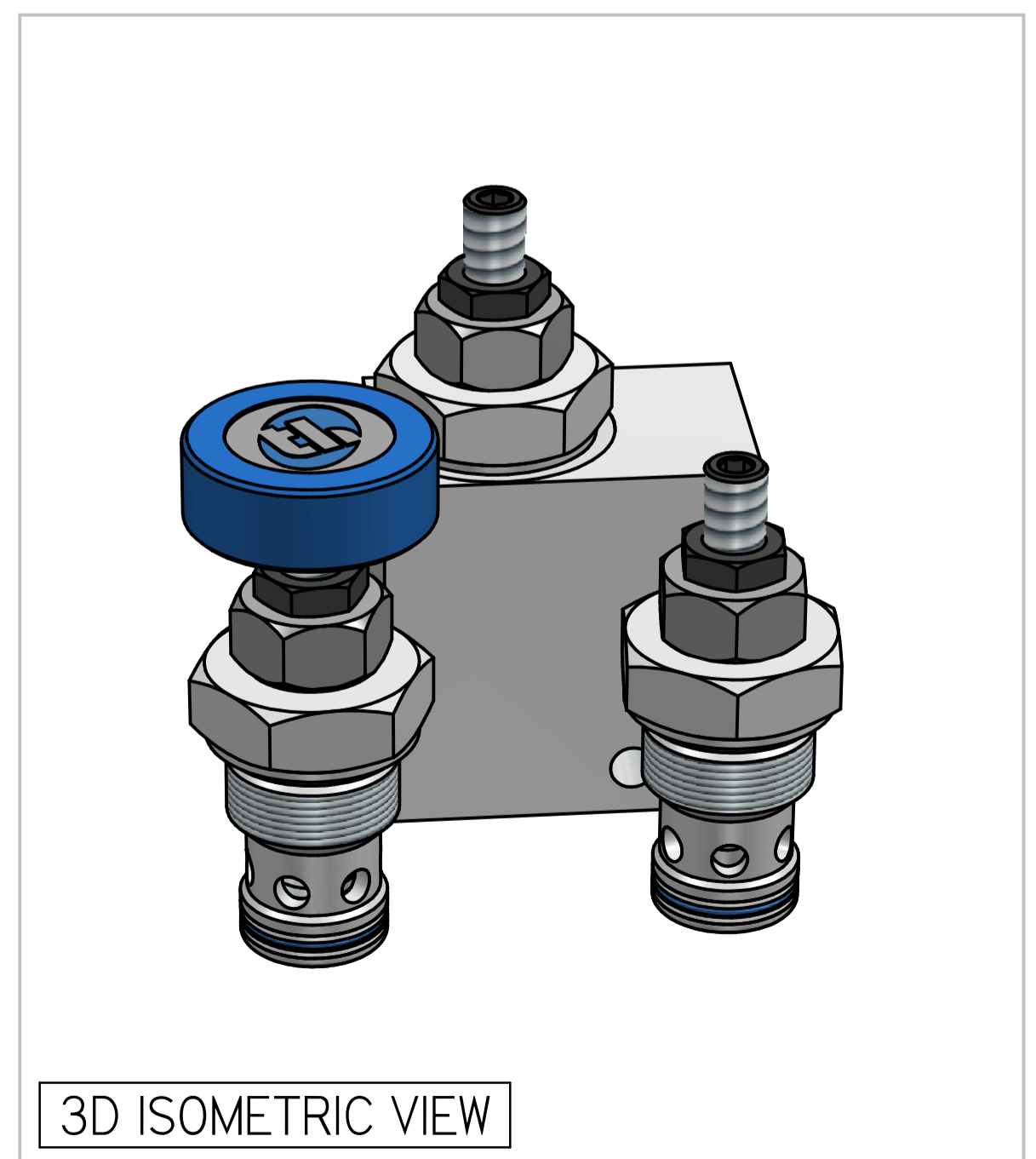
Operation

A fine tread on the adjustable throttle reveals an annular gap. The adjusted throttle cross-section produces a pressure drop which determines the volume flow. The volume flow is zero when the throttle is screwed in (the metal sealing edge seals completely). The valve flow is bidirectional.

Specifications

Figures based on: Oil Temp = 40°C Viscosity = 40 cSt

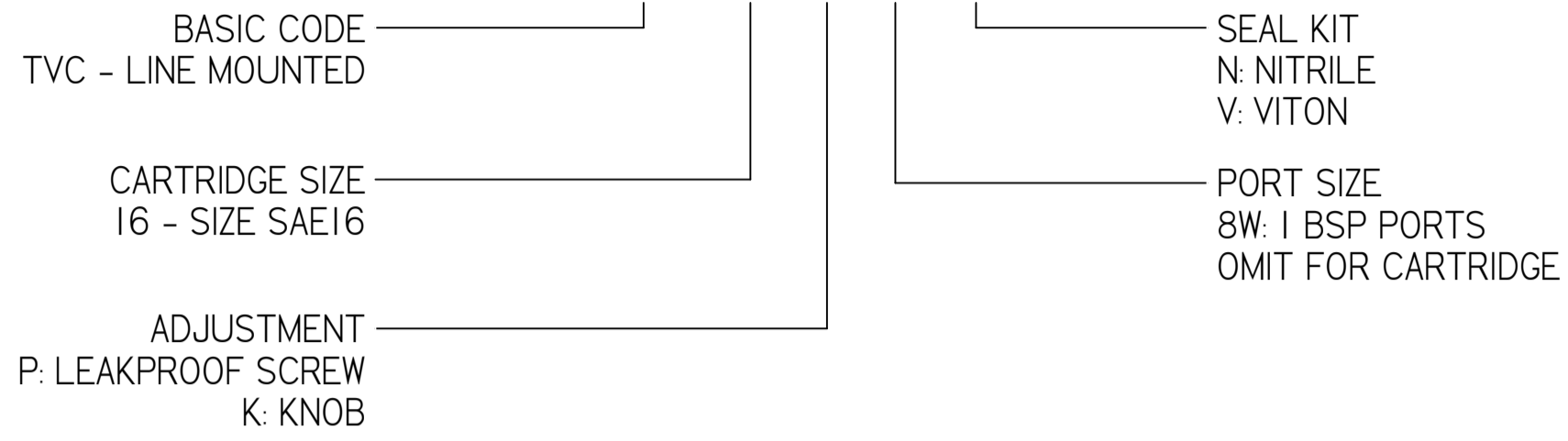
Max Flow	180 lpm
Max Pressure	350 bar
Cartridge Material	Working parts : Hardened, ground steel External surfaces : Zinc plated
Weight (Cartridge only)	TVC 16: 0.450 kg
Cavity Number	SAE16-2 (Refer Cavities Section)
Manifold Material	Aluminium (upto 250 bar) Add Suffix '729' for SG Iron (350 bar)
Torque into Cavity	100 Nm
Mounting	Line
Seal Kit Number	SKTVC16 (Nitrile) SKTVC16 V (Viton®)
Filtration Level	BS5540/4 Class 18/13 (25µ nominal)
Operating Temp	-20°C to +90°C (Standard Seals)
Leakage	Less than 0.3 millilitres/min (5 dpm)
Viscosity Range	5 to 500 cSt



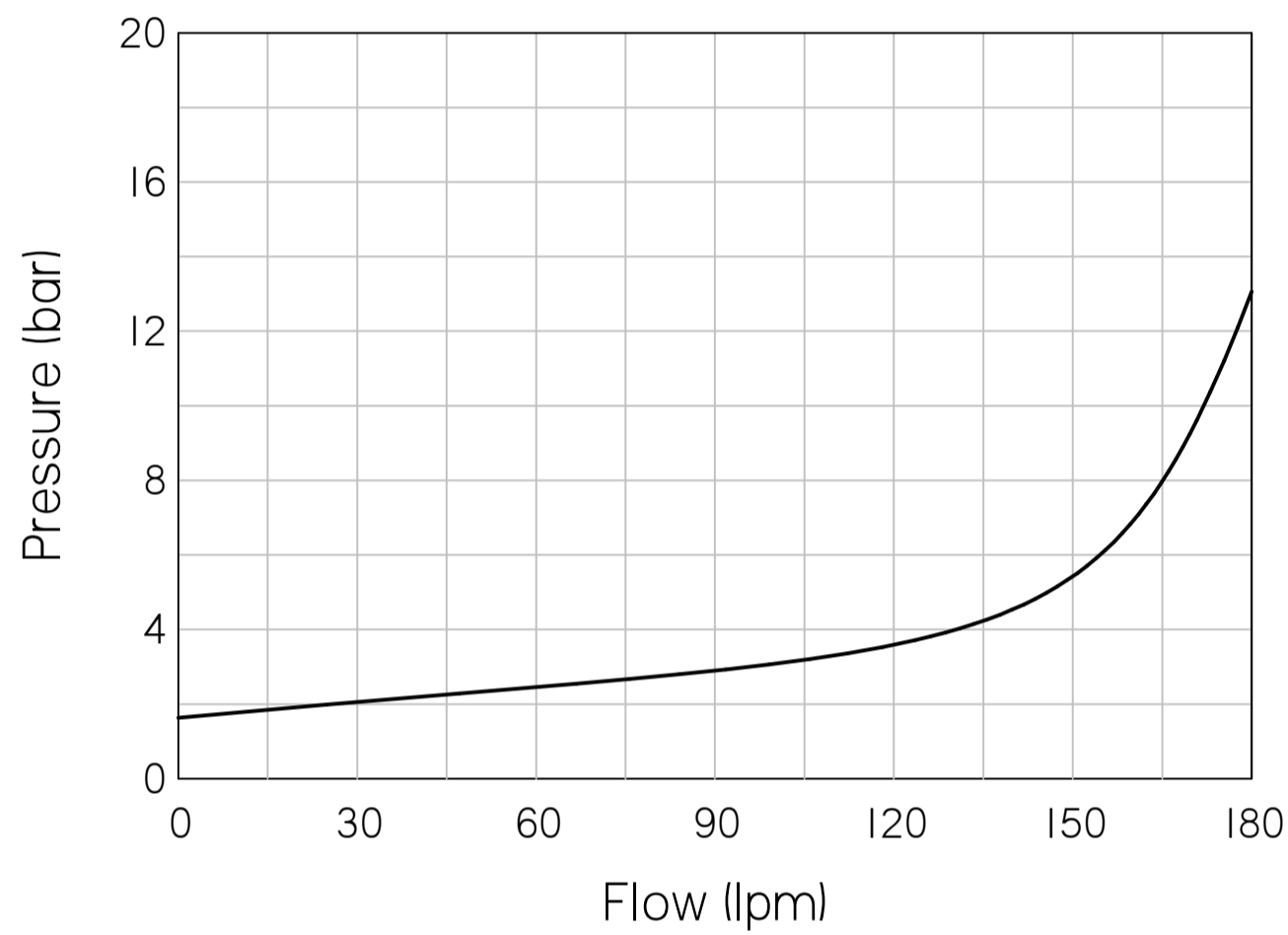
Where measurements are critical request certified drawings. We reserve the right to change specifications without notice.

TO ORDER

TVC 16 K 8W N



PRESSURE CHARACTERISTICS

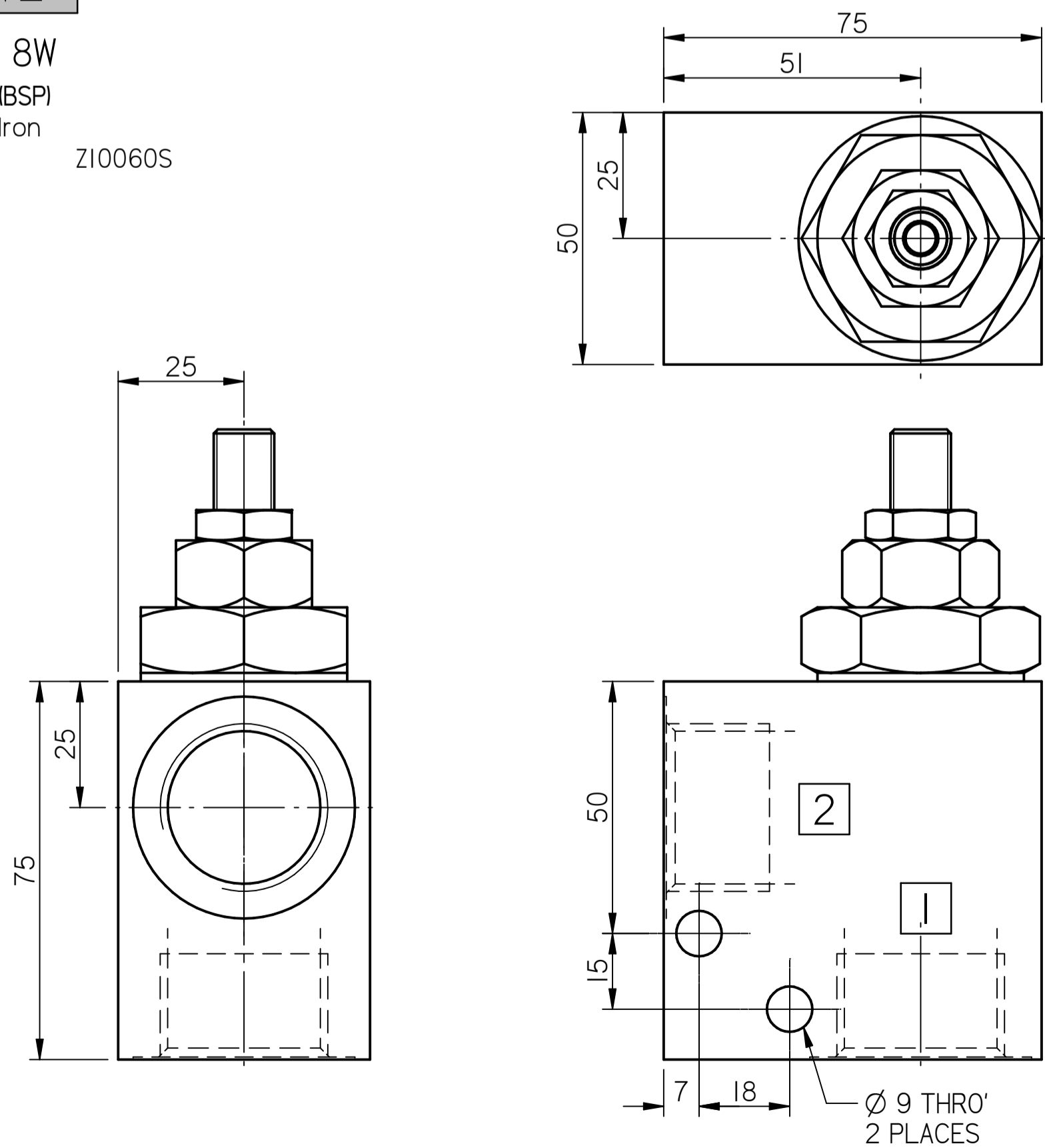
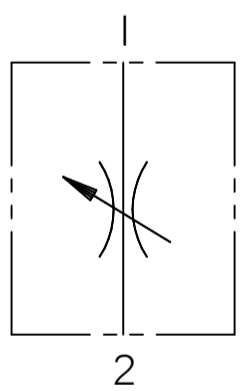


COMPLETE VALVE 1" BSP PORTS

BASIC CODE: TVC16 8W

ONLY Body Part Numbers (BSP)

Aluminium	SG Iron
1" Z10060	1" Z10060S



Where measurements are critical request certified drawings. We reserve the right to change specifications without notice.