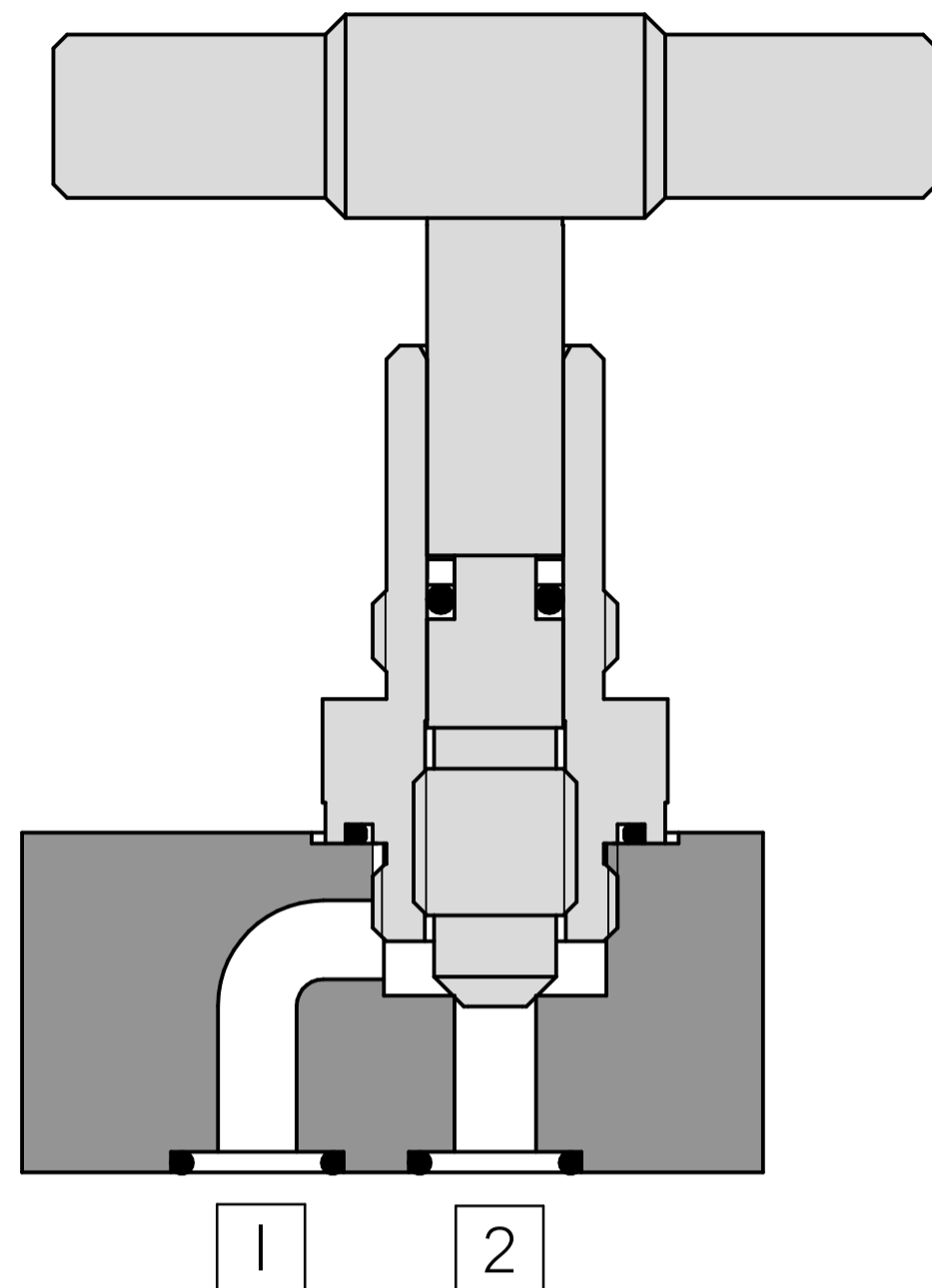
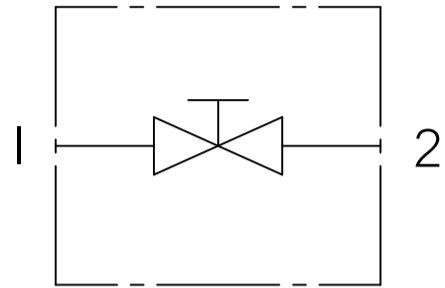


FLUID POWER SYMBOL



6

Application

Subplate mounted Shut Off valves are used to manually open or close the flow into a hydraulic circuit. These valves find use in isolation of pressure gauges or to shut off a particular line. The valves can also be used as a safety shut off or to unload pumps at zero pressure where there is a danger of a load spike on startup.

Operation

Turning the handle clockwise or anti clockwise closes or opens the valve to flow respectively. The volume flow is zero when the throttle is screwed in (the metal sealing edge seals completely). The valve flow is bidirectional.

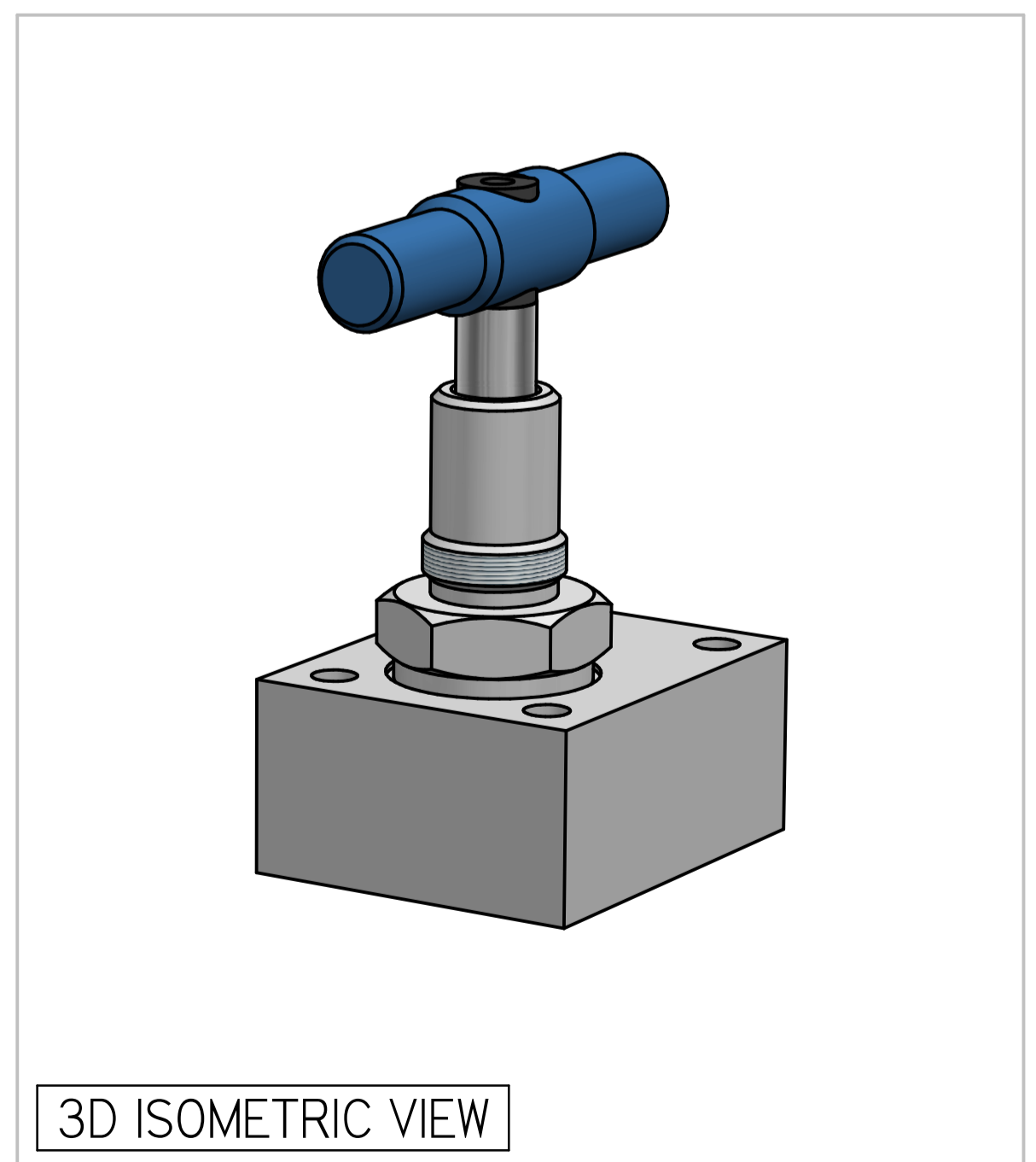
Features

Subplate mounted bodies come in standard interfaces to allow easy installation in any hydraulic circuit. All steel construction and hardened working parts ensure a reliable and trouble free life.

Specifications

Figures based on: Oil Temp = 40°C Viscosity = 40 cSt

Rated Flow	See Graph
Max Pressure	350 bar
Cartridge Material	Working parts : Hardened, ground steel External surfaces : Zinc plated
Weight	See Table
Material of Construction	Steel
Mounting	Subplate
Seal Kit Number	See Table
Filtration Level	BS5540/4 Class I8/I3 (25µ nominal)
Operating Temp	-20°C to +90°C (Standard Seals)
Leakage	Less than 0.3 millilitres/min (5 dpm)
Viscosity Range	5 to 500 cSt

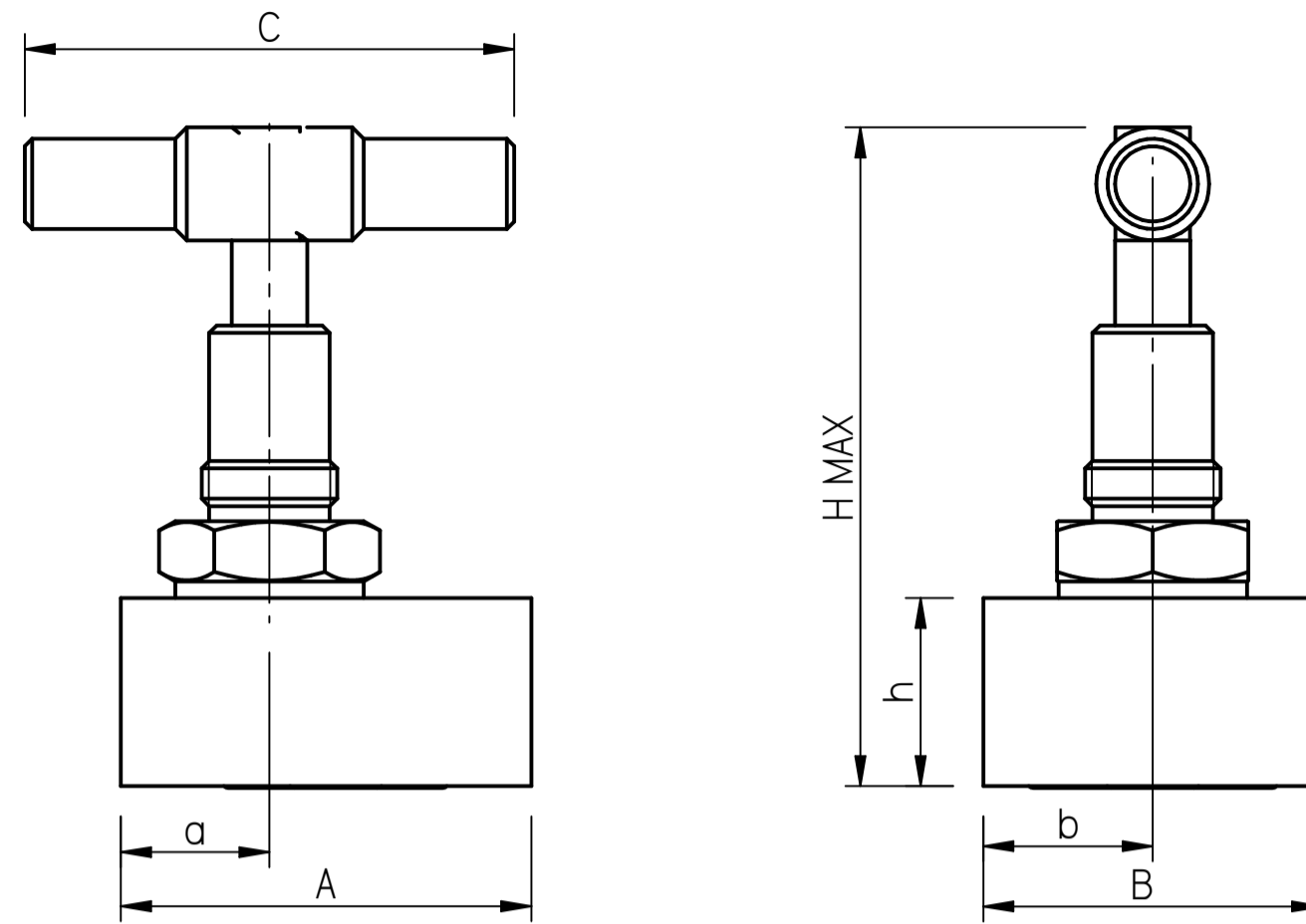


3D ISOMETRIC VIEW

Where measurements are critical request certified drawings. We reserve the right to change specifications without notice.

COMPLETE VALVE SUBPLATE

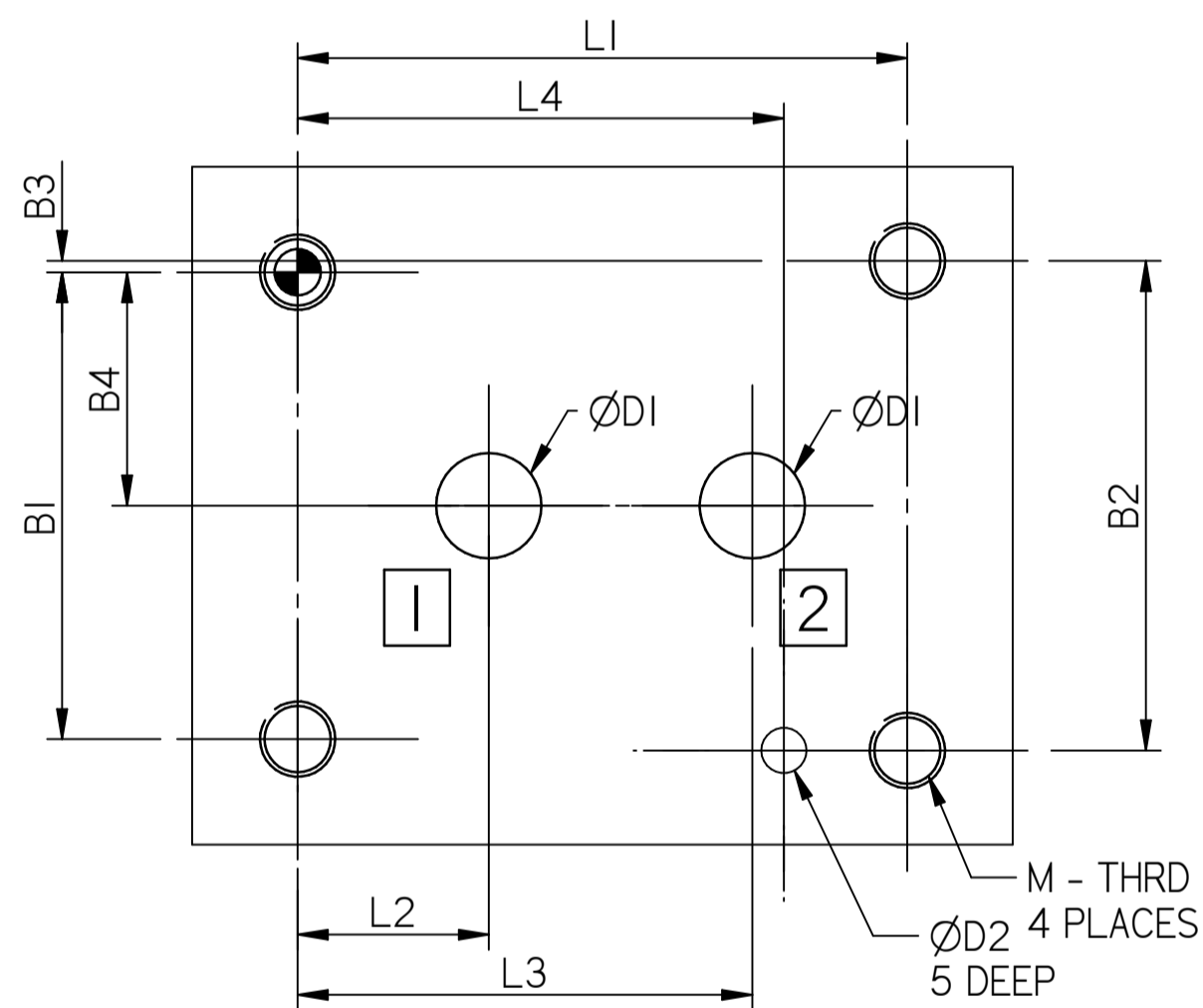
BASIC CODE: SOVG**



Ordering Code	Pressure	Flow	A	a	B	b	C	H	h	Seal Kit	Weight
SOVG06	350 bar	40 lpm	54.5	35	45	23.5	65	85	25	SKSOVG06	1.20 Kg
SOVG10	350 bar	80 lpm	80	47.8	67	33.5	80	110	37	SKSOVG10	2.10 Kg

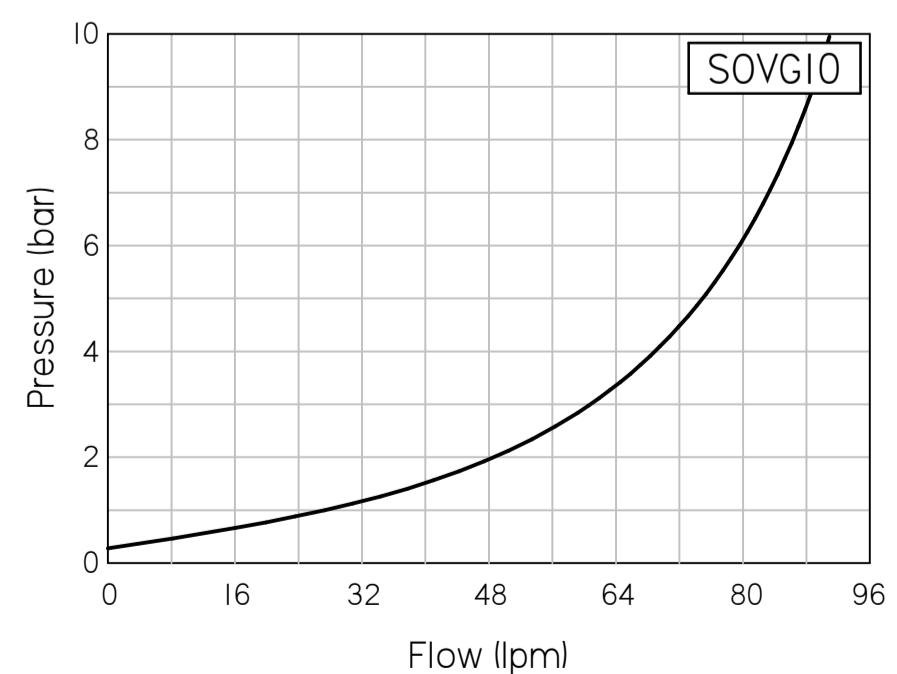
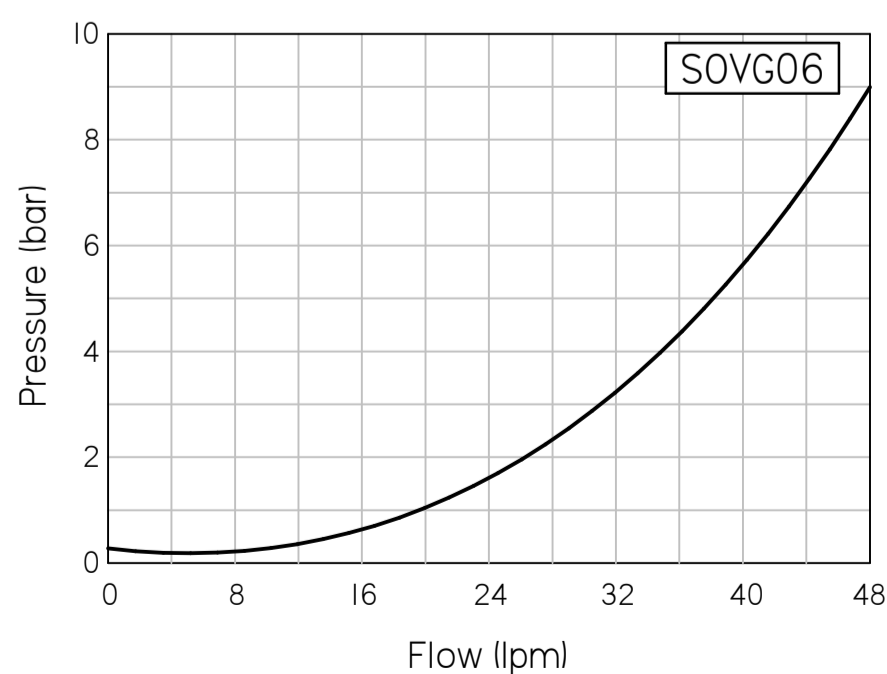
6

SUBPLATE DIMENSIONS



SIZE	L1	L2	L3	L4	B1	B2	B3	B4	ØD1	ØD2	M
NG06	40.5	12.7	30.2	33	31	32.5	0.75	15.5	7.5	4	M5 – 12 DEEP
NG10	54.0	16.7	37.3	47.8	46.0	46.0	-	21.4	11.2	6	M6 – 15 DEEP

PRESSURE CHARACTERISTICS



Where measurements are critical request certified drawings. We reserve the right to change specifications without notice.