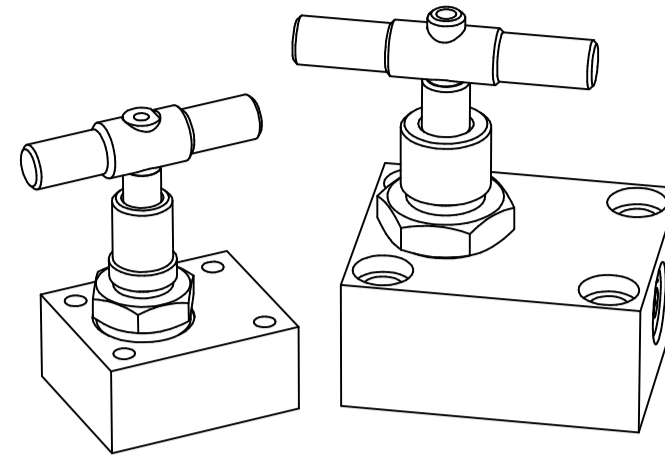
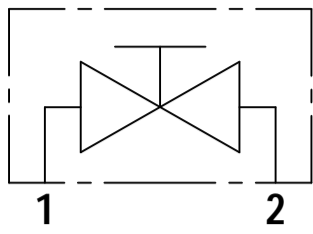




FLUID POWER SYMBOL



APPLICATION

Subplate mounted Shut Off valves are used to manually open or close the flow into a hydraulic circuit. These valves find use in isolation of pressure gauges or to shut off a line. The valves can also be used as a safety shut off or to unload pumps at zero pressure where there is a danger of a load spike on startup.

OPERATION

Turning the handle clockwise or anti clockwise closes or opens the valve to flow respectively. The volume flow is zero when the throttle is screwed in (the metal sealing edge seals completely). The valve flow is bidirectional.

FEATURES

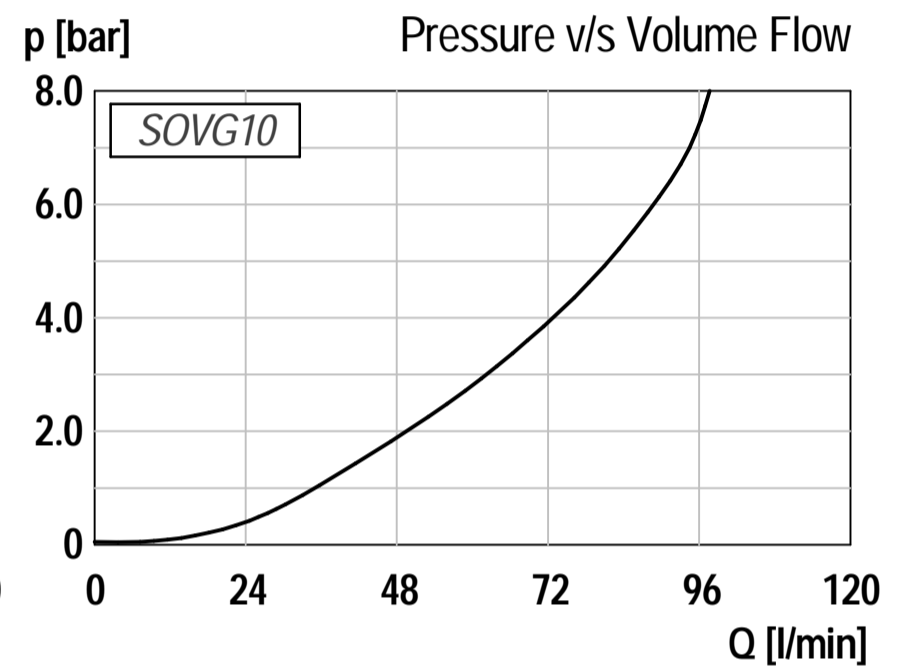
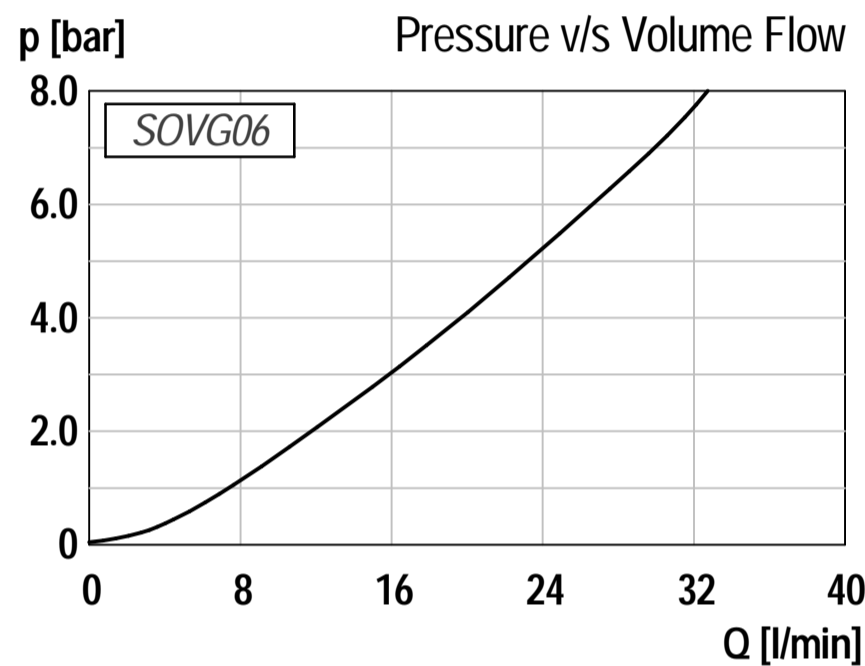
Subplate mounted bodies come in standard interfaces to allow easy installation in any hydraulic circuit. All steel construction and hardened working parts ensure a reliable and trouble free life.

DIMENSIONS

CHARACTERISTICS. Figures Based on: Oil Temp = 40°C, Viscosity = 40 cSt

6

See chart



General Specifications

Description	flow control valve		
Construction	parts-in-body construction		
Mounting	subplate mounting		
Installation Position	any		
Tightening Torque	Not applicable		
Ambient Temp.	-20°C to +50°C		
Construction Material	Working parts: Hardened, ground steel External surfaces: Zinc plated		
Cavity Number	Not applicable		
Weight	SOVG06:	0.40 kg	
	SOVG10:	0.70 kg	

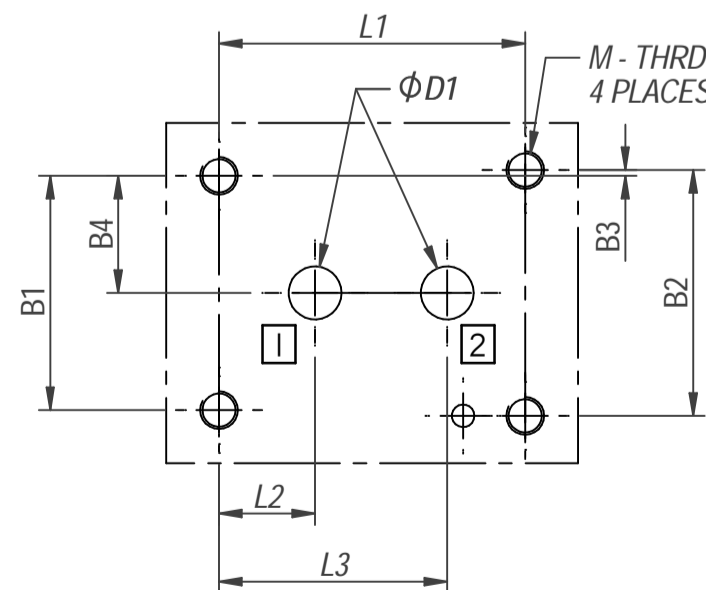
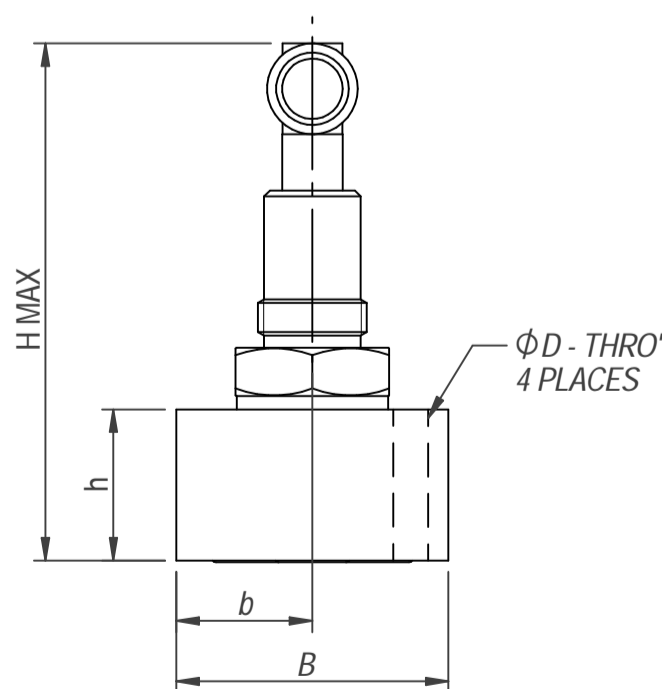
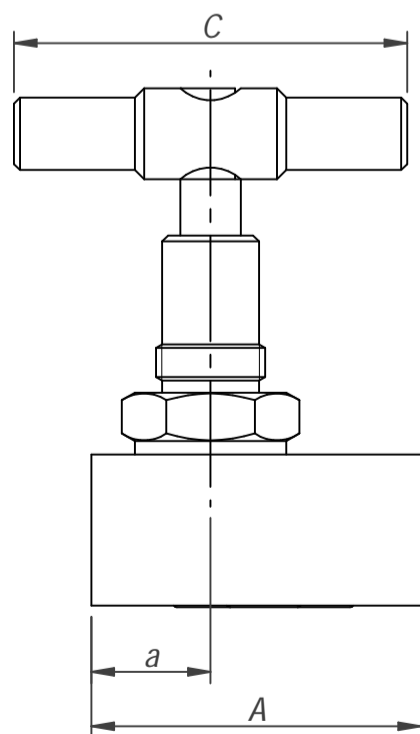
Hydraulic Specifications

Hydraulic Fluid	Mineral oils. Contact sales office for other fluids.
Max. Pressure	350 bar
Rated Flow	See chart
Max. Contamination Level	BS5540/4 Class 18/16/13 (25µ nominal)
Viscosity Range	5 to 500 cSt
Leakage Flow	Less than 0.3 ml/min (5 dpm)
Hydraulic Fluid Temp.	-20°C to +90°C (Standard Seals)
Mounting	Line
Peak Pressure	400 bar
Max. Flow	See chart
Seal Kit Number	Not applicable

DIMENSIONS

SUBPLATE

BASIC CODE: SOVG



Order Code	A	a	B	b	C	H	h	D
	(mm)	(mm)	(mm)	(mm)	(mm)	(mm)	(mm)	(mm)
SOVG 06	54.5	19.7	45.0	22.5	65.0	90.0	25.0	5.5
SOVG 10	80.0	22.3	67.0	33.5	80.0	110.0	37.0	11.0

Size	L1	L2	L3	L4	B1	B2	B3	B4	D1	M
	(mm)	(mm)	(mm)	(mm)	(mm)	(mm)	(mm)	(mm)	(mm)	(mm)
06	40.5	12.7	30.2	33.0	31.0	32.5	0.75	15.5	7.5	M5
10	60.5	12.7	37.3	47.8	47.8	47.8	-	23.9	11.2	M10

Blank Page