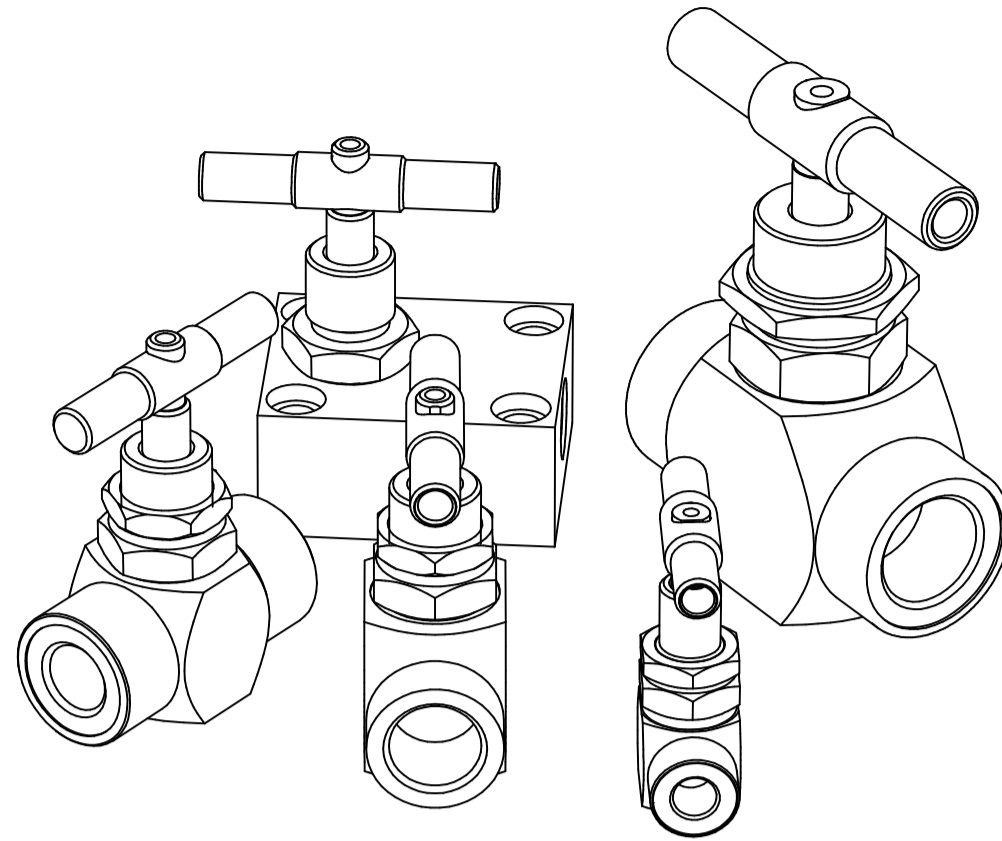
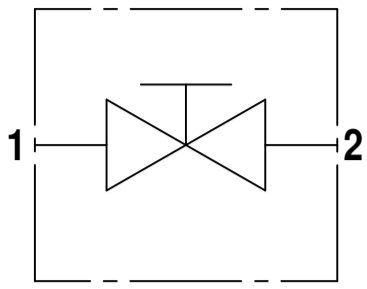




SOV

FLUID POWER SYMBOL



6

APPLICATION

Line mounted Shut Off valves are used to manually open or close the flow into a hydraulic circuit. These valves find use in isolation of pressure gauges or to shut off a particular line. The valves can also be used as a safety shut off or to unload pumps at zero pressure where there is a danger of a load spike on startup.

DIMENSIONS

See chart

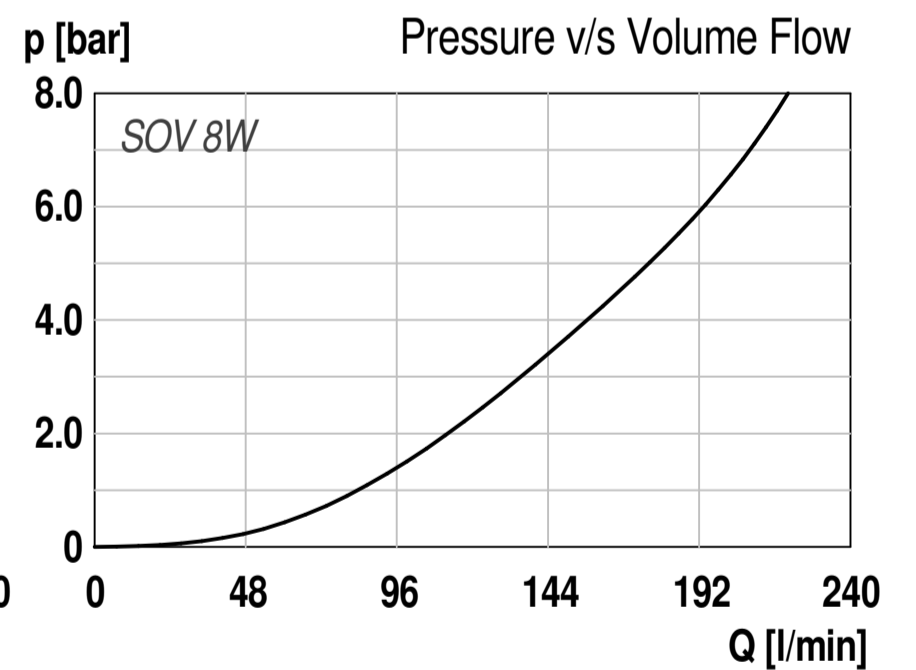
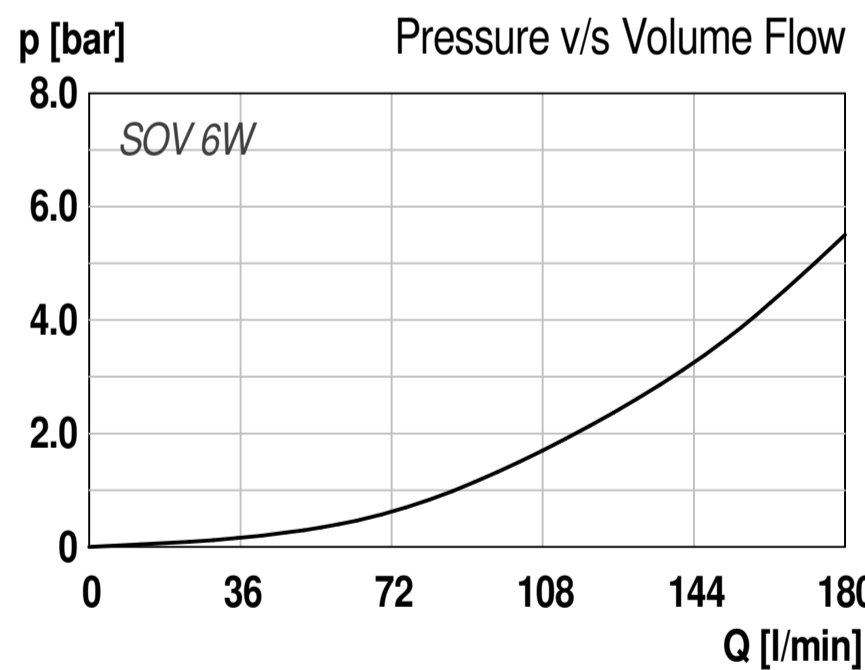
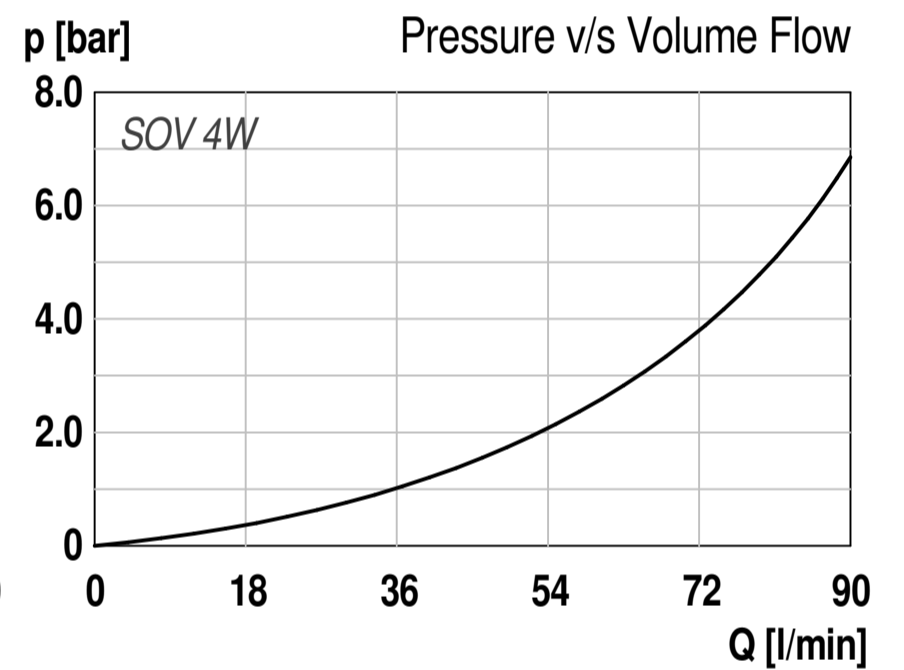
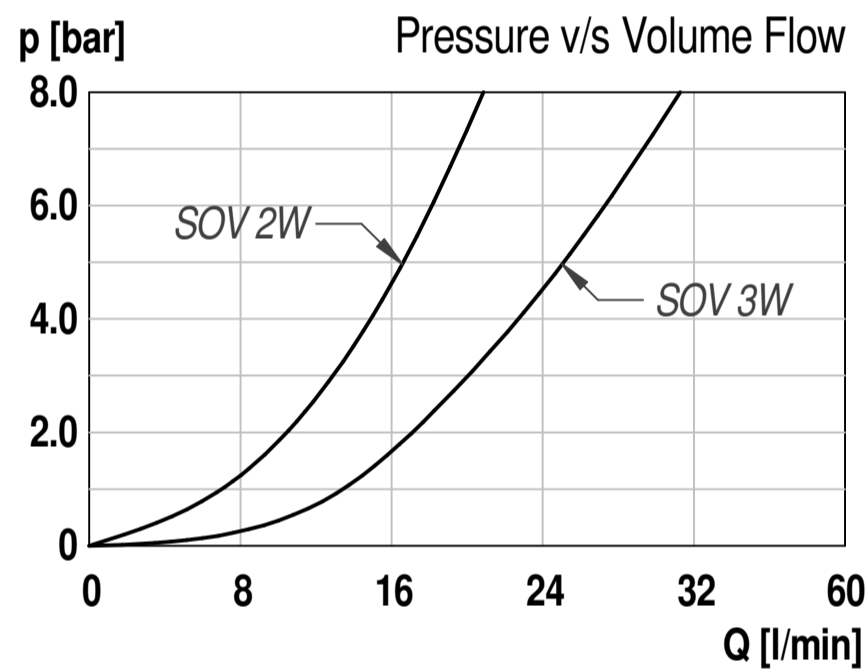
OPERATION

Turning the handle clockwise or anti clockwise closes or opens the valve to flow respectively. The volume flow is zero when the throttle is screwed in (the metal sealing edge seals completely). The valve flow is bidirectional.

FEATURES

The line mounted bodies come with standard pipe threading to allow easy installation in any hydraulic circuit. All steel construction and hardened working parts ensure a reliable and trouble free life.

CHARACTERISTICS. Figures Based on: Oil Temp = 40°C, Viscosity = 40 cSt



General Specifications

Description	flow control valve	
Construction	parts-in-body construction for threaded ports	
Mounting	BSP Threaded ports	
Installation Position	any	
Tightening Torque	Not applicable	
Ambient Temp.	-20°C to +50°C	
Construction Material	Working parts: Hardened, ground steel External surfaces: Zinc plated	
Cavity Number	Not applicable	
Weight	SOV 2W:	0.40 kg
	SOV 3W:	0.70 kg
	SOV 4W:	1.10 kg
	SOV 6W:	2.80 kg
	SOV 8W:	3.30 kg

Hydraulic Specifications

Hydraulic Fluid	Mineral oils. Contact sales office for other fluids.
Max. Pressure	350 bar
Rated Flow	See chart
Max. Contamination Level	BS5540/4 Class 18/16/13 (25µ nominal)
Viscosity Range	5 to 500 cSt
Leakage Flow	Less than 0.3 ml/min (5 dpm)
Hydraulic Fluid Temp.	-20°C to +90°C (Standard Seals)
Mounting	Line
Peak Pressure	400 bar
Max. Flow	See chart
Seal Kit Number	Not applicable

Line Mounted Shut Off Valve

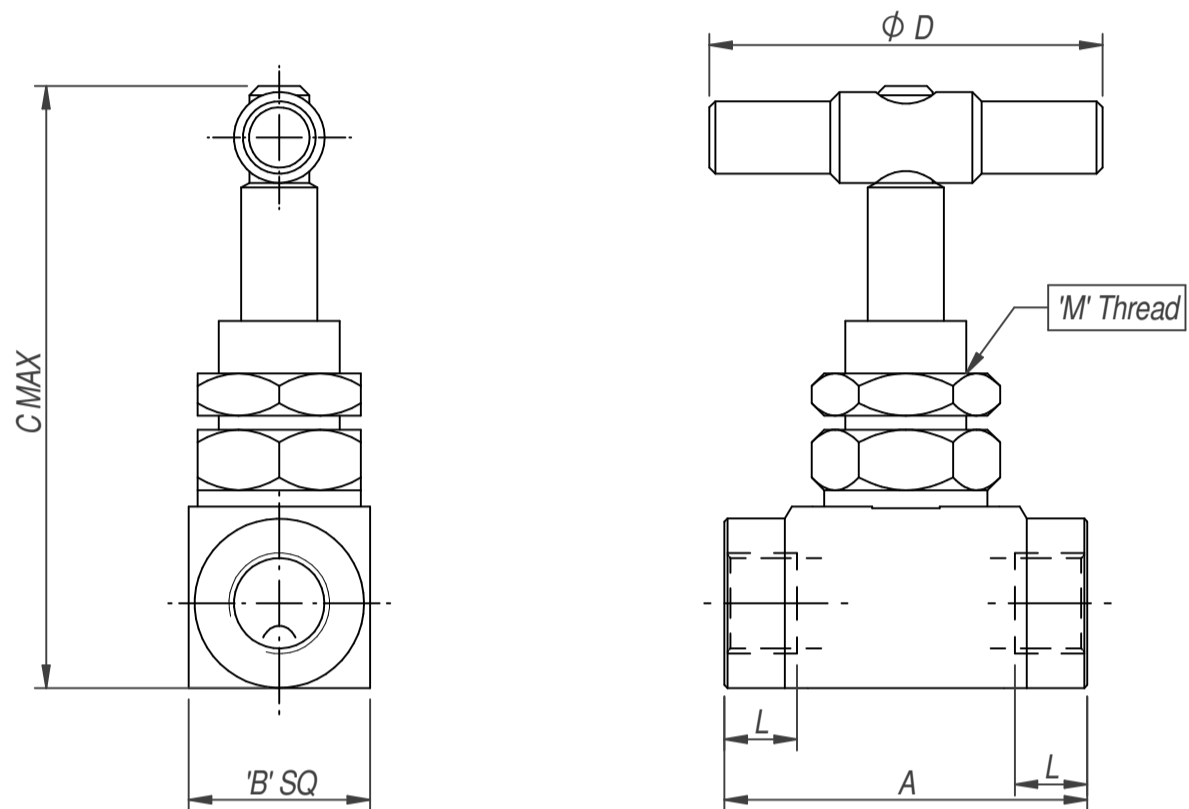
ORDERING CODE

SOV 2W

BASIC CODE _____ PORT SIZE _____
SOV - Line Body See chart below.

DIMENSIONS

BASIC CODE: SOV



6

Order	Pressure (bar)	G (BSP)	A (mm)	B (mm)	C (mm)	D (mm)	L (kg)	M (thread)
SOV 2W	350	1/4"	55.0	25.4	85.0	65.0	12.0	M18 x 1.5
SOV 3W	350	3/8"	60.0	32.0	100.0	65.0	12.0	M22 x 1.5
SOV 4W	300	1/2"	80.0	40.0	110.0	60.0	14.0	M24 x 1.5
SOV 6W	300	3/4"	95.0	50.0	135.0	120.0	19.0	M33 x 1.5
SOV 8W	200	1"	110.0	63.5	145.0	120.0	21.0	M33 x 1.5