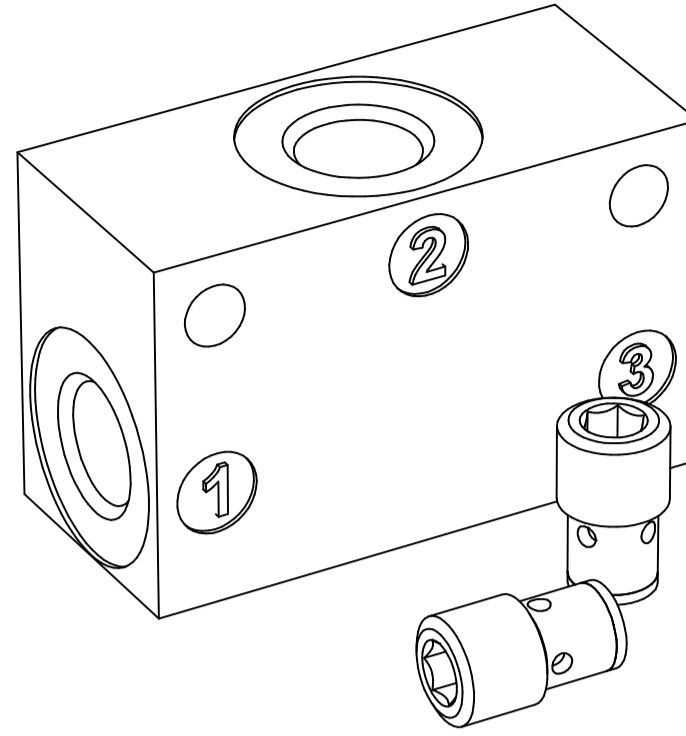
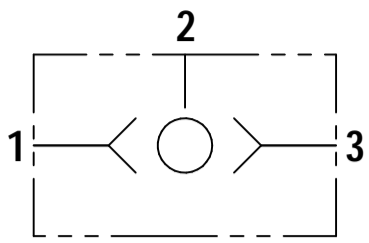




SH 10

FLUID POWER SYMBOL



5

APPLICATION

This valve provides a means of sensing the higher pressures between two lines on a hydraulic circuit allowing this line to be used for an auxiliary function such as the removal of a mechanically applied brake, the operation of a gauge or to give a remote pressure sensing line for the control of a separate valve.

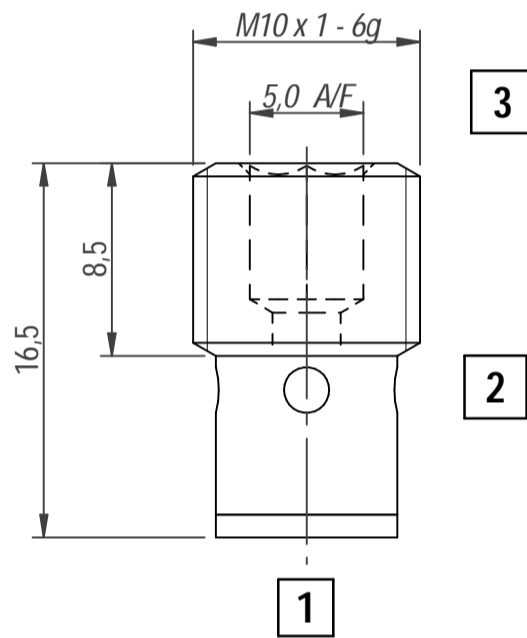
OPERATION

When a higher pressure is sensed at Port 1 than at Port 3 the ball within the cartridge is forced against a seat closing Port 3, opening Port 1 to Port 2. When the higher pressure appears at Port 3 the ball is forced against the seat at Port 1 and opens up Port 3 to Port 2.

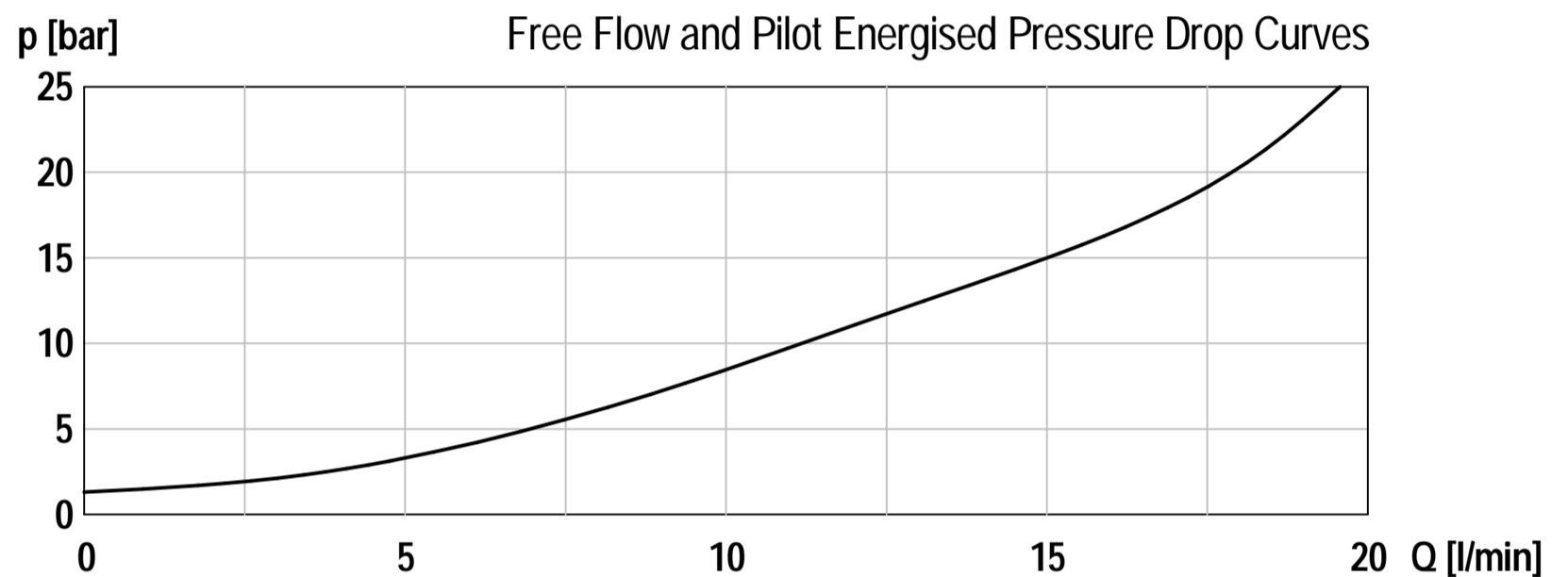
FEATURES

Cartridge design enabling speedy servicing when mounted in a body or in a composite manifold.

DIMENSIONS



CHARACTERISTICS. Figures Based on: Oil Temp = 40°C, Viscosity = 40 cSt



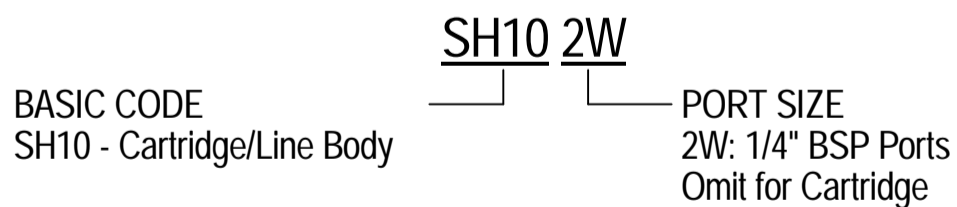
General Specifications

Description	shuttle valve
Construction	insertable cartridge construction
Mounting	M10 x 1.0 screw thread for cartridge Threaded ports for housings.
Installation Position	any
Tightening Torque	10 Nm
Ambient Temp.	-20°C to +50°C
Cartridge Material	Working parts: Hardened, ground steel External surfaces: Zinc plated
Manifold Material	Aluminium or SG Iron
Cavity Number	TH16927 (Refer Cavities Section)
Weight	SH10 Cartridge: 8.0 g SH10 2W: 114.0 g

Hydraulic Specifications

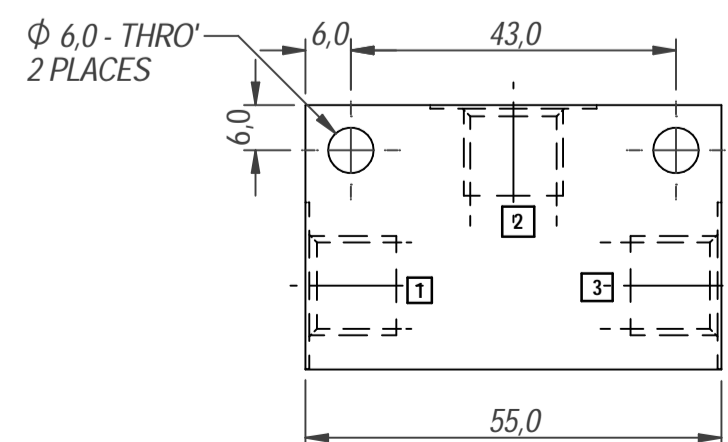
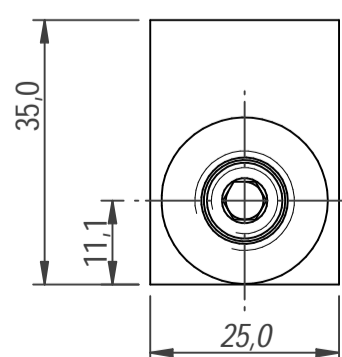
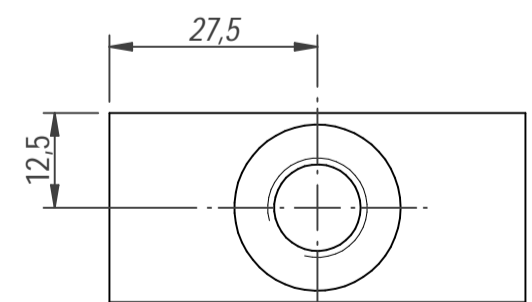
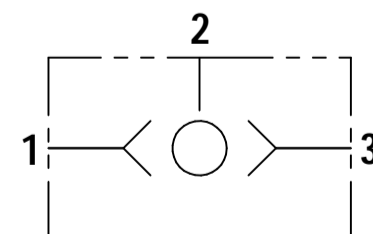
Hydraulic Fluid	Mineral oils. Contact sales office for other fluids.
Max. Pressure	350 bar
Rated Flow	20 lpm
Max. Contamination Level	BS5540/4 Class 18/16/13 (25µ nominal)
Viscosity Range	5 to 500 cSt
Leakage Flow	Less than 0.6 ml/min (10 dpm)
Hydraulic Fluid Temp.	-20°C to +90°C (Standard Seals)
Mounting	Line
Peak Pressure	400 bar
Max. Flow	20 lpm
Seal Kit Number	-

ORDERING CODE



DIMENSIONS

BASIC CODE: SH10 2W
ONLY Body Part Numbers
 Aluminium
 1/4" BSPP - Z10262
 SG Iron



Blank Page