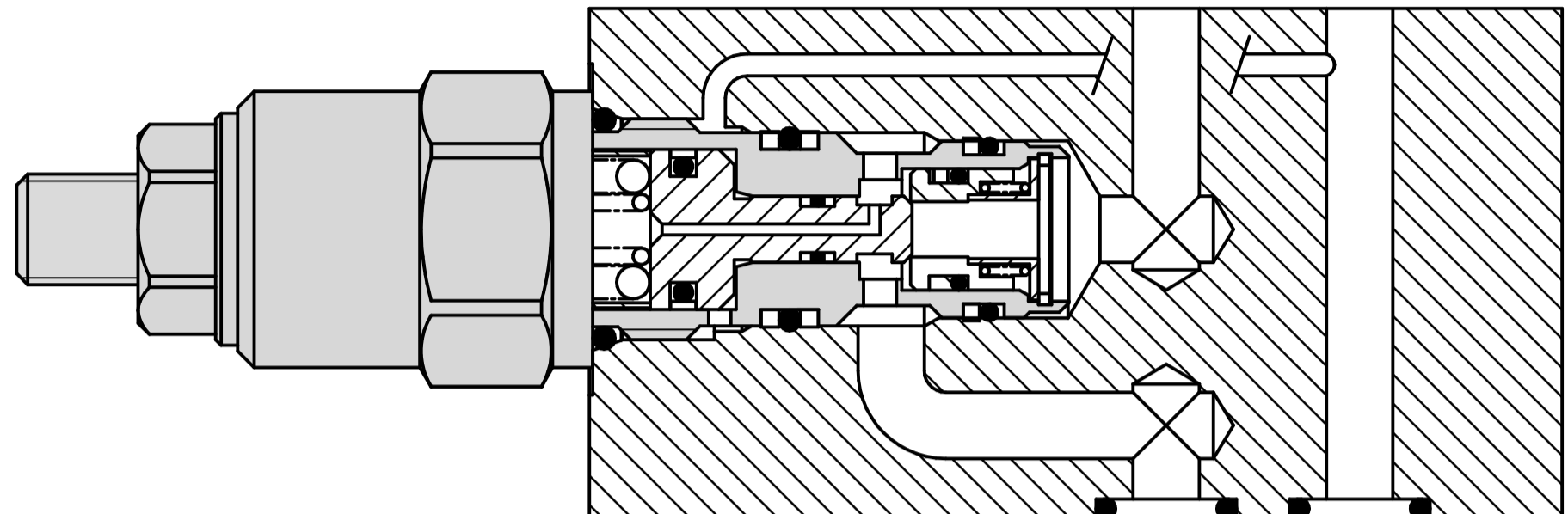
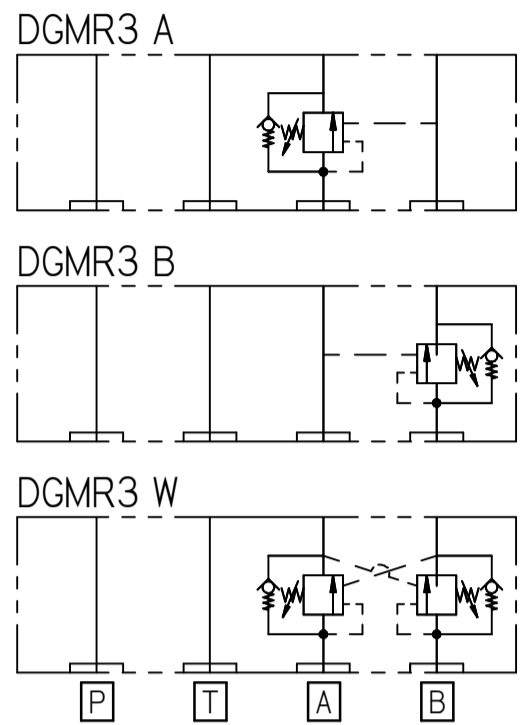


FLUID POWER SYMBOL



Application

When used with paired cylinders, overcentre valves assist balancing of the load by transferring part of the load from the heavily loaded cylinder to the less loaded cylinder. When used with open center DCVs, deceleration control can also be provided. A high pilot ratio improves the efficiency of a hydraulic system, but stability may suffer for overrunning cylinders.

Operation

A fine tread on the adjustable throttle reveals an annular gap, controlling the flow in the forward/reverse direction. The adjusted throttle cross-section produces a pressure drop which determines the volume flow. Flow to/from either of the actuator ports (A or B) allow free flow in the opposite direction.

Features

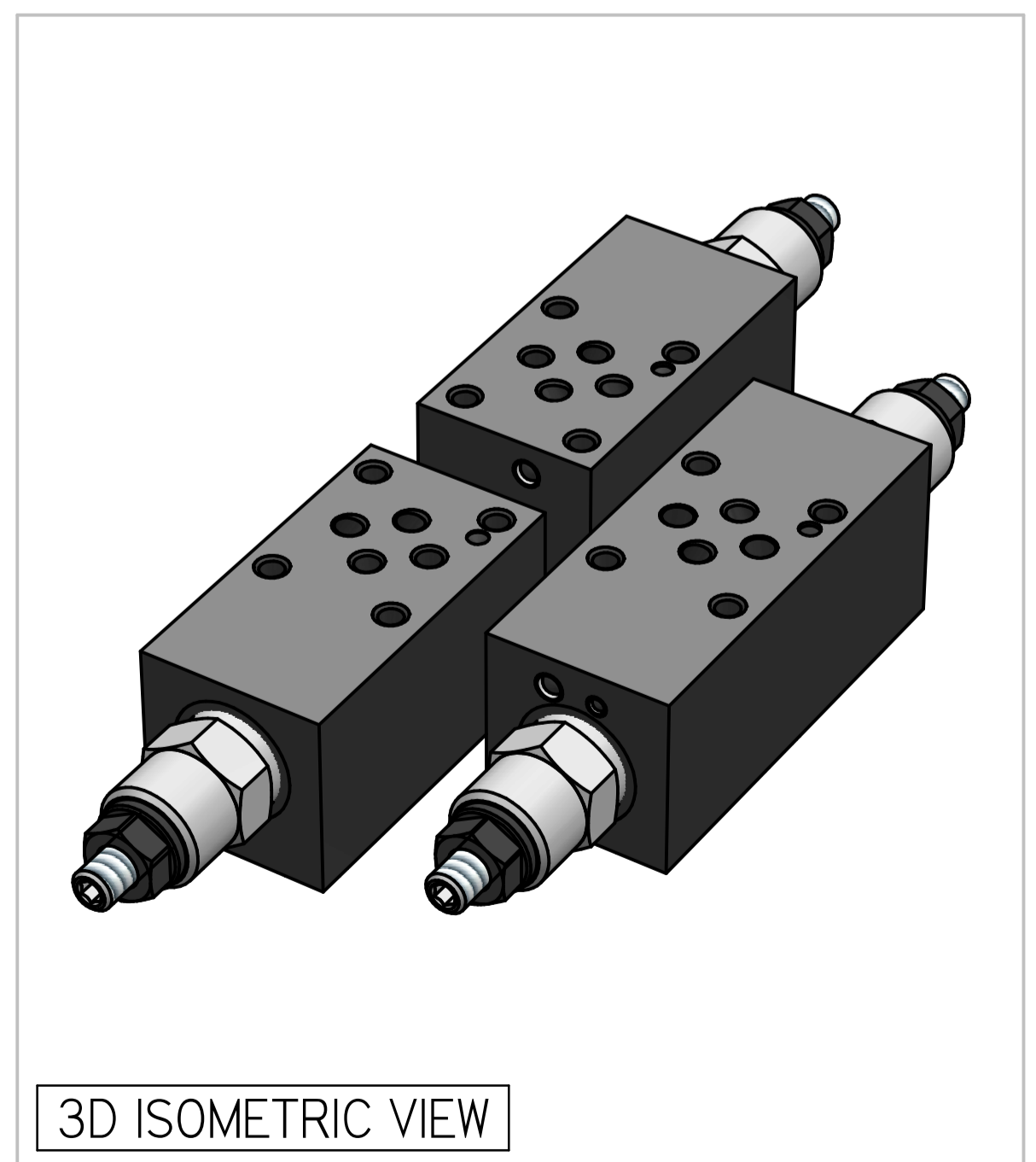
Compact hydraulic system through stack mounting. Improved system response. Eliminates system resonance. Excellent reliability through high strength components. Cartridge design permits service without removing valve from stack.

12

Specifications

Figures based on: Oil Temp = 40°C Viscosity = 40 cSt

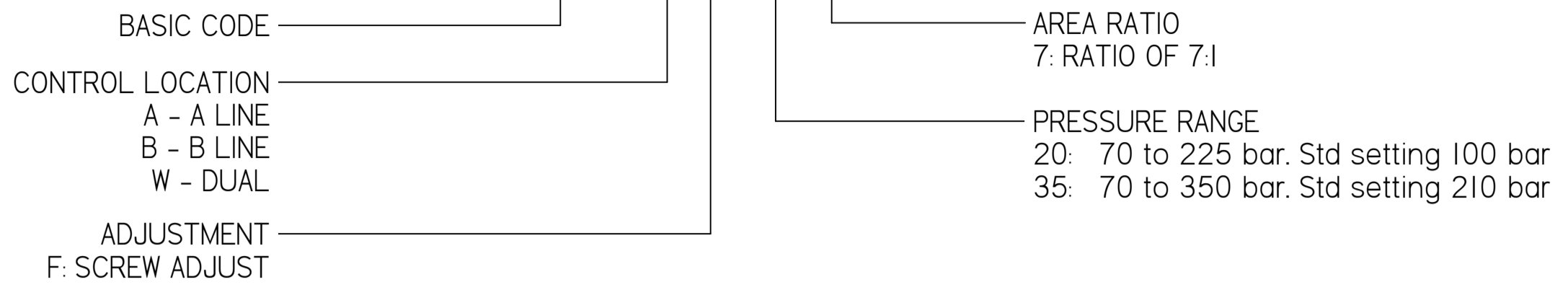
| | |
|--------------------|---------------------------------------------------------------------------|
| Max Flow | 40 lpm |
| Max Pressure | 350 bar |
| Cartridge Material | Working parts : Hardened, ground steel External surfaces : Zinc plated |
| Weight | DGMR3 A/B: 1.12 kgs DGMR3 W: 1.12 kgs |
| Manifold Material | SG Iron |
| Mounting | CETOP3 |
| Seal Kit Number | SKDGMR3 (Nitrile) SKDGMR3V (Viton®) |
| Filtration Level | BS5540/4 Class 18/13 (25µ nominal) |
| Operating Temp | -20°C to +90°C (Standard Seals) |
| Leakage | Less than 0.3 millilitres/min (5 dpm) |
| Viscosity Range | 5 to 500 cSt |



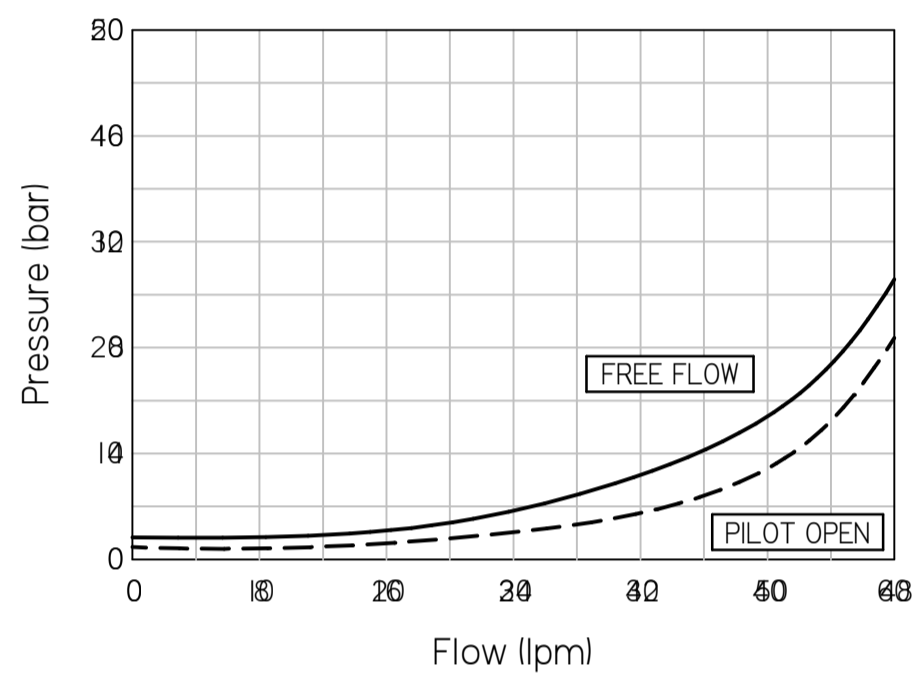
Where measurements are critical request certified drawings. We reserve the right to change specifications without notice.

TO ORDER

DGMR3 W F 35 7



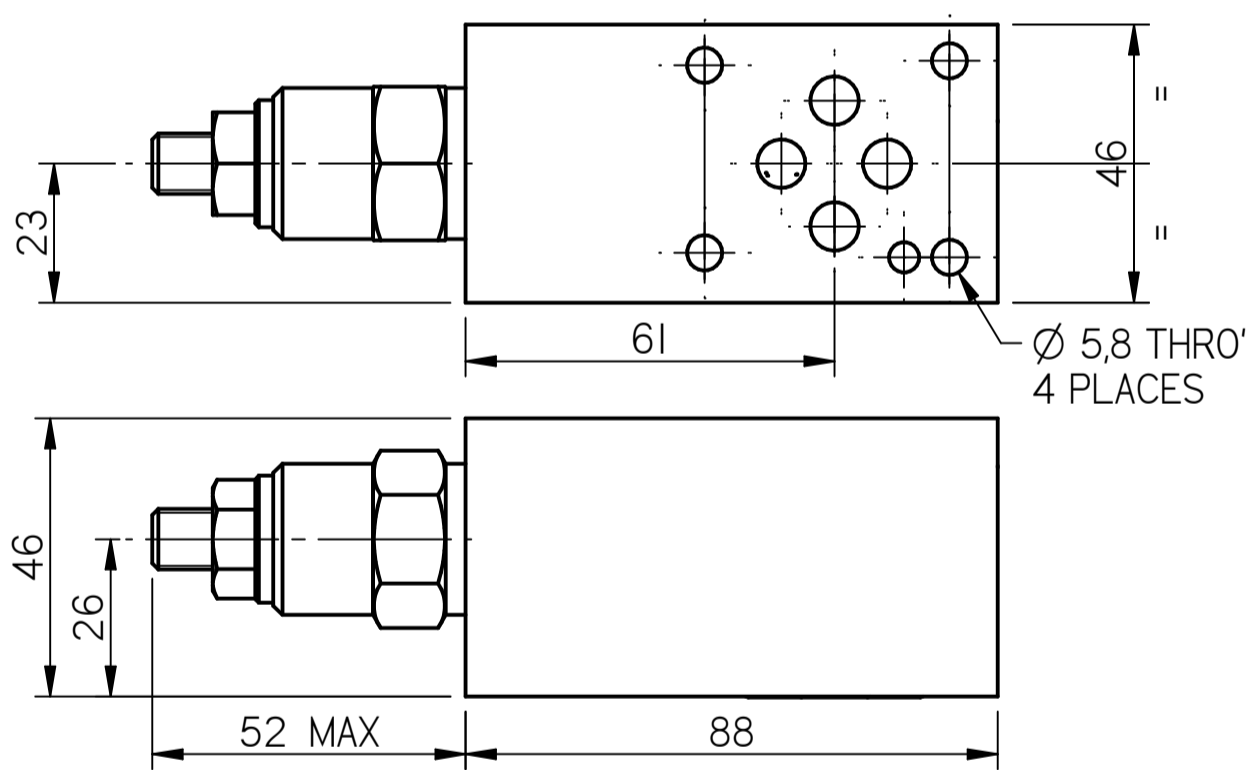
PRESSURE CHARACTERISTICS



COMPLETE VALVE

CETOP3

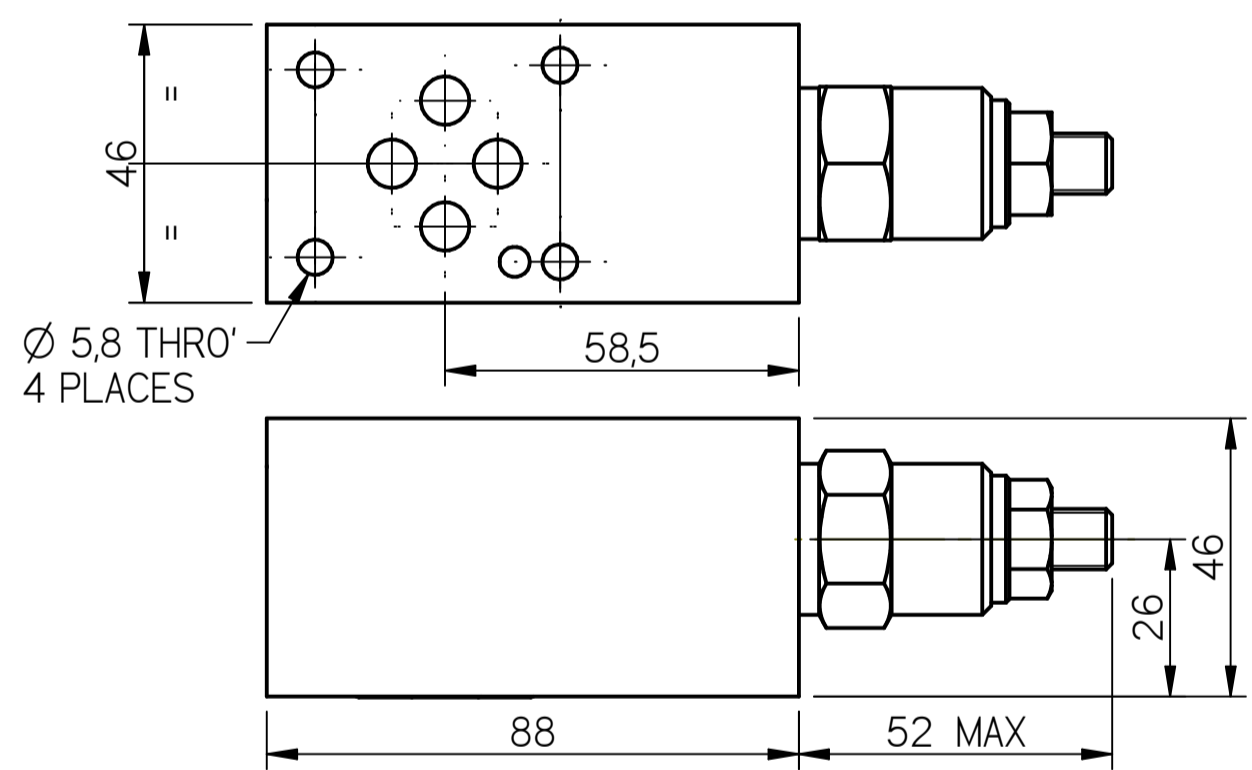
BASIC CODE: DGMR3 A



COMPLETE VALVE

CETOP3

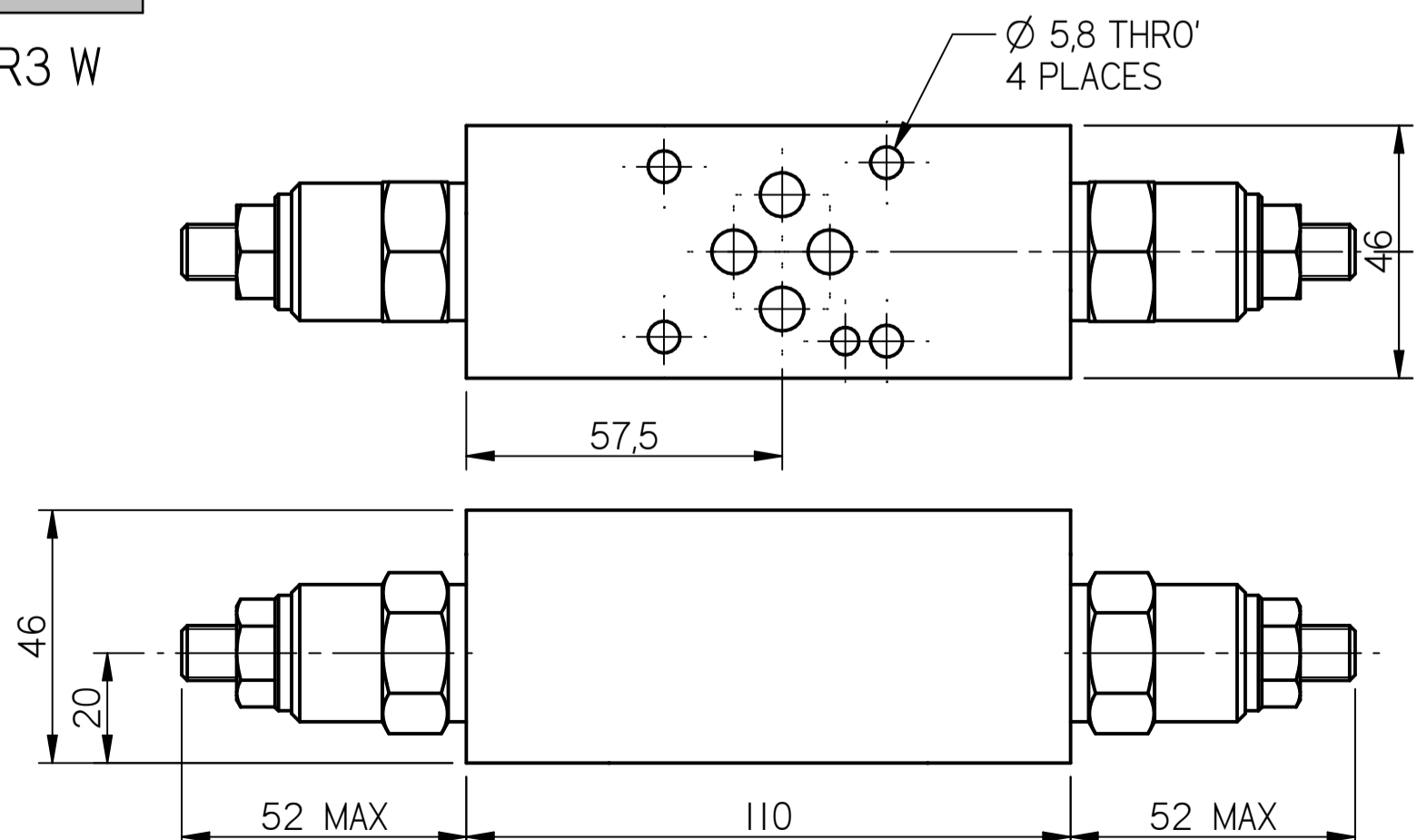
BASIC CODE: DGMR3 B



COMPLETE VALVE

CETOP3

BASIC CODE: DGMR3 W



Where measurements are critical request certified drawings. We reserve the right to change specifications without notice.