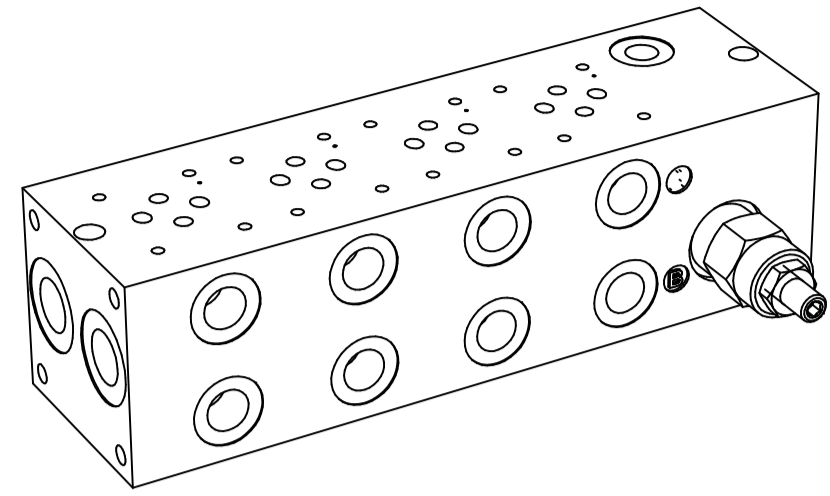
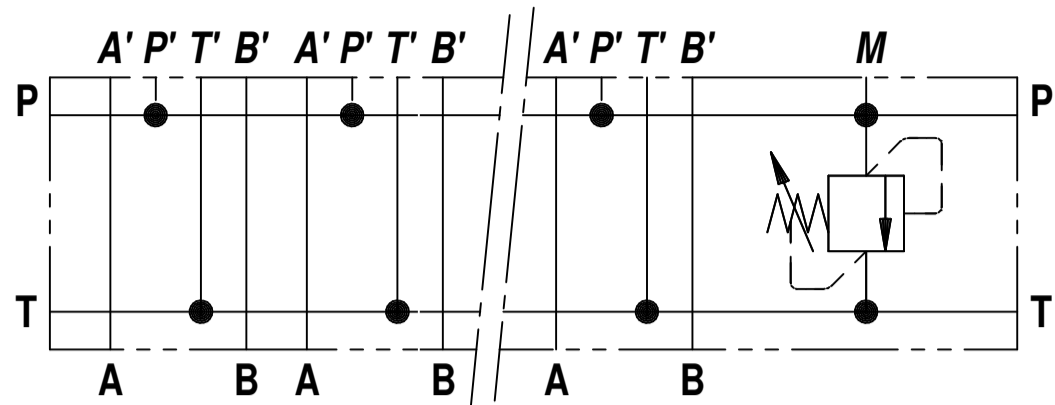


FLUID POWER SYMBOL



1

APPLICATION

Monoblock subplate are used to mount NG6 valves in either series or parallel connections for common P and T lines and individual A and B lines for actuators.

OPERATION

FEATURES

Made from Aluminium for 200 bar applications or SG Iron for high pressures of 350 bar. The monoblocks have ground O-Ring surfaces and spot faced ports.

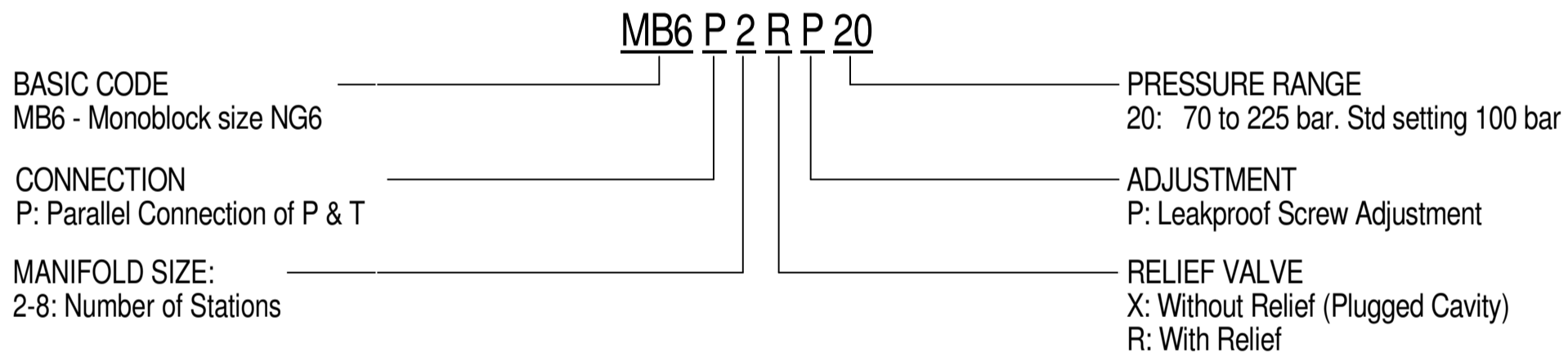
General Specifications

Description	multistation monoblock subplate
Nominal Size	NG6 acc. To ISO 4401-03
Mounting	4 threaded holes for M8 screw on side faces 2 bolt holes for M5 on top face
Installation Position	any
Ambient Temp.	-20°C to +50°C
Manifold Material	Aluminium or SG Iron (Suffix 729 after order code)
Weight	Refer Chart

Hydraulic Specifications

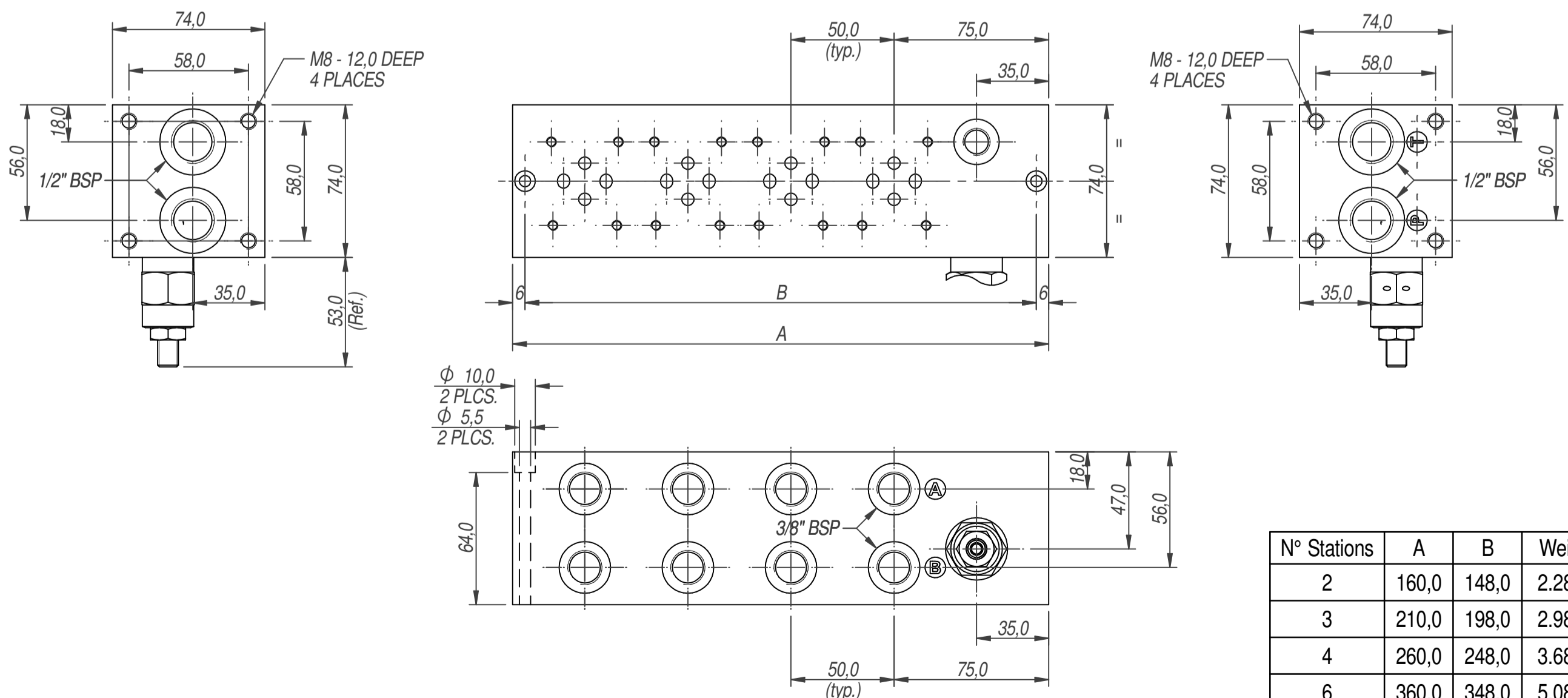
Hydraulic Fluid	Mineral oils. Contact sales office for other fluids.
Max. Pressure	350 bar
Rated Flow	35 lpm
Max. Contamination Level	BS5540/4 Class 18/16/13 (25µ nominal)
Viscosity Range	5 to 500 cSt
Leakage Flow	Less than 0.3 ml/min (5 dpm)
Hydraulic Fluid Temp.	-20°C to +90°C (Standard Seals)
Mounting	Line
Peak Pressure	400 bar
Max. Flow	60 lpm

ORDERING CODE



DIMENSIONS

BASIC CODE: MB6 P * R P 20



N° Stations	A	B	Weight
2	160,0	148,0	2.28 kg
3	210,0	198,0	2.98 kg
4	260,0	248,0	3.68 kg
6	360,0	348,0	5.08 kg
8	460,0	448,0	6.36 kg