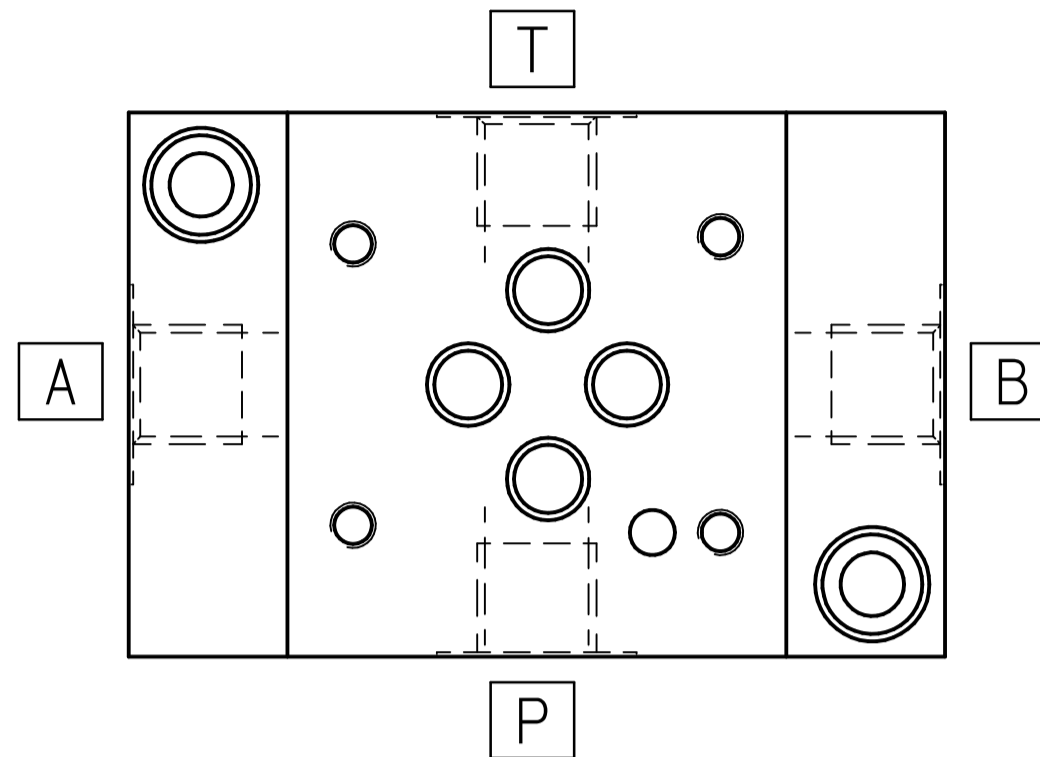
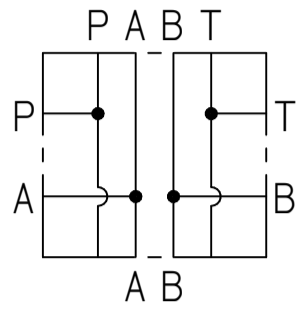


FLUID POWER SYMBOL



Application

The XP070 subplate is a CETOP5 multistation manifold having number of stations up to 4 numbers. The blocks are convenient for systems having more than one solenoid valve and have a connected pump line to prevent excess back pressure.

Operation

Oil flows in through the 'P' Port and into the modular CETOP5 systems through the interface. Return oil flow out of the Tank Line.

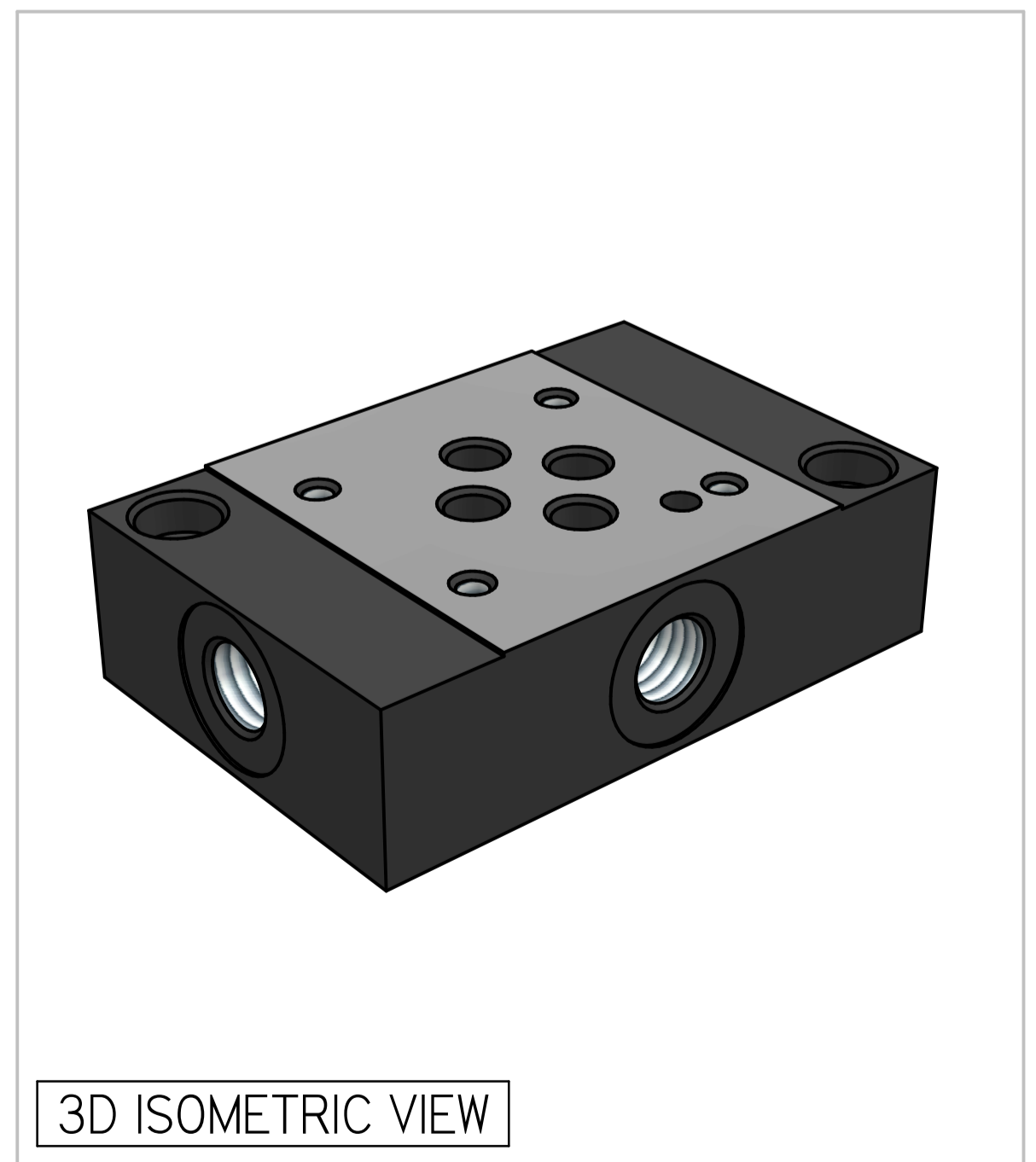
Features

CETOP3 interface provides sandwiched stacking for directional control valves and other modular valves. Mating surfaces are ground and ports with O-rings are spot faced.

Specifications

Figures based on: Oil Temp = 40°C Viscosity = 40 cSt

Rated Flow	~60 lpm
Max Pressure	400 bar
Weight	See Chart
Manifold Material	SG Iron
Interface	CETOP3



3D ISOMETRIC VIEW

Where measurements are critical request certified drawings. We reserve the right to change specifications without notice.

TO ORDER

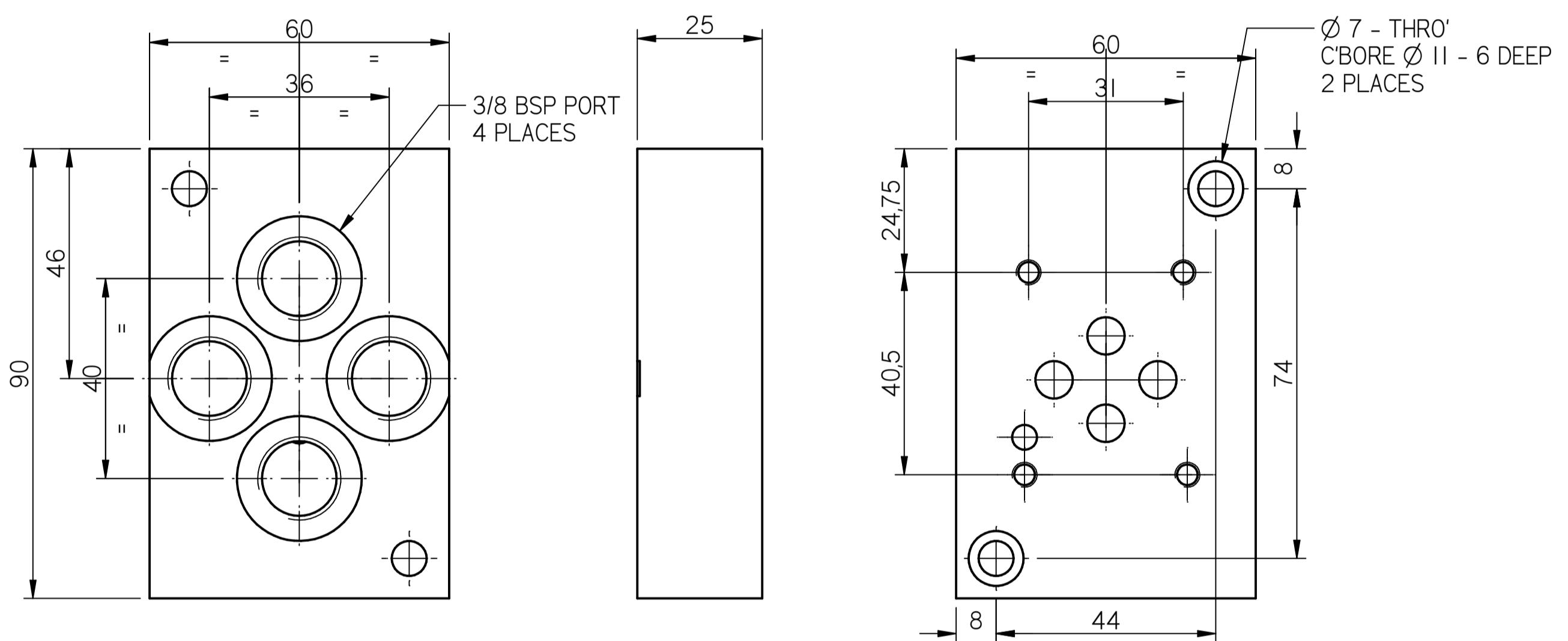
XP048 2W

BASIC CODE

PORT SIZE
2W: 1/4 BSP (8 PORTS)
3W: 3/8 BSP (4 PORTS)

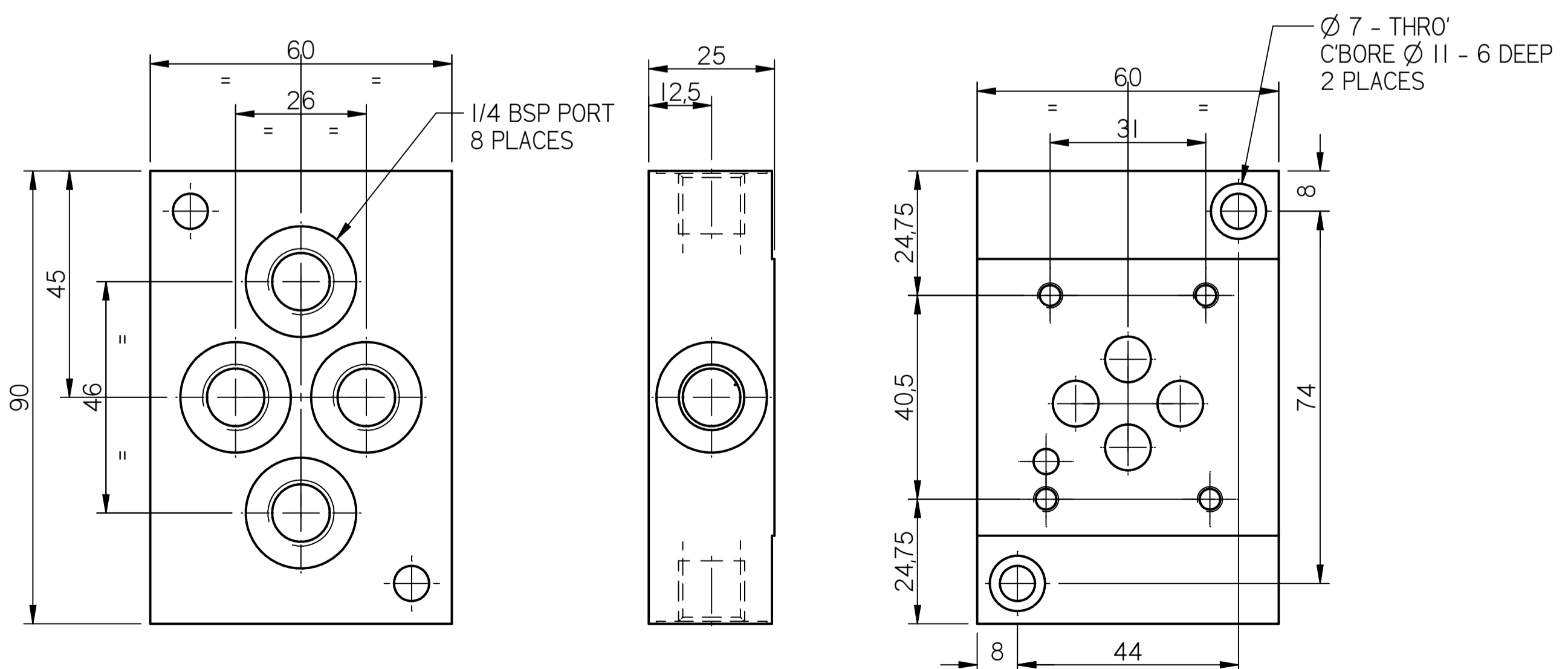
COMPLETE VALVE CETOP3 INTERFACE

BASIC CODE: XP048 3W



COMPLETE VALVE CETOP3 INTERFACE

BASIC CODE: XP048 2W



12

Where measurements are critical request certified drawings. We reserve the right to change specifications without notice.