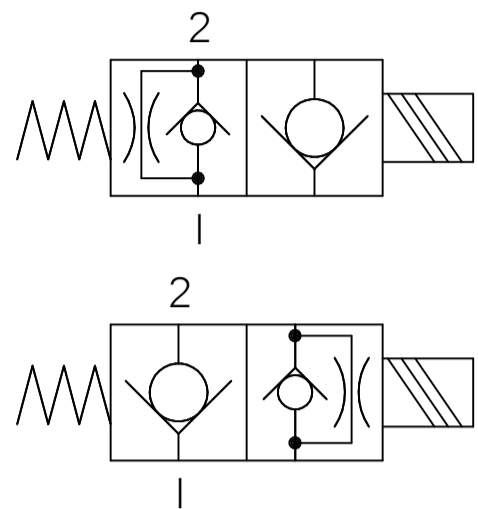
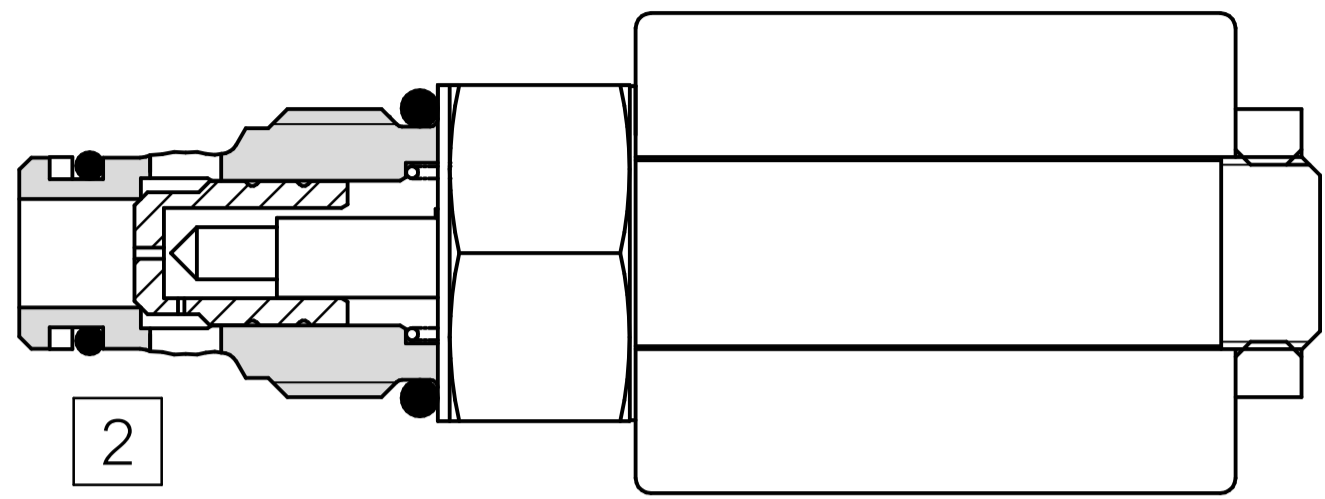


FLUID POWER SYMBOL

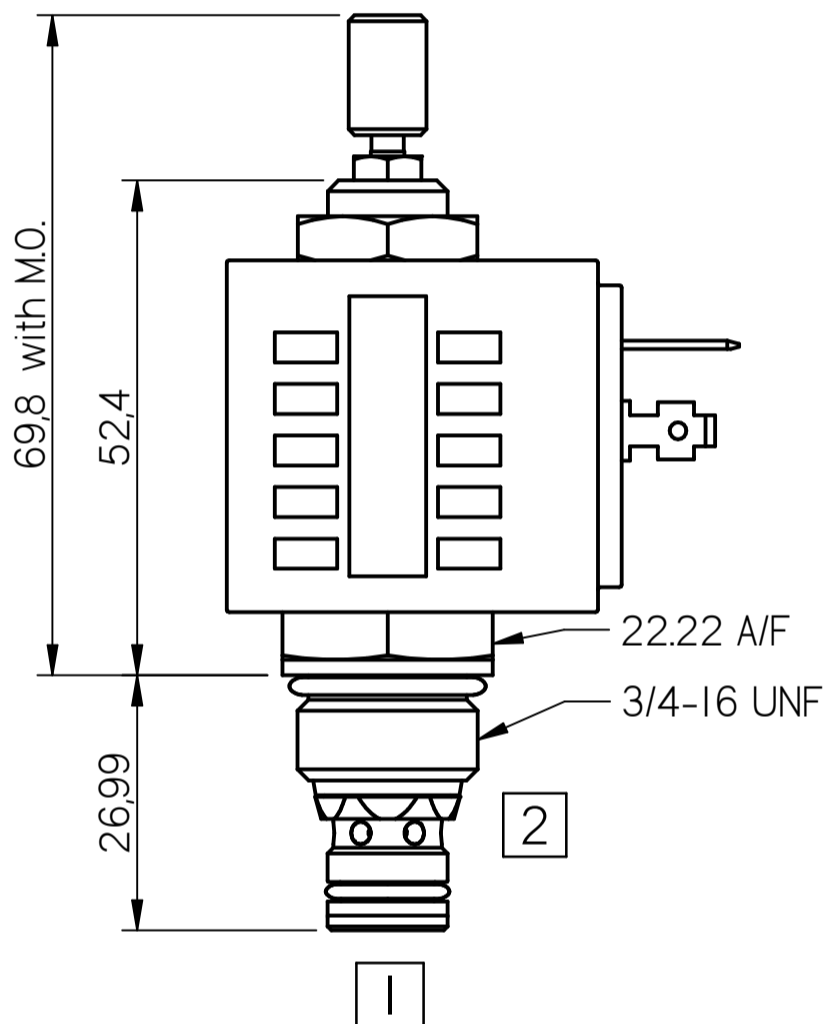


SP211 - N.O.
(as shown)

SP212 - N.C.



9



Application

Typical usage includes the control of actuators in a hydraulic system, decompression of hydraulic fluid in heavy cylinders etc.

Operation

N.O. De-energised or N.C. Energised
2 to 1 – full flow, pressure difference through the pilot orifice holds the main poppet open. 1 to 2 – restricted flow, main poppet seated due to pressure differential.

N.O. Energised or N.C. De-energised
No flow, pilot orifice closed, main poppet seated due to pressure differential. 1 to 2 – full flow when the solenoid force is overcome.

Features

- High flow capacity with reduced space
- No dynamic seals
- Standard valve bodies and cavities
- One-piece encapsulated coil with minimal amperage draw
- Oil immersed armature solenoid
- Manual override and seal variations available
- Sealed coil arrangement to protect stem from corrosion

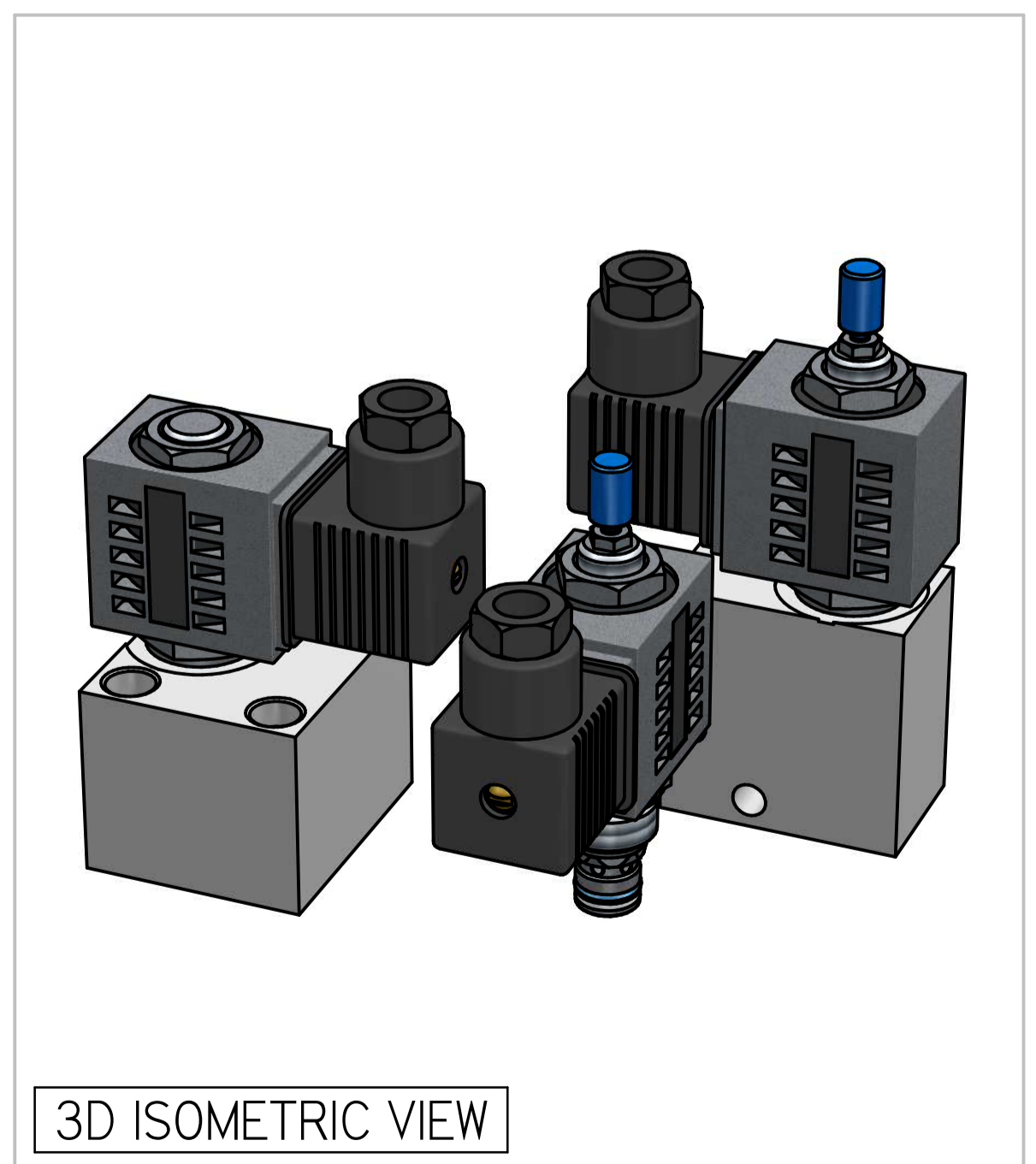
Coil Information

Contact Sales office for latest Coil Information datasheet.

Specifications

Figures based on: Oil Temp = 40°C Viscosity = 40 cSt

Max Pressure	SP211: 280 bar	SP212: 350 bar
Rated Flow	20 lpm	
Cartridge Material	Working parts : Hardened, ground steel External surfaces : Zinc plated	
Weight (Cartridge only)	0.080kg	
Cavity Number	TH879 (Refer Cavities Section)	
Manifold Material	Aluminium (upto 250 bar)	
Torque into Cavity	30Nm	
Mounting	Line/Subplate	
Seal Kit Number	SKSP211 (Nitrile)	SKSP211V (Viton®)
Filtration Level	BS5540/4 Class 18/13 (25µ nominal)	
Operating Temp	-20°C to +90°C (Standard Seals)	
Leakage	Less than 0.6 millilitres/min (10 dpm)	
Viscosity Range	5 to 500 cSt	



3D ISOMETRIC VIEW

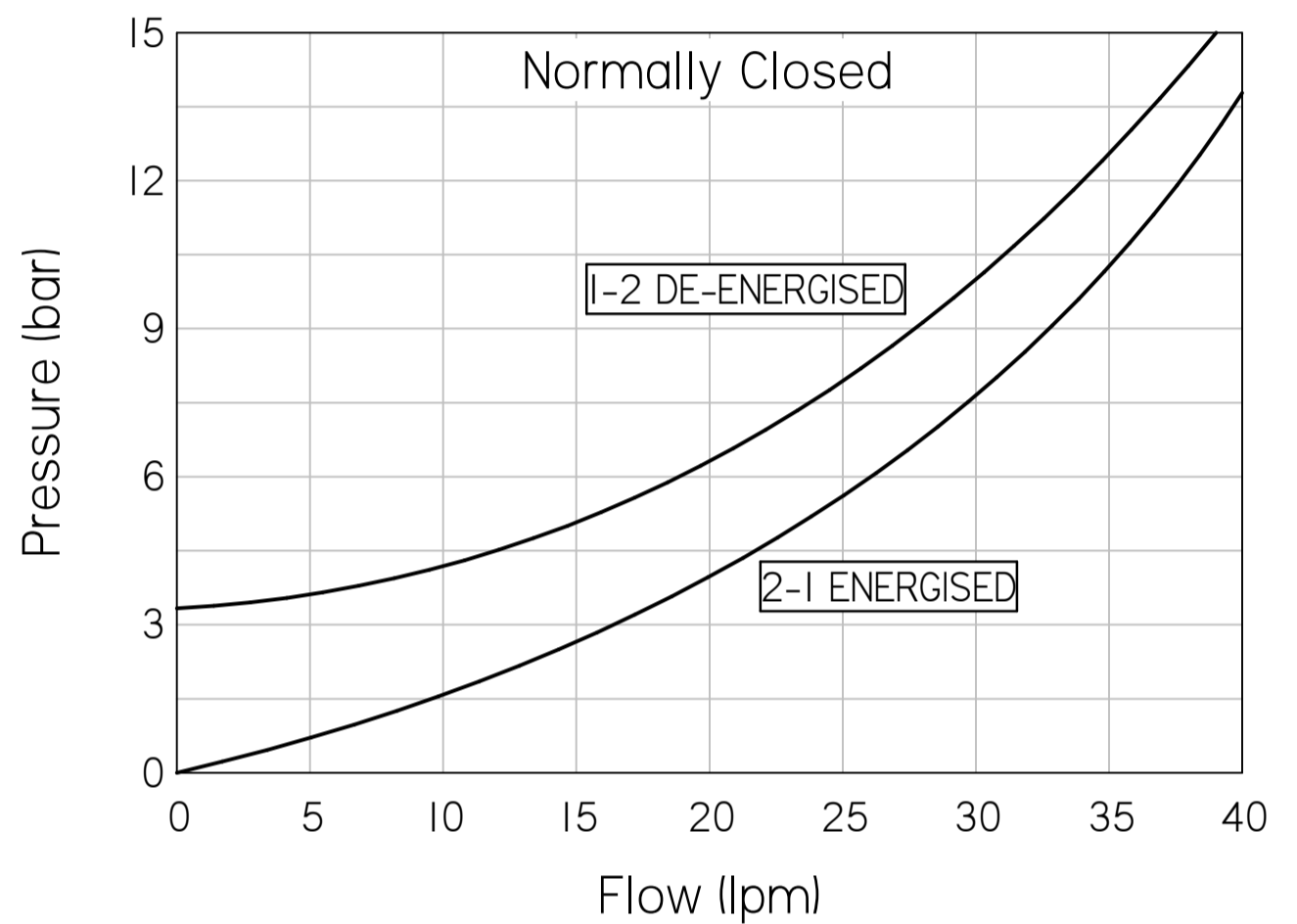
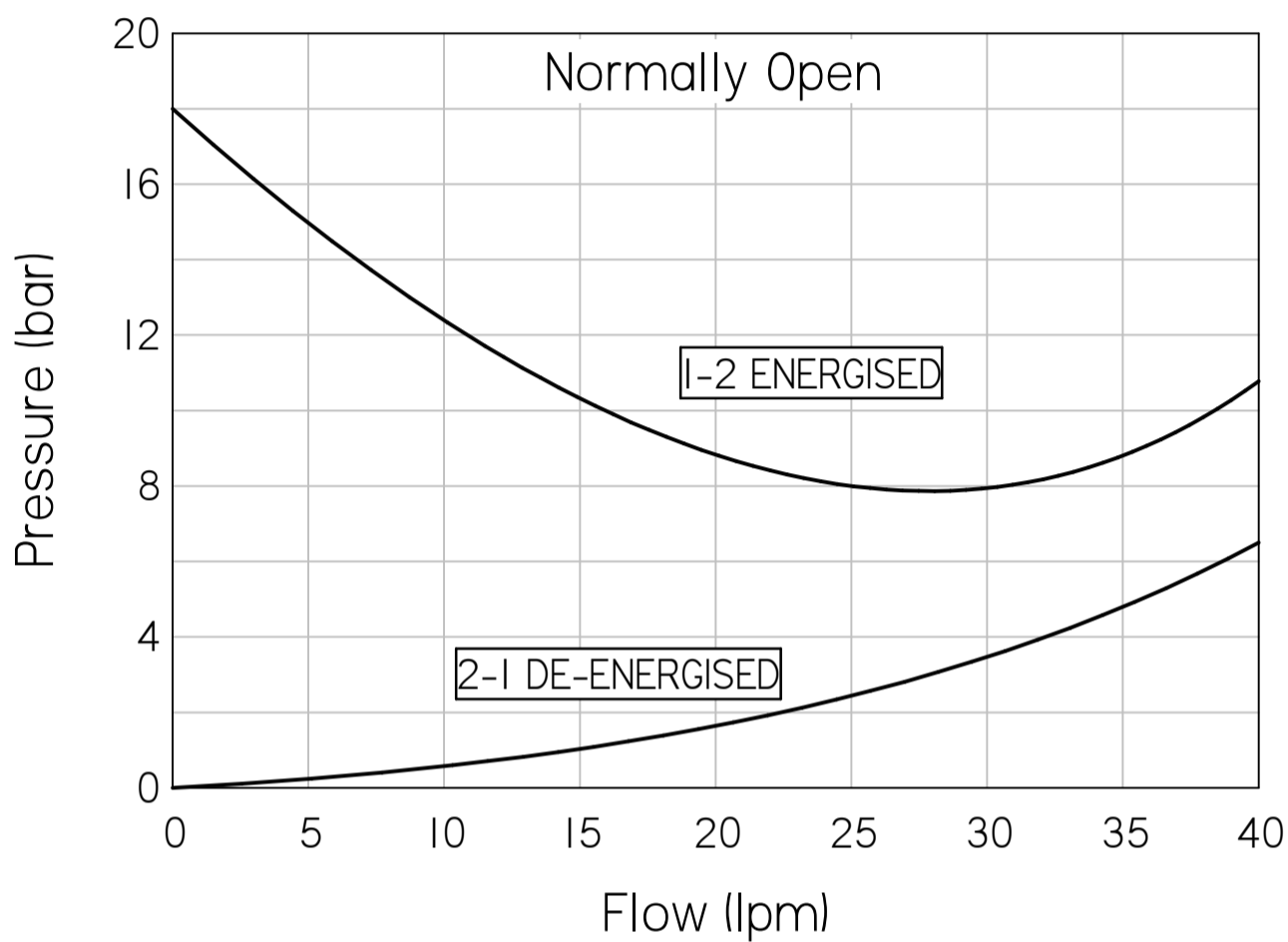
Where measurements are critical request certified drawings. We reserve the right to change specifications without notice.

TO ORDER

SP211 N H 24 3W

BASIC CODE	PORT SIZE
SP211-N.O. LINE MOUNTING	3W: 3/8 BSP PORTS
SP212-N.C. LINE MOUNTING	OMIT FOR CARTRIDGE AND SUBPLATE
SPG211-N.O. SUBPLATE MOUNTING	VOLTAGE
SPG212-N.C. SUBPLATE MOUNTING	12 - 12 VDC
SEAL KIT	24 - 24 VDC
N: NITRILE	230 - 230 VAC
V: VITON	
COIL TERMINATION	
H - DIN43650	

PRESSURE CHARACTERISTICS

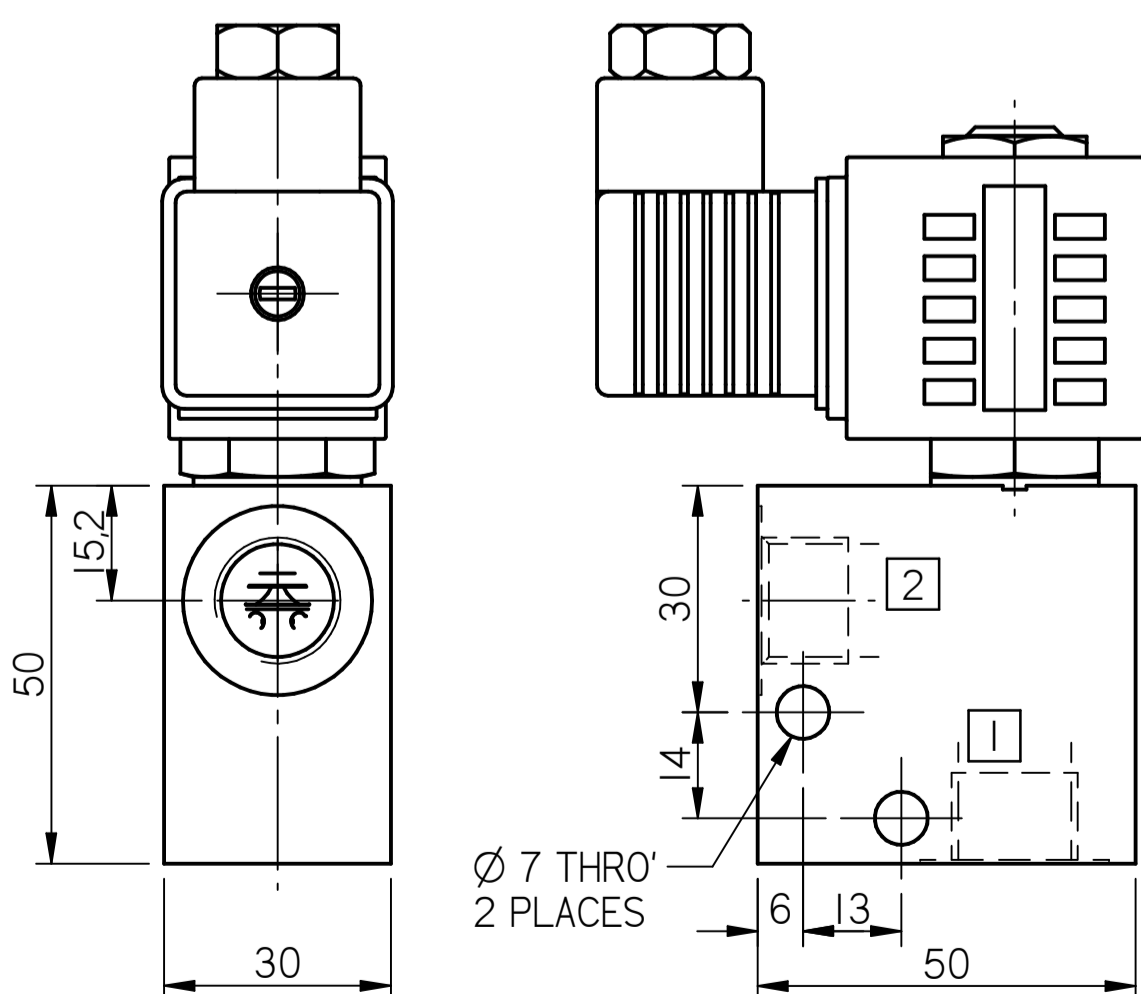
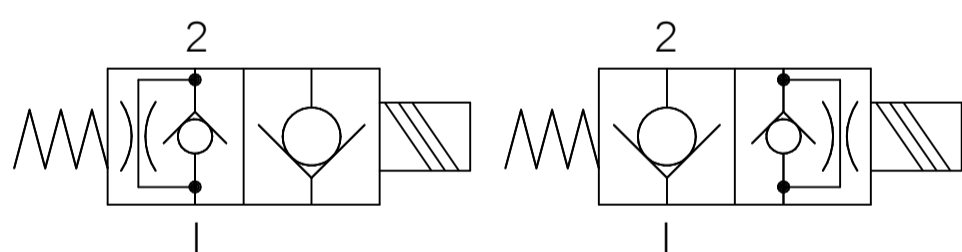


COMPLETE VALVE 3/8" BSP PORTS

BASIC CODE: SP211 3W / SP212 3W

ONLY Body Part Numbers (BSP)

Aluminium	SG Iron
3/8" Z10280	3/8" Z10280S

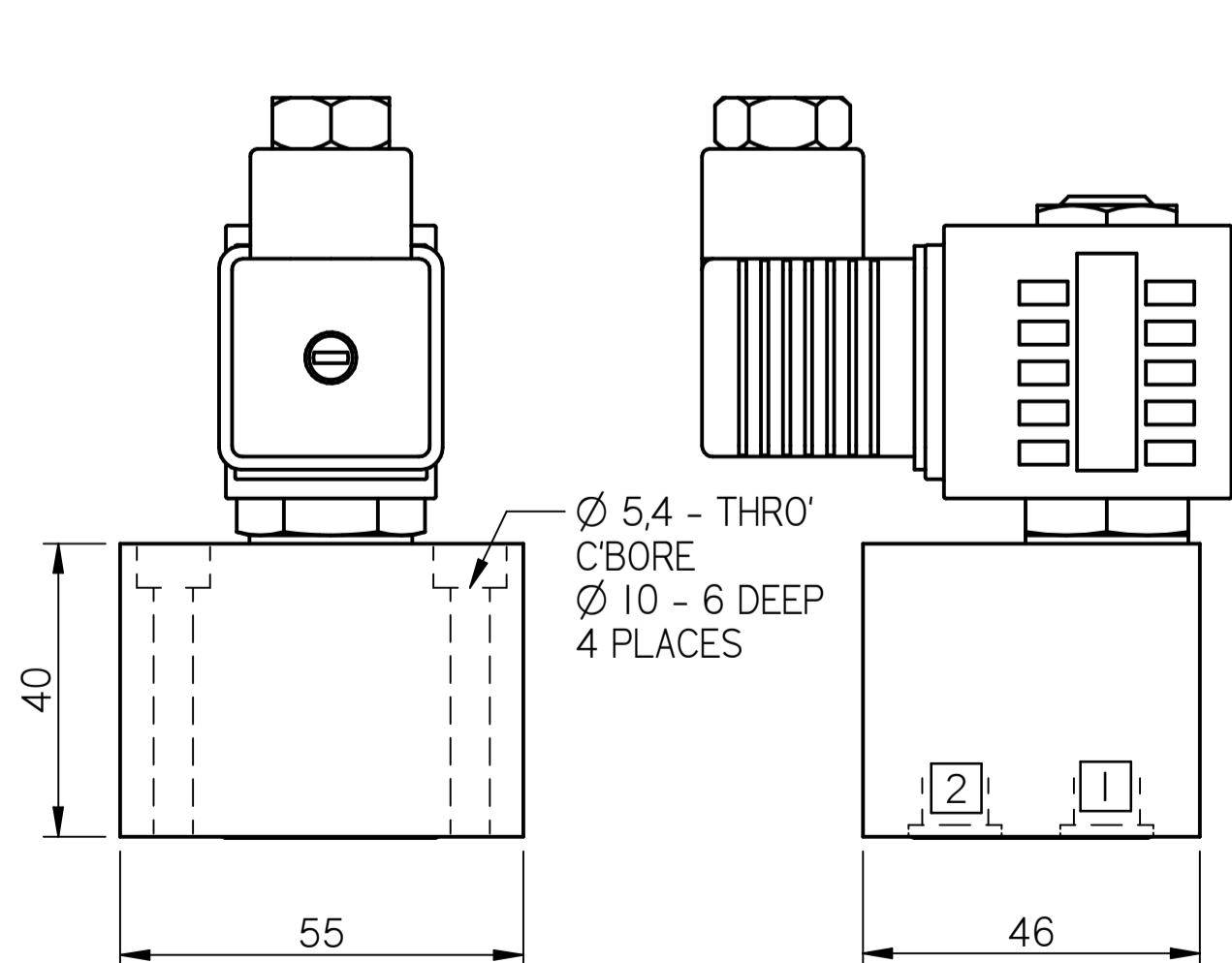
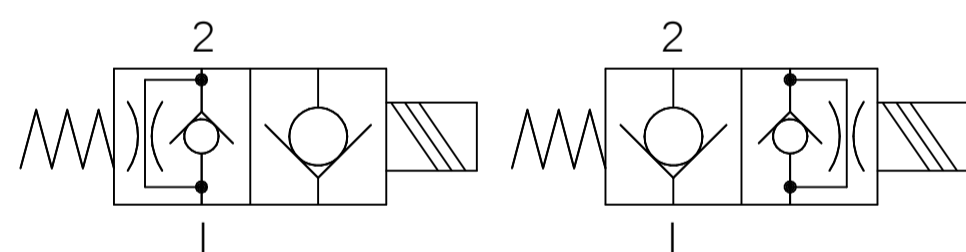


COMPLETE VALVE CETOP3 INTERFACE

BASIC CODE: SPG211 / SPG212

ONLY Body Part Numbers

Aluminium	SG Iron
-	CETOP3 Z10281



Where measurements are critical request certified drawings. We reserve the right to change specifications without notice.