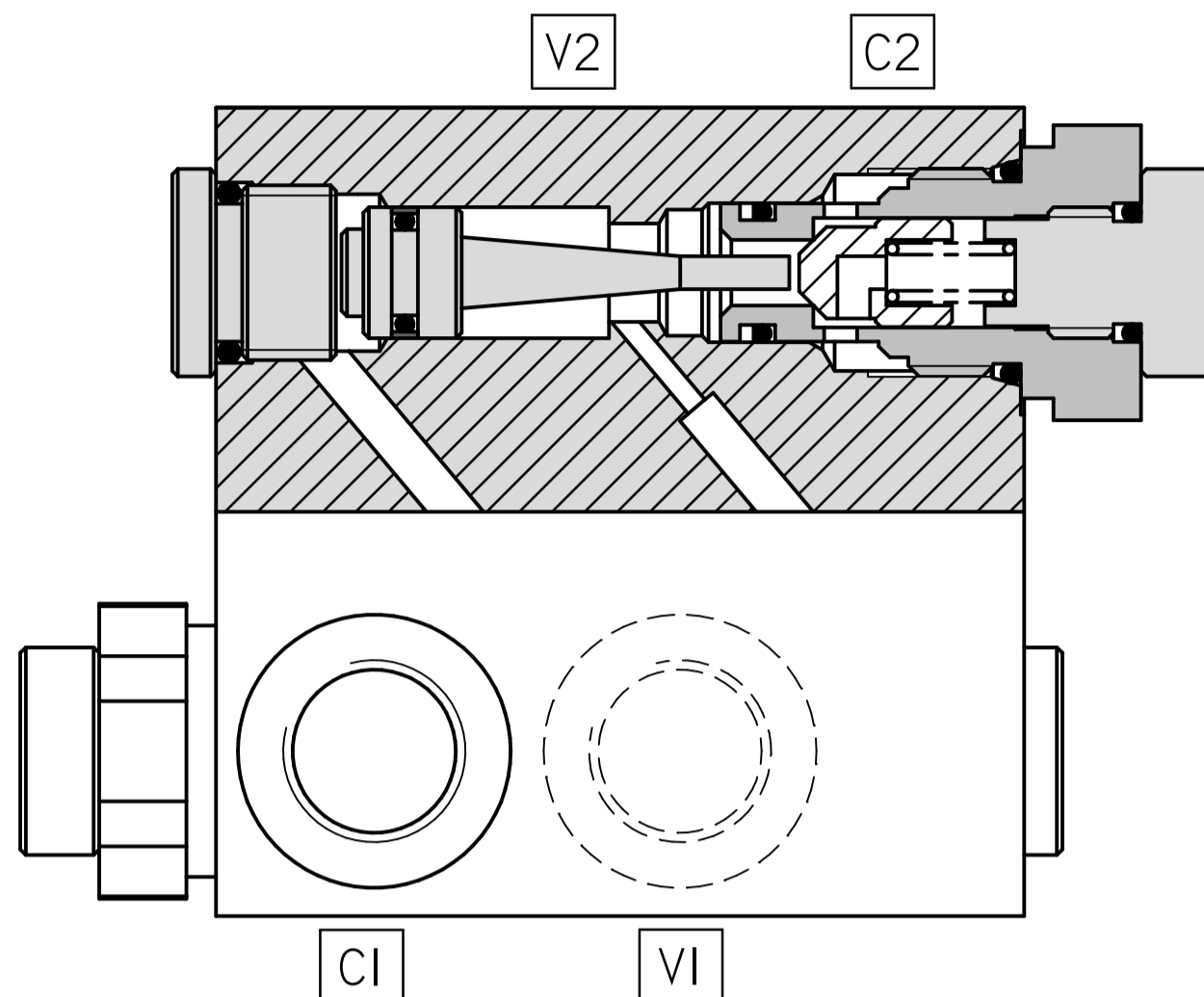
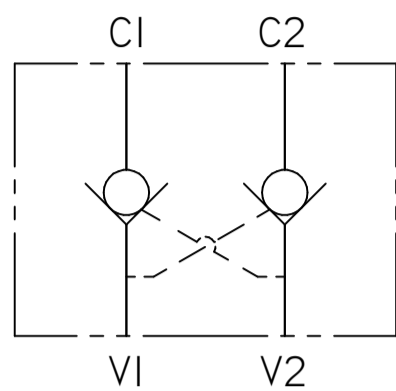


FLUID POWER SYMBOL



Application

Dual lock check valves have two check valves that each allow flow to pass in one direction, with a low pressure drop, and then prevent reverse flow until pilot pressure is applied via the pressure port of the second check valve. These check valves give control over cylinders, holding and locking them in position until pilot pressure is applied.

Operation

Pressure on the valve port (V1 or V2) causes the poppet to lift against the spring force, allowing flow to the cylinder port (C1 or C2) while providing a pilot for the second valve via the pusher. Reverse flow is prevented by the check reseating.

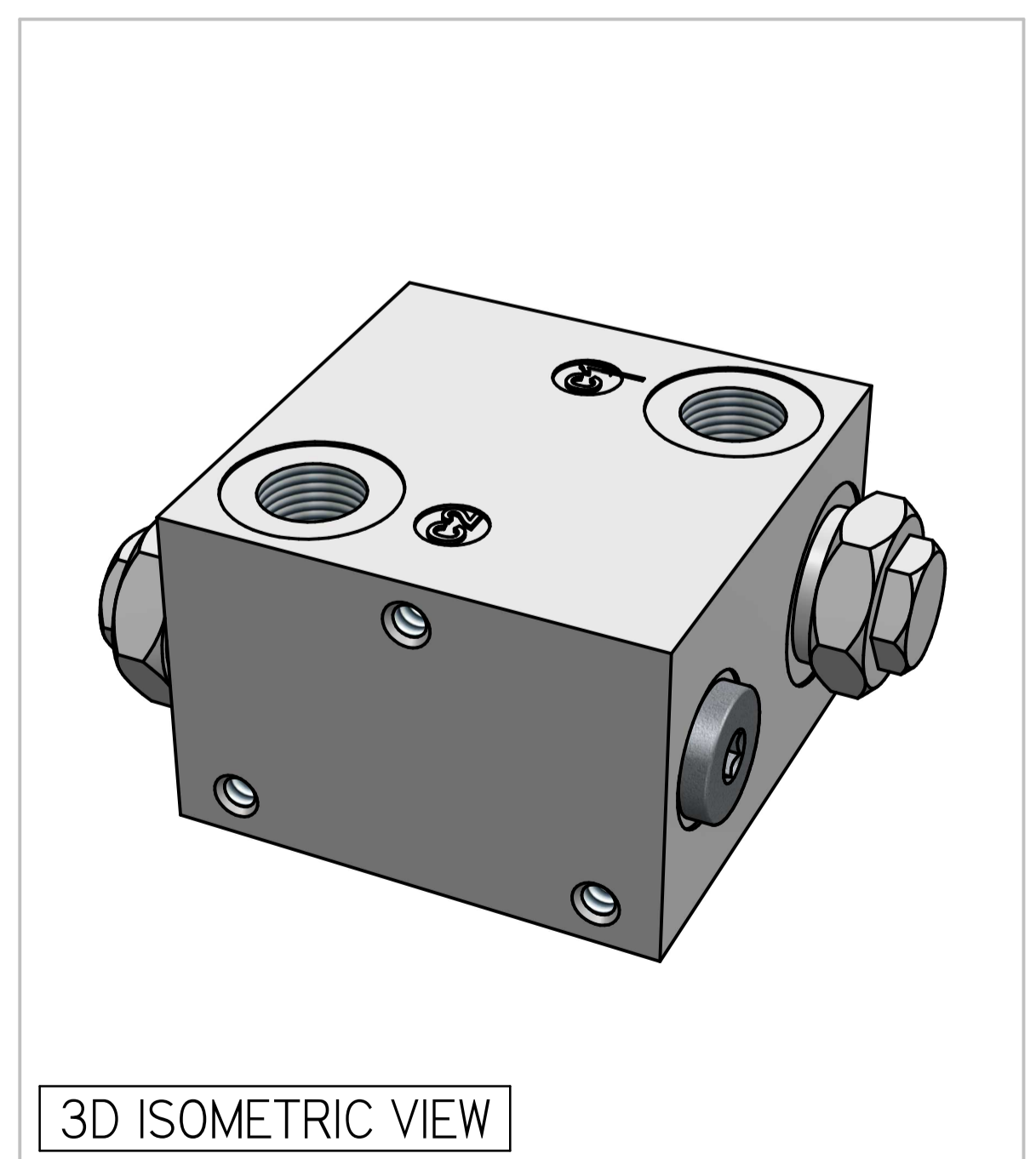
Features

These valves use two check cartridges in a housing containing pushers. The valve housings have 4 ports with mounting holes for immediate installation onto hydraulic systems. Moving parts are hardened and then match ground for a long service life.

Specifications

Figures based on: Oil Temp = 40°C Viscosity = 40 cSt

| | |
|--------------------|---|
| Max Flow | 30 lpm |
| Max Pressure | 250 bar |
| Cracking Pressure | 1 bar |
| Pilot Ratio | 4:1 |
| Cartridge Material | Working parts : Hardened, ground steel External surfaces : Zinc plated |
| Weight | DLCV 3W- 0.820 kgs |
| Manifold Material | Aluminium (upto 250 bar) |
| Mounting | Line |
| Seal Kit Number | SKDLCV (Nitrile) |
| Filtration Level | BS5540/4 Class 18/13 (25µ nominal) |
| Operating Temp | -20°C to +90°C (Standard Seals) |
| Leakage | Less than 0.3 millilitres/min (5 dpm) |
| Viscosity Range | 5 to 500 cSt |



Where measurements are critical request certified drawings. We reserve the right to change specifications without notice.

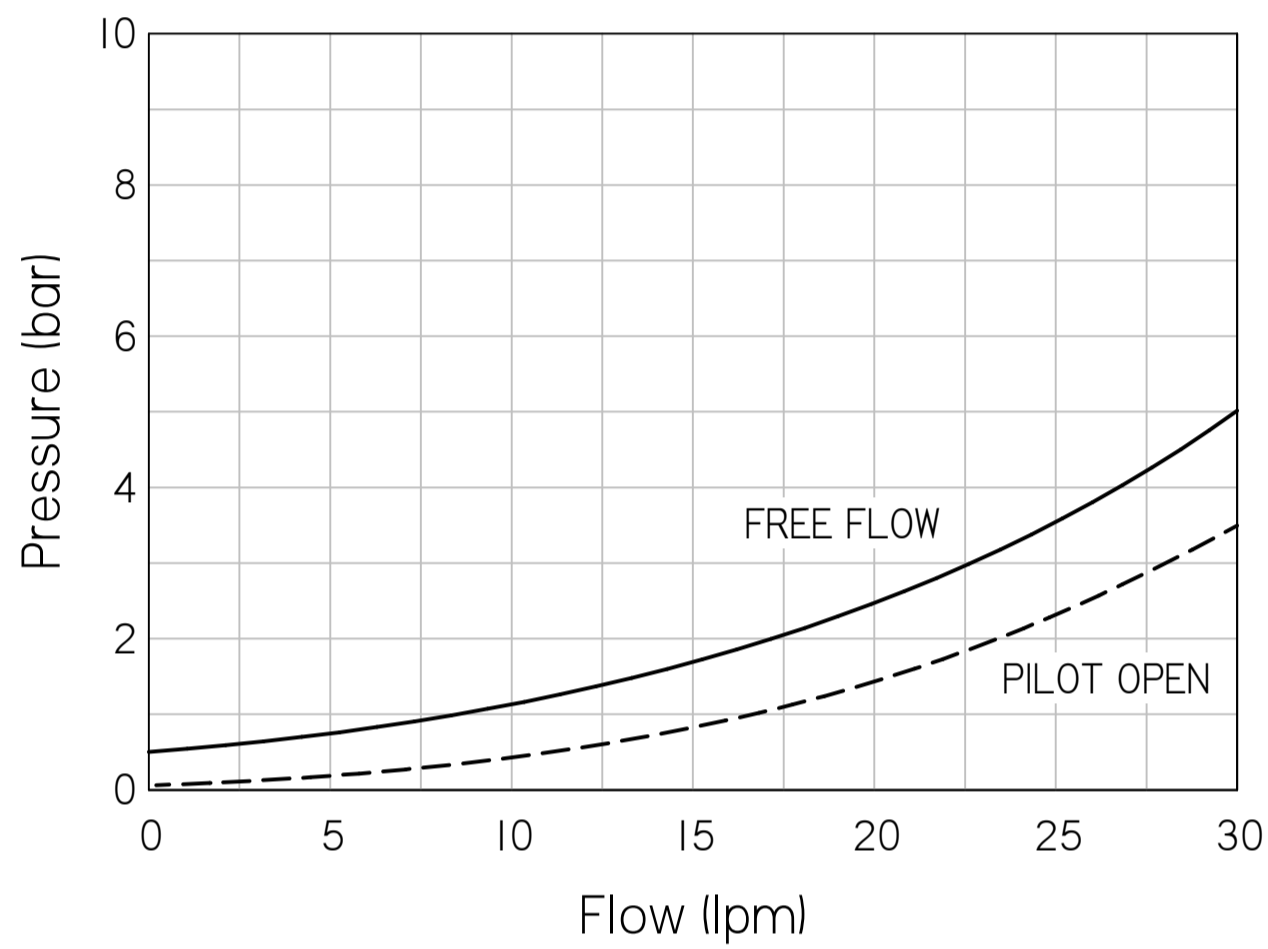
TO ORDER

DLCV 3W N

BASIC CODE ————
PORT SIZE ————
3W: 3/8 BSP PORTS

SEAL KIT
N: NITRILE

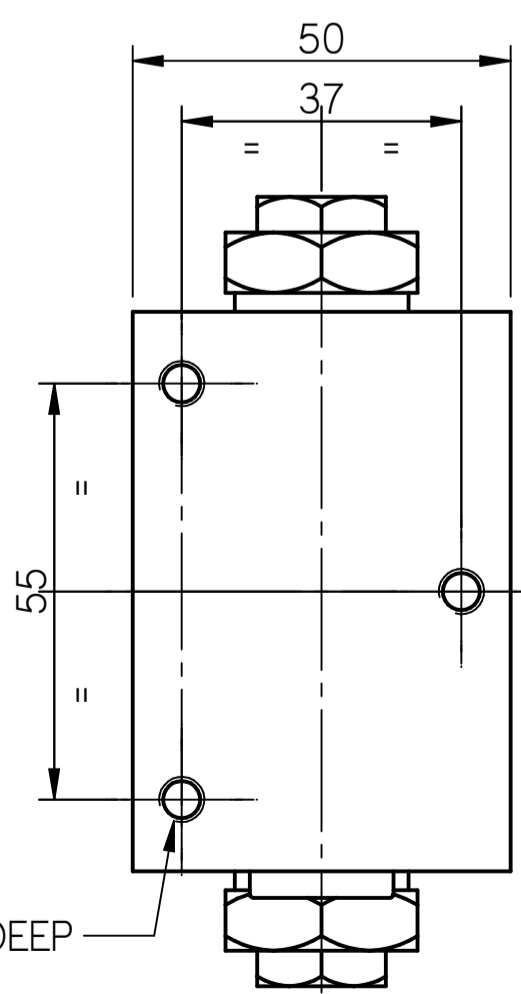
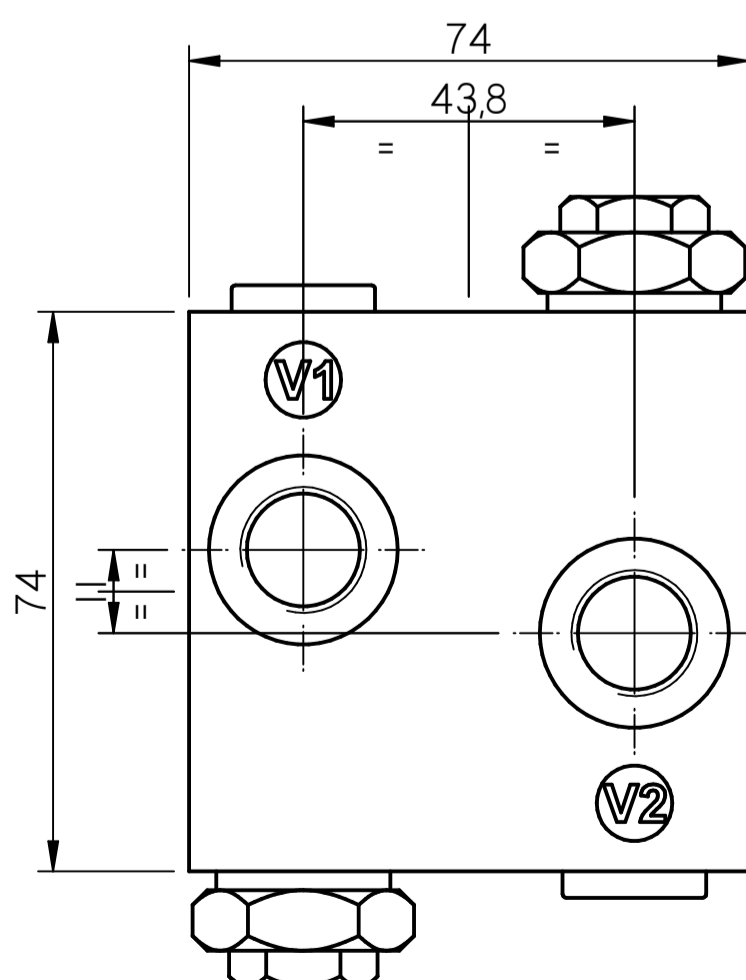
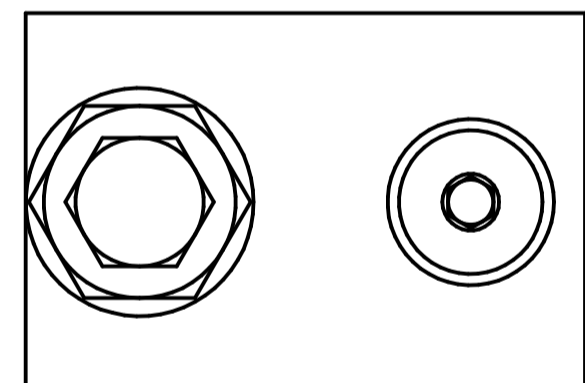
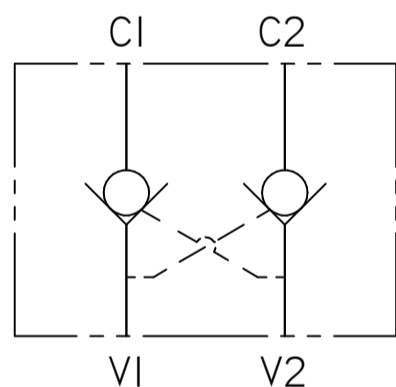
PRESSURE CHARACTERISTICS



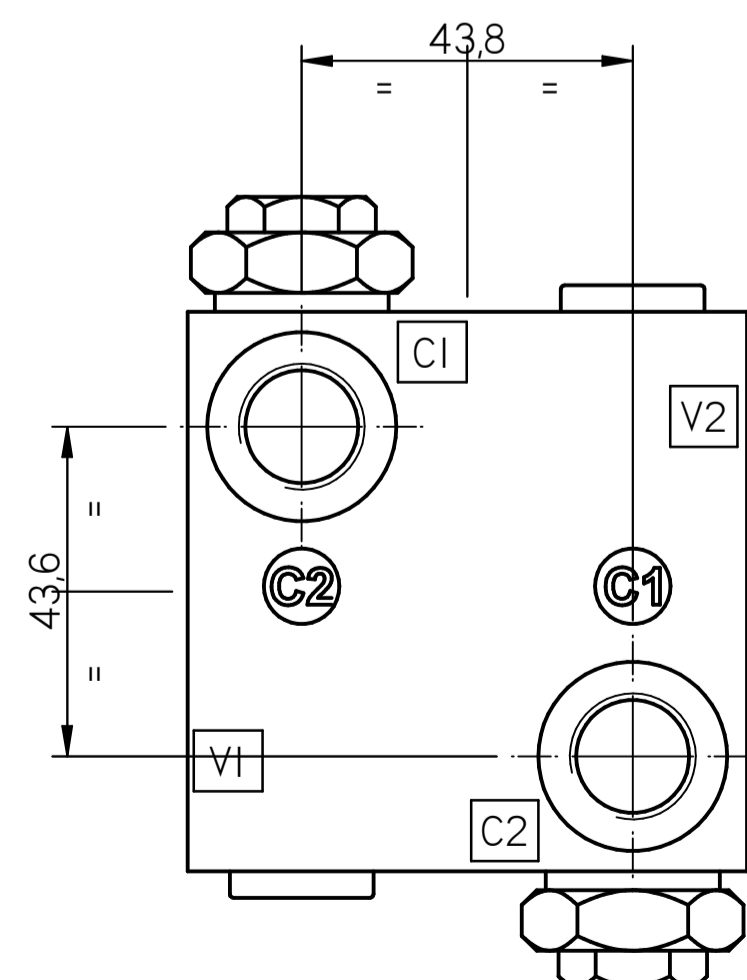
5

COMPLETE VALVE 3/8" BSP PORTS

BASIC CODE: DLCV 3W N



M6 - 16 DEEP
3 PLACES



Where measurements are critical request certified drawings. We reserve the right to change specifications without notice.