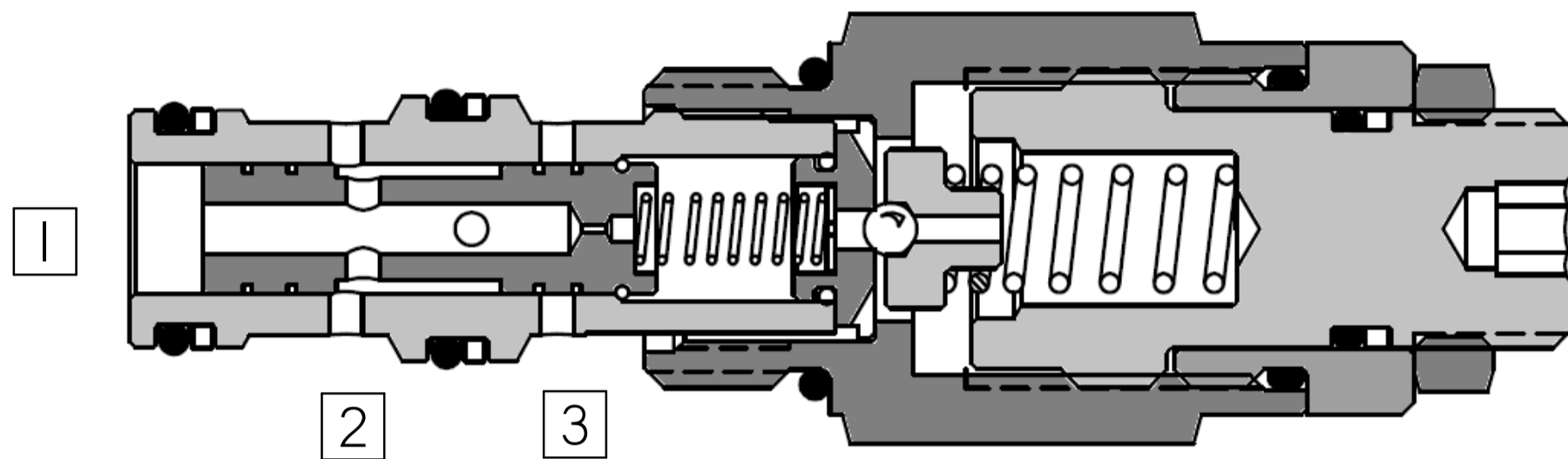
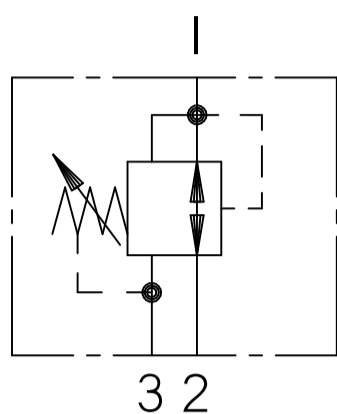
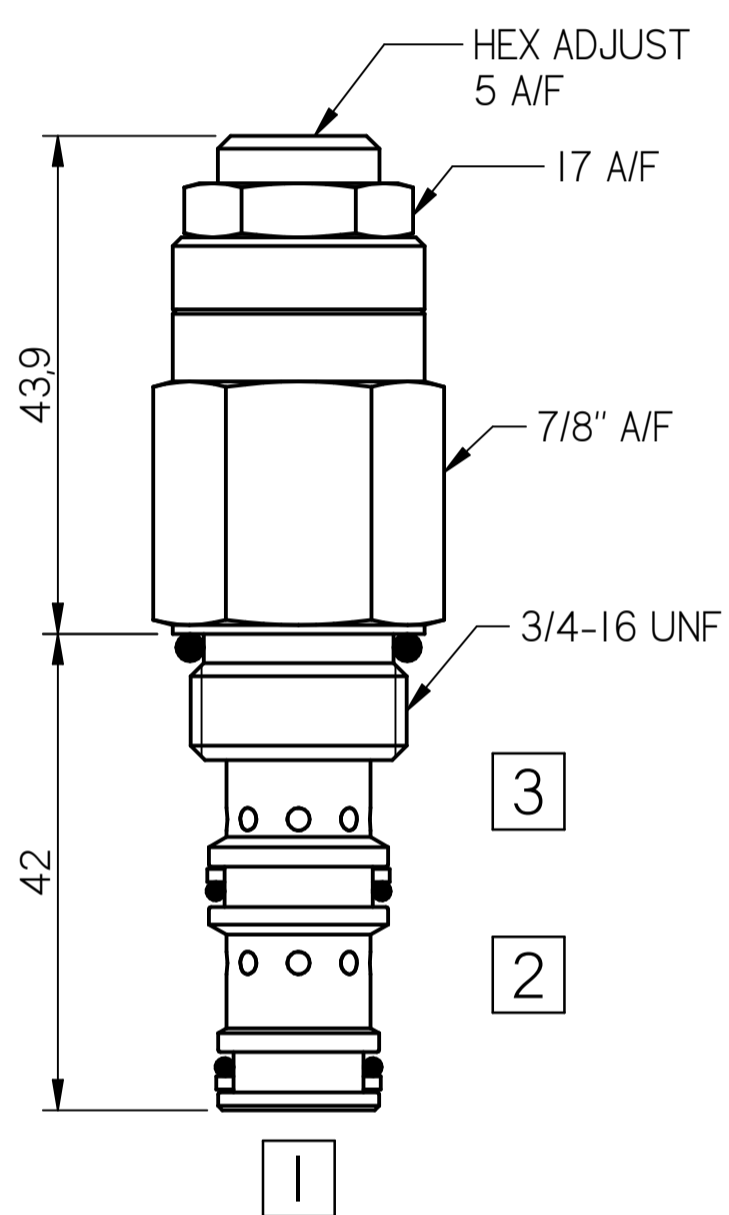


FLUID POWER SYMBOL



3



Application

Pressure reducing valves are normally open valves that are used to maintain constant downstream pressure lower than the inlet pressure. They are ideal for use in two actuator systems or to protect low pressure actuators such as brake cylinders, clamping cylinders or even for joystick operation.

Operation

The PA08 in steady state will allow bi-directional flow between 1 and 2 with spring chamber 3 vented. When the preset pressure at 1 is achieved, the spool throttles to regulate pressure at 1

by restricting flow at 2. The valve will relieve 1 to 3.

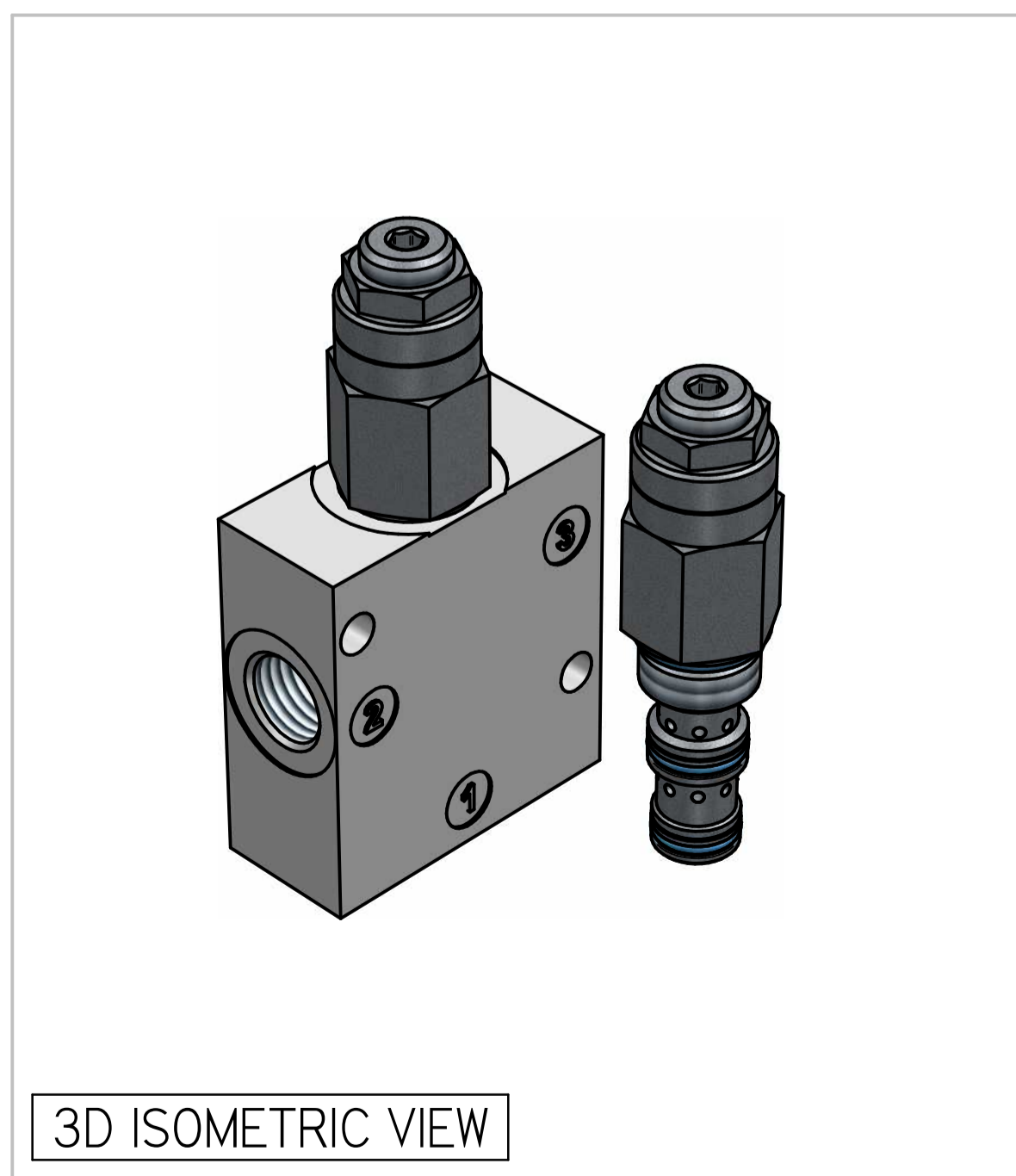
Features

Hardened precision spool and sleeve for long life. A variety of pressure ranges. High accuracy of pilot operated design with adjustments for preventing springs from going solid. Adjustment may be locked in place. Industry common cavity with a compact size.

Specifications

Figures based on: Oil Temp = 40°C Viscosity = 40 cSt

Rated Flow	22 lpm
Max Pressure	350 bar
Cartridge Material	Working parts : Hardened, ground steel External surfaces : Zinc plated
Weight (Cartridge only)	PA08: 0.120 kg
Cavity Number	SAE08-3 (Refer Cavities Section)
Manifold Material	Aluminium (upto 250 bar) Add Suffix '729' for SG Iron (350 bar)
Torque into Cavity	30 Nm
Mounting	Line
Seal Kit Number	SKPA08 (Nitrile) SKPA08V (Viton®)
Filtration Level	BS5540/4 Class I8/I3 (25µ nominal)
Operating Temp	-20°C to +90°C (Standard Seals)
Leakage	82 millilitres/min @ 210 bar
Viscosity Range	5 to 500 cSt



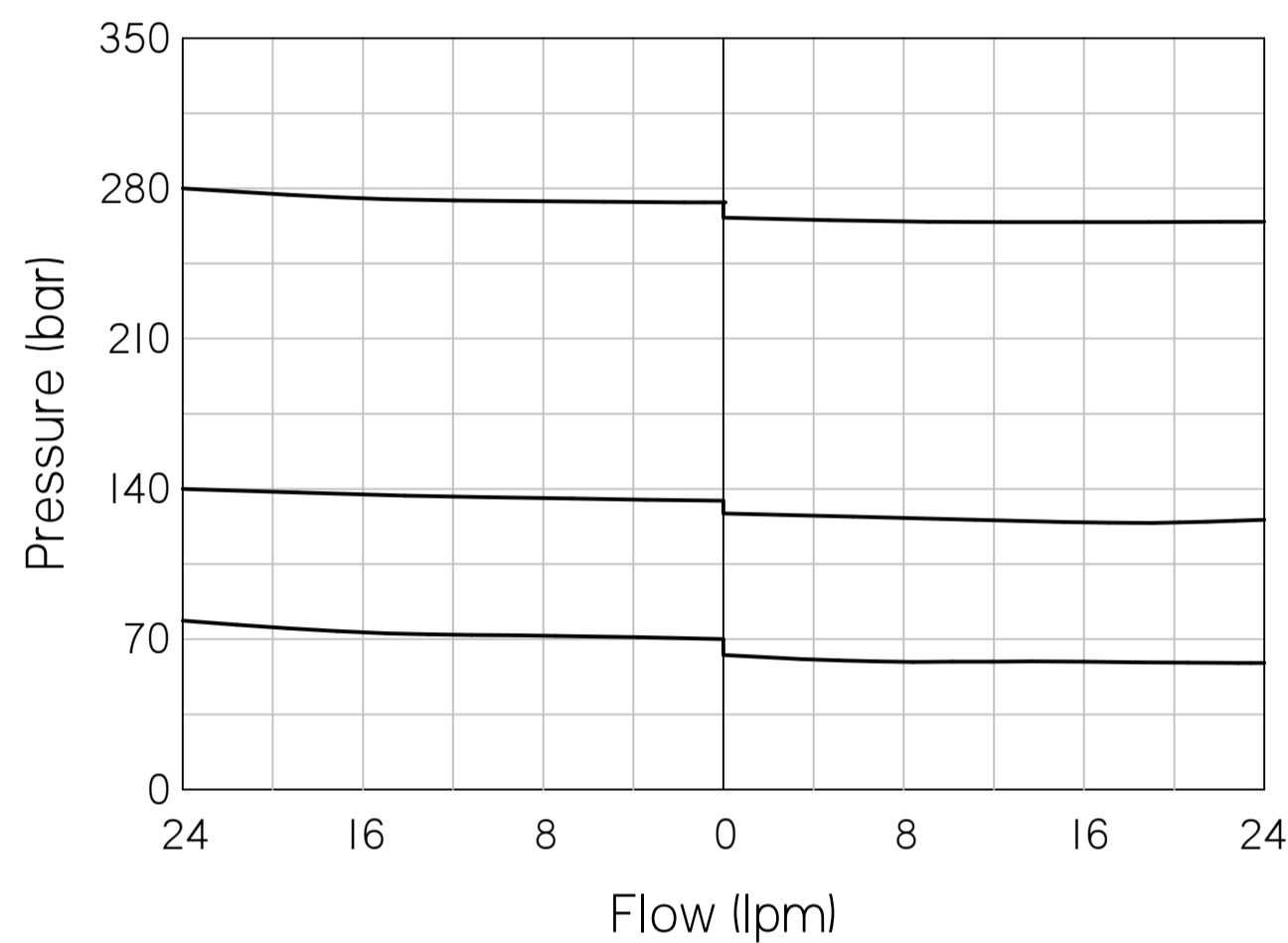
Where measurements are critical request certified drawings. We reserve the right to change specifications without notice.

TO ORDER

PA08 P 3W 20 N

BASIC CODE	PA08	SEAL KIT	N: NITRILE
ADJUSTMENT	P: LEAKPROOF SCREW ADJUST	PRESSURE RANGE	10: 20 to 140 bar. Std setting 20 bar
PORT SIZE	3W: 3/8 BSP PORTS OMIT FOR CARTRIDGE		20: 125 to 275 bar. Std setting 207 bar
			35: 140 to 350 bar. Std setting 275 bar

PRESSURE CHARACTERISTICS

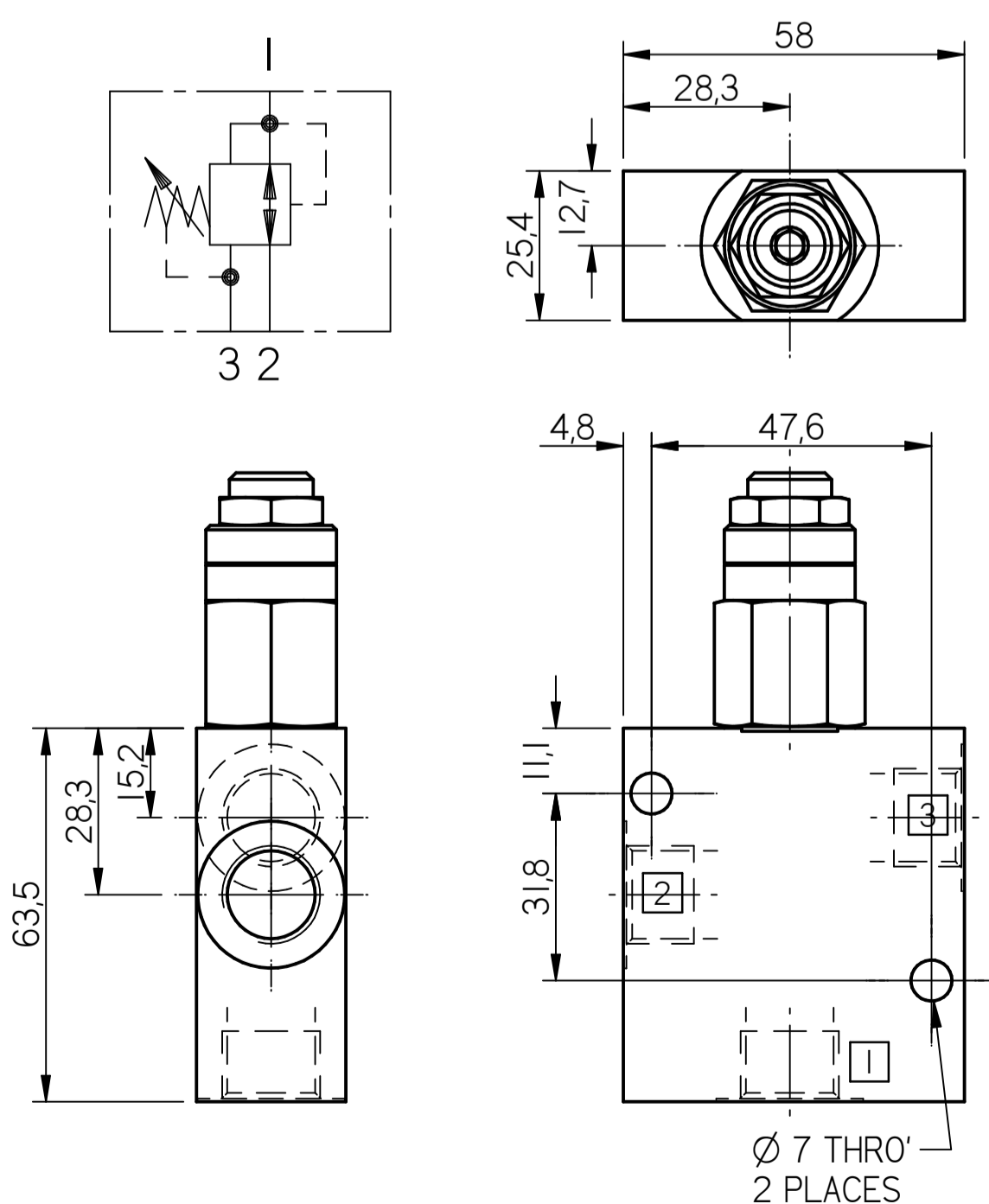


COMPLETE VALVE 3/8" BSP PORTS

BASIC CODE: PA08 3W

ONLY Body Part Numbers (BSP)

Aluminium	SG Iron
3/8" Z10009	3/8" Z10009S



Where measurements are critical request certified drawings. We reserve the right to change specifications without notice.