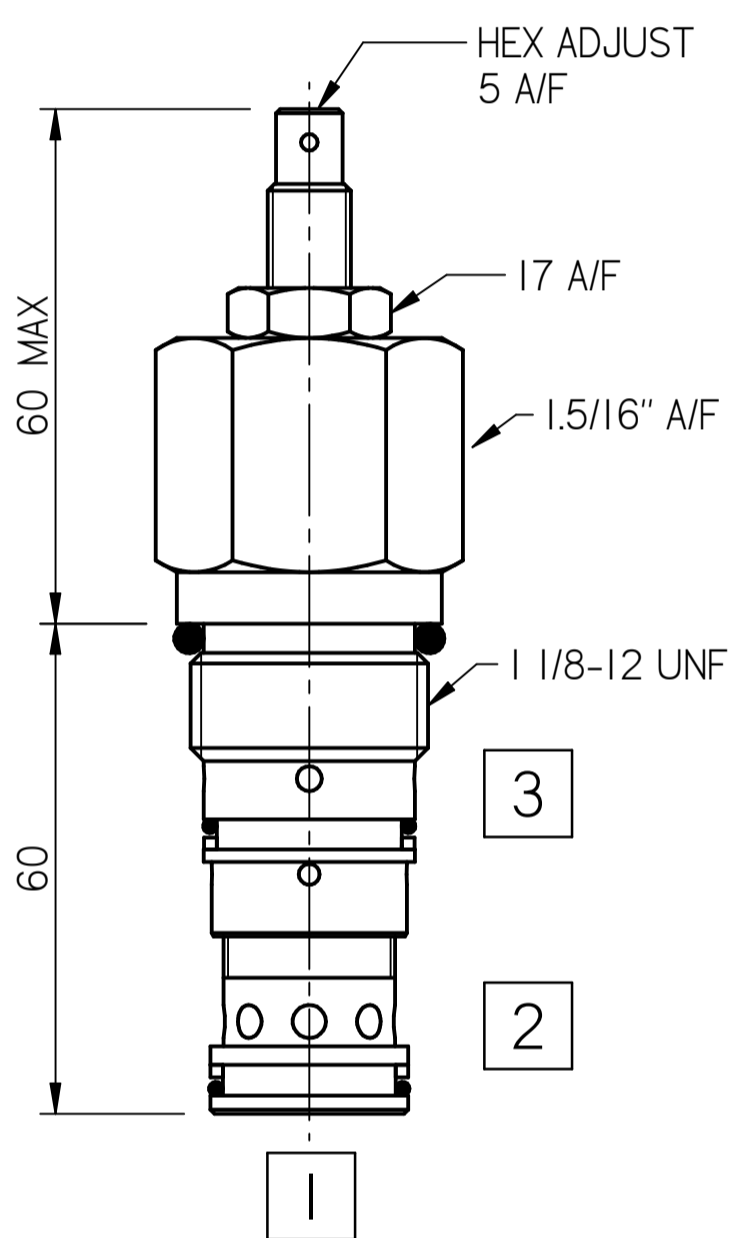
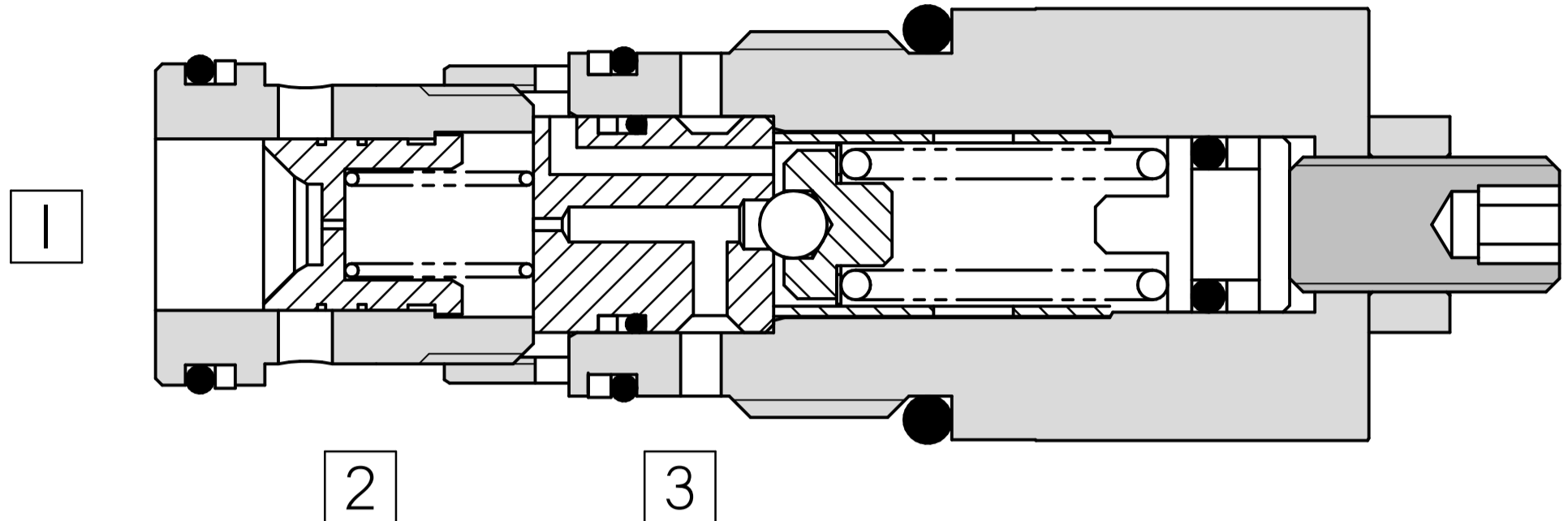
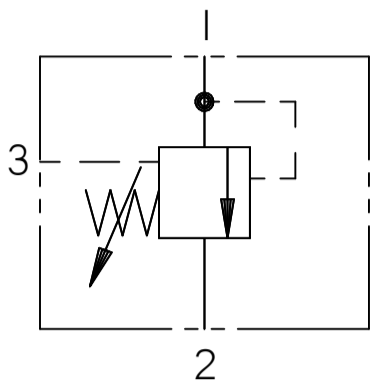


FLUID POWER SYMBOL



Application

The VR Series valves are used to limit the pressure within a system. They are ideal for continuous duty providing accurate pressure control with constant or varying flows. The additional Vent feature can be used with remote pilot section for a two pressure system or to allow manual or remote unloading of the pump.

Operation

When the inlet pressure exceeds the setting of the valve, the pilot section opens, causing a small flow across the orifice in the main spool. The subsequent pressure drop moves the spool against a light spring opening a ring of radial holes in the sleeve,

allowing relief flow to tank. When the valve is vented, the chamber is referenced directly to tank. This pressure release causes a pressure imbalance opening the main section and dumping the pump to tank at minimum pressure drop.

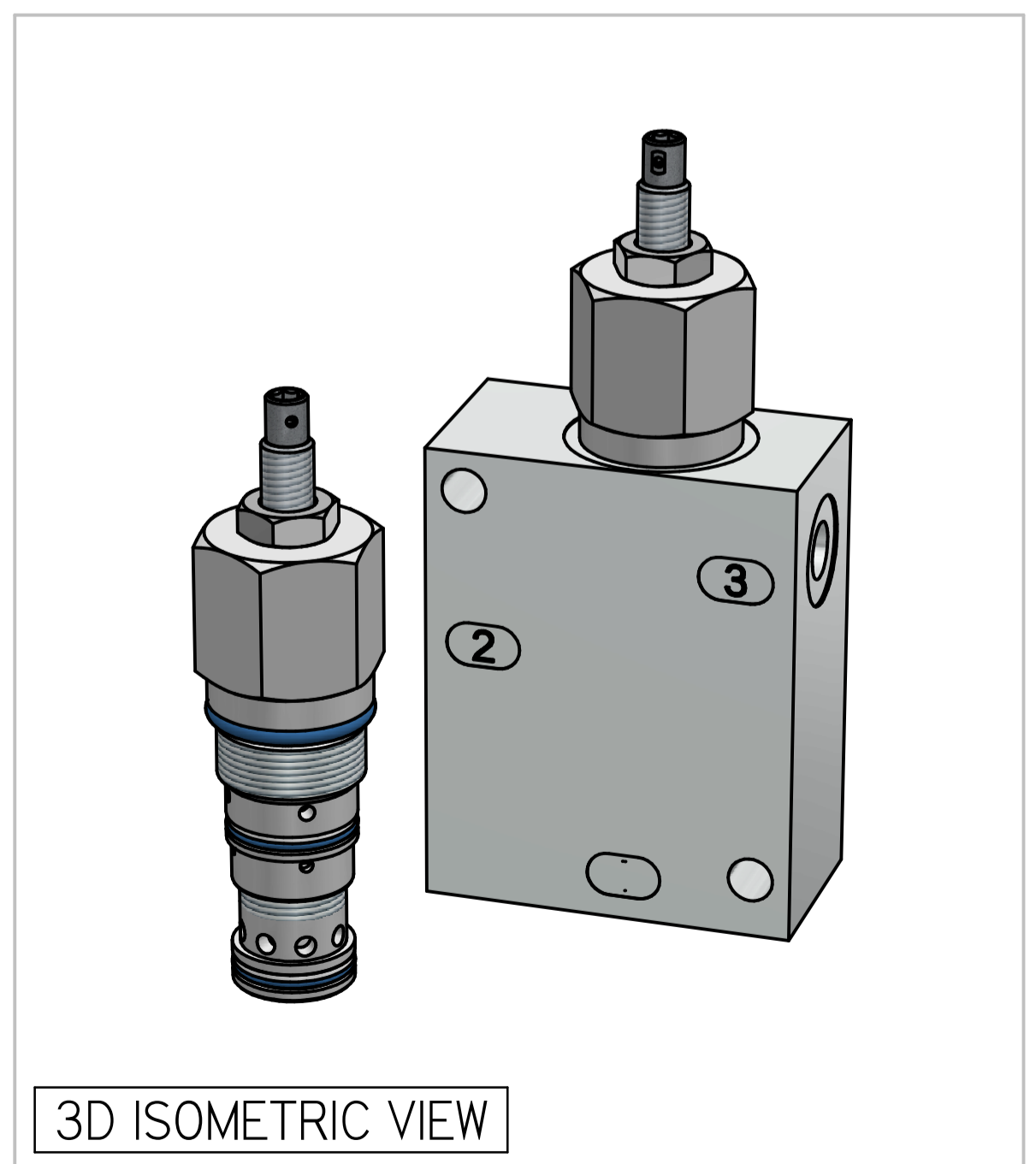
Features

High accuracy of pilot operated design. Hardened working parts ensure a long, reliable, trouble-free life. Ventable for versatility of operation. Cartridge construction for installation in customer's manifold.

Specifications

Figures based on: Oil Temp = 40°C Viscosity = 40 cSt

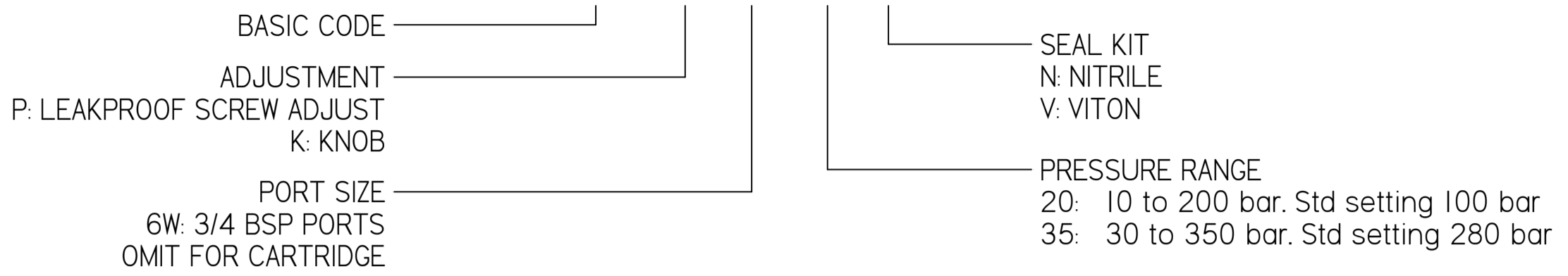
Rated Flow	150 lpm
Max Pressure	350 bar
Cartridge Material	Working parts : Hardened, ground steel External surfaces : Zinc plated
Weight (Cartridge only)	VRI50: 0.460 kg
Cavity Number	TH3146 (Refer Cavities Section)
Manifold Material	Aluminium (upto 250 bar) Add Suffix '729' for SG Iron (350 bar)
Torque into Cavity	75 Nm
Mounting	Line/Subplate
Seal Kit Number	SKVRI50 (Nitrile) SKVRI50V (Viton®)
Filtration Level	BS5540/4 Class I8/I3 (25µ nominal)
Operating Temp	-20°C to +90°C (Standard Seals)
Leakage	Less than 35 millilitres/min
Viscosity Range	5 to 500 cSt



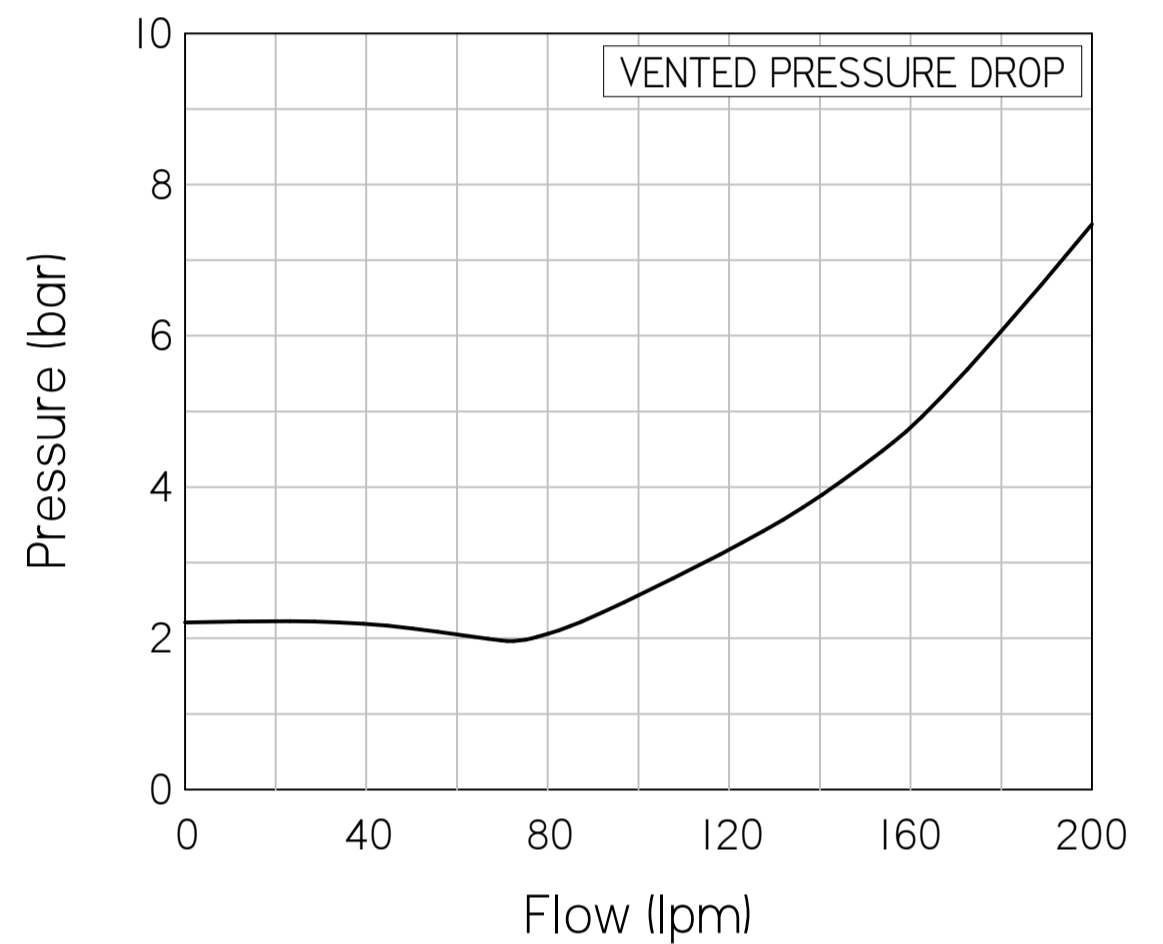
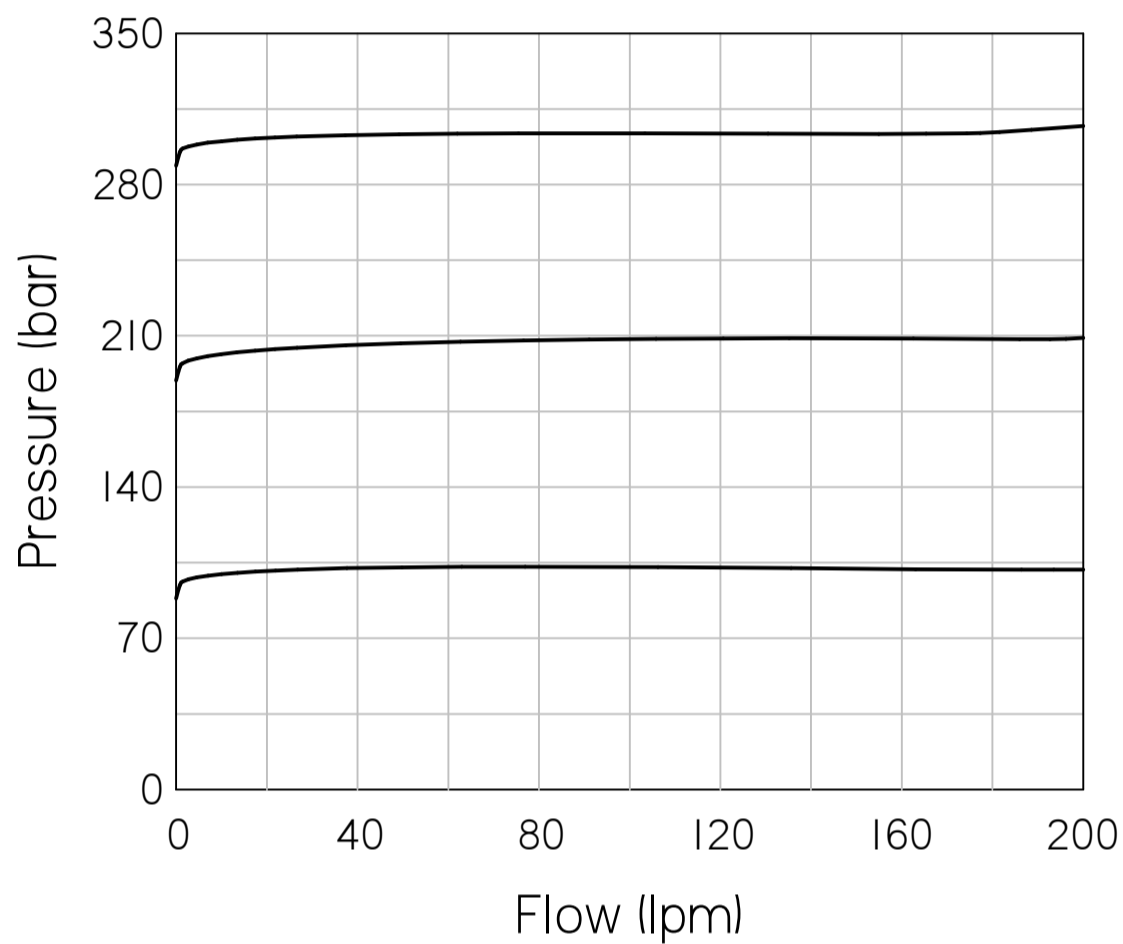
Where measurements are critical request certified drawings. We reserve the right to change specifications without notice.

TO ORDER

VRI50 P 6W 35 N



PRESSURE CHARACTERISTICS

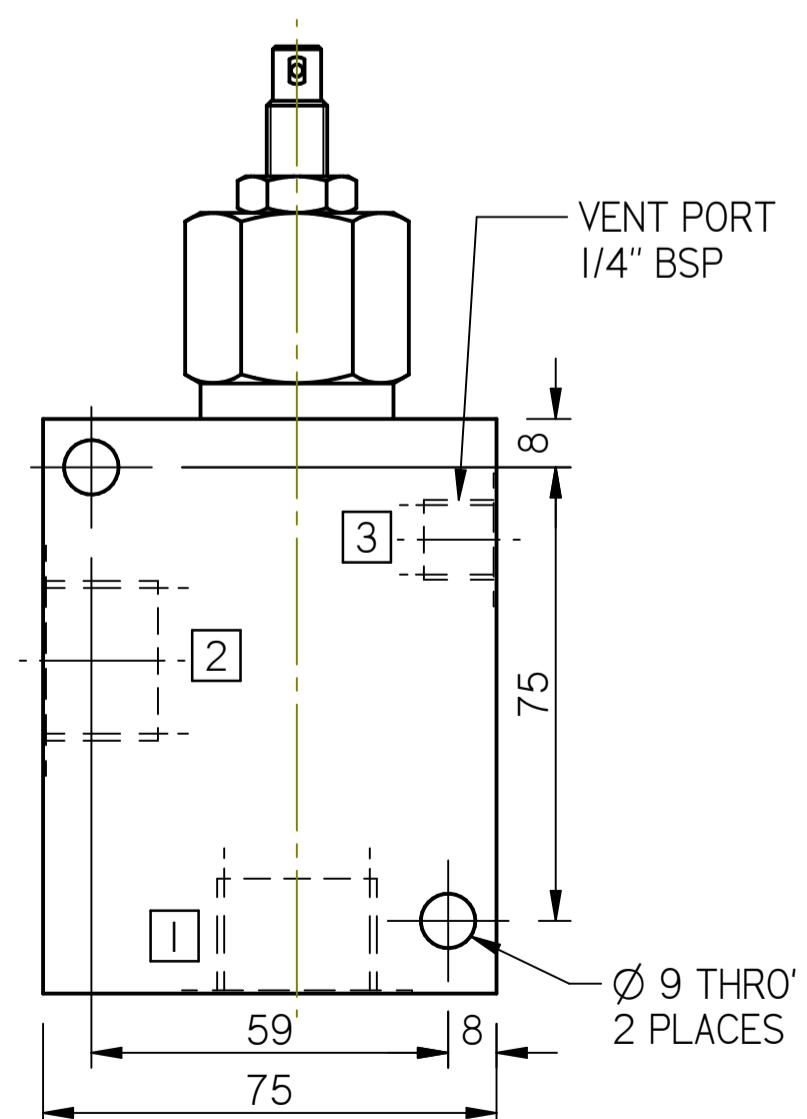
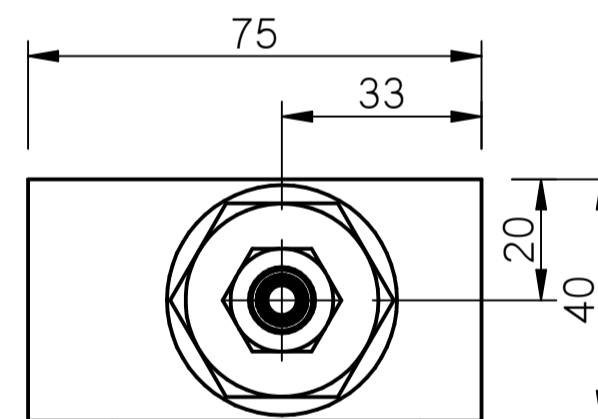
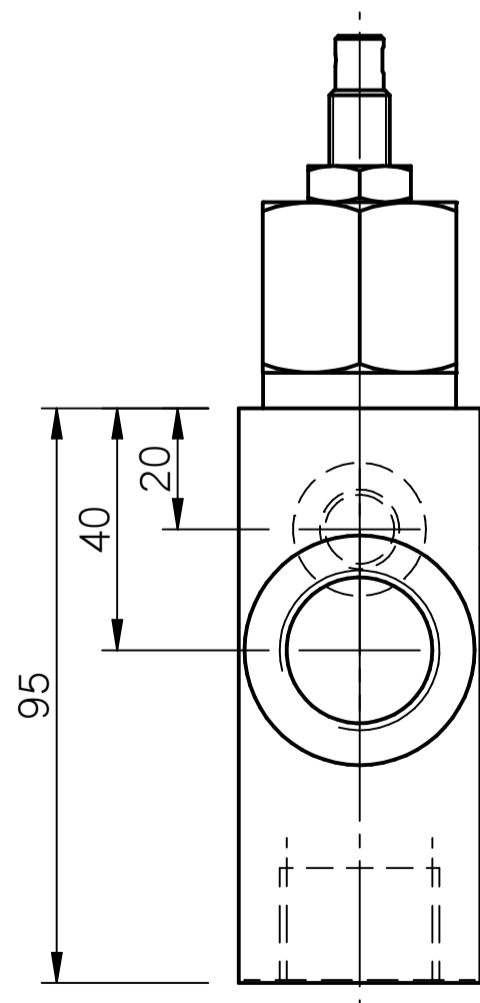
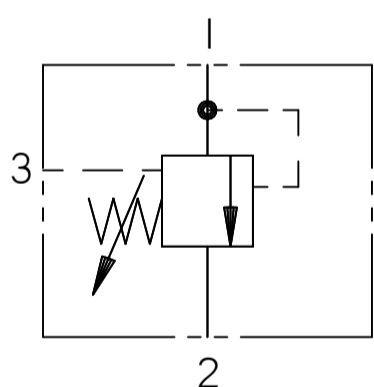


COMPLETE VALVE 3/4" BSP PORTS

BASIC CODE: VRI50 6W

ONLY Body Part Numbers (BSP)

Aluminium	SG Iron
3/4" ZI0396	3/4" ZI0396S



Where measurements are critical request certified drawings. We reserve the right to change specifications without notice.