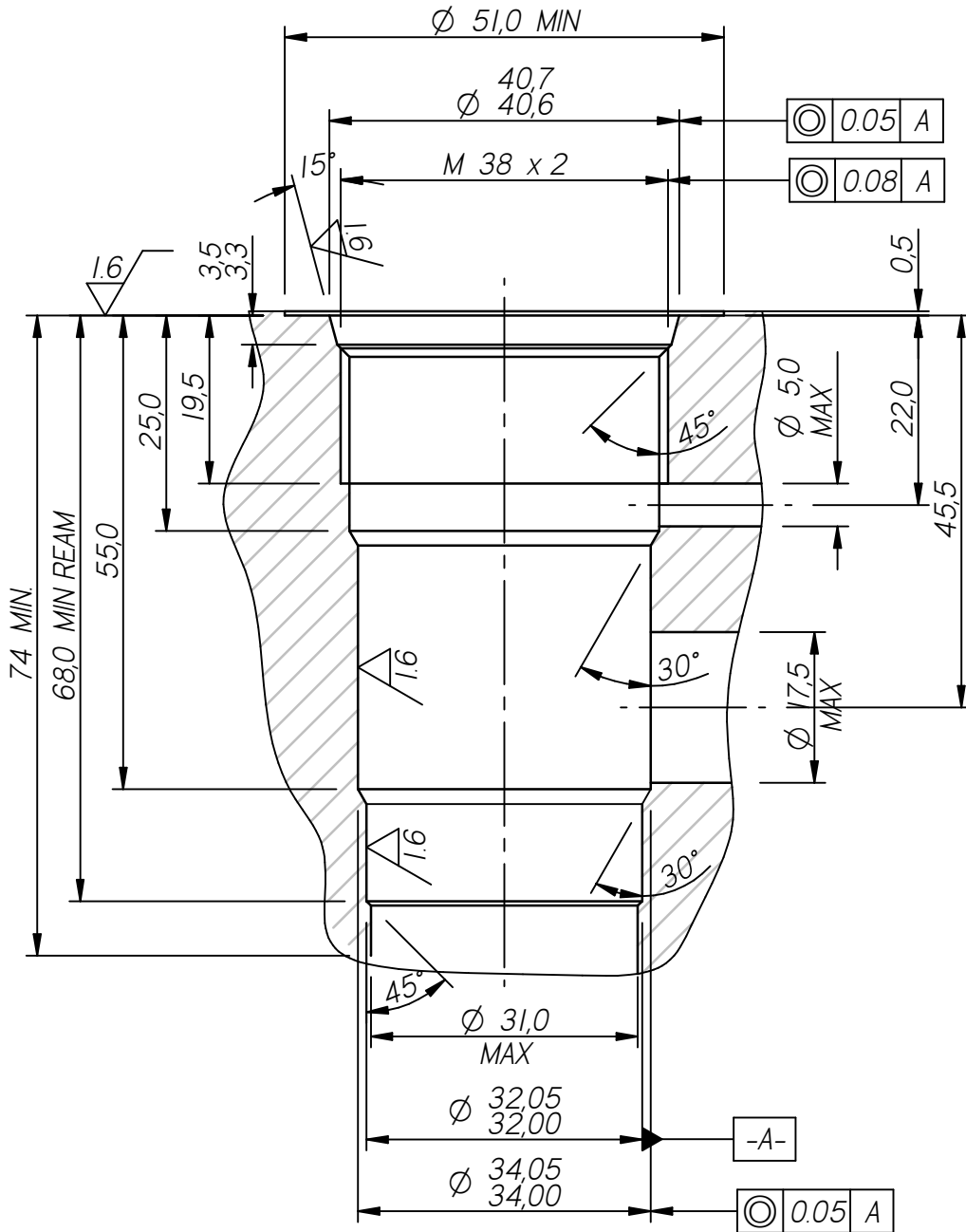


CAVITY TH2008I



FORM TOOLS
Form Drill
Form Reamer
Thread Tap

FRA2369/1
FRA2369/2
M38 x 2,0

CARTRIDGES
OSI I45
CK I45

DATASHEET
4-240
5-525

Where measurements are critical request certified drawings. We reserve the right to change specifications without notice.