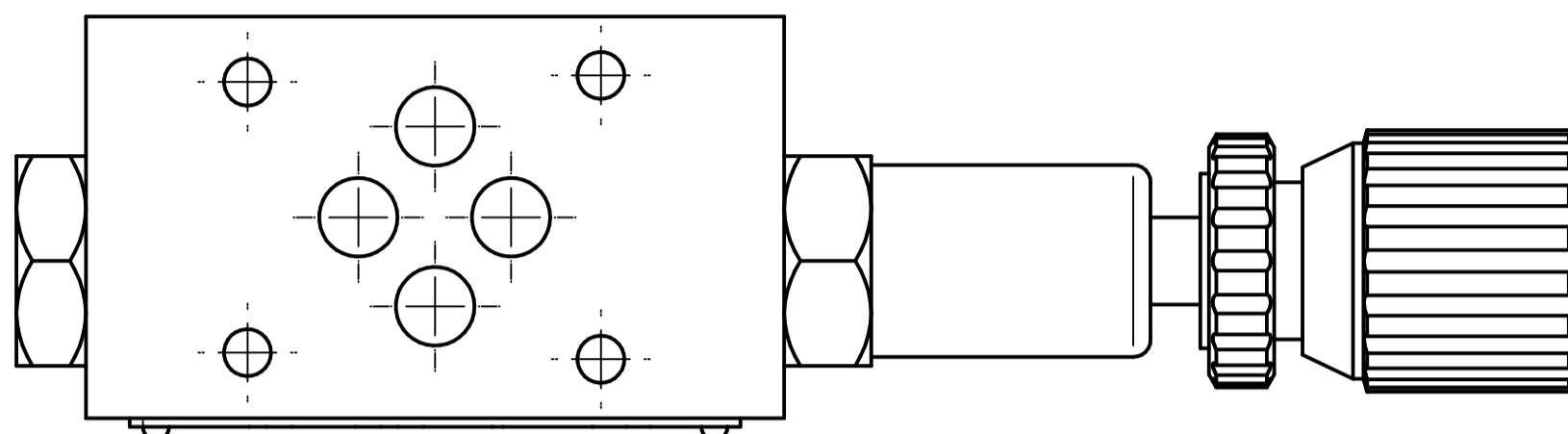
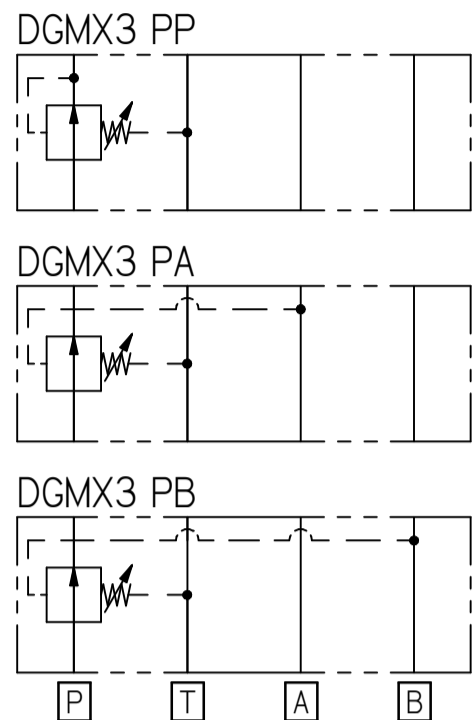


FLUID POWER SYMBOL



Application

The modular or sandwich valve is stacked along with directional valves in CETOP 3 interfaces to provide a reducing valve system in various ports depending on the configuration. The valve can be used to either reduce pressure in the main pressure port 'P' or the actuator ports 'A' or 'B'.

Operation

As with all pressure reducing valve valves, when the upstream pressure at P, A or B exceeds the set pressure value, the spool shifts, closing the radial holes and reducing pressure via the Tank Port. The pressure can be set by adjusting the knob.

Features

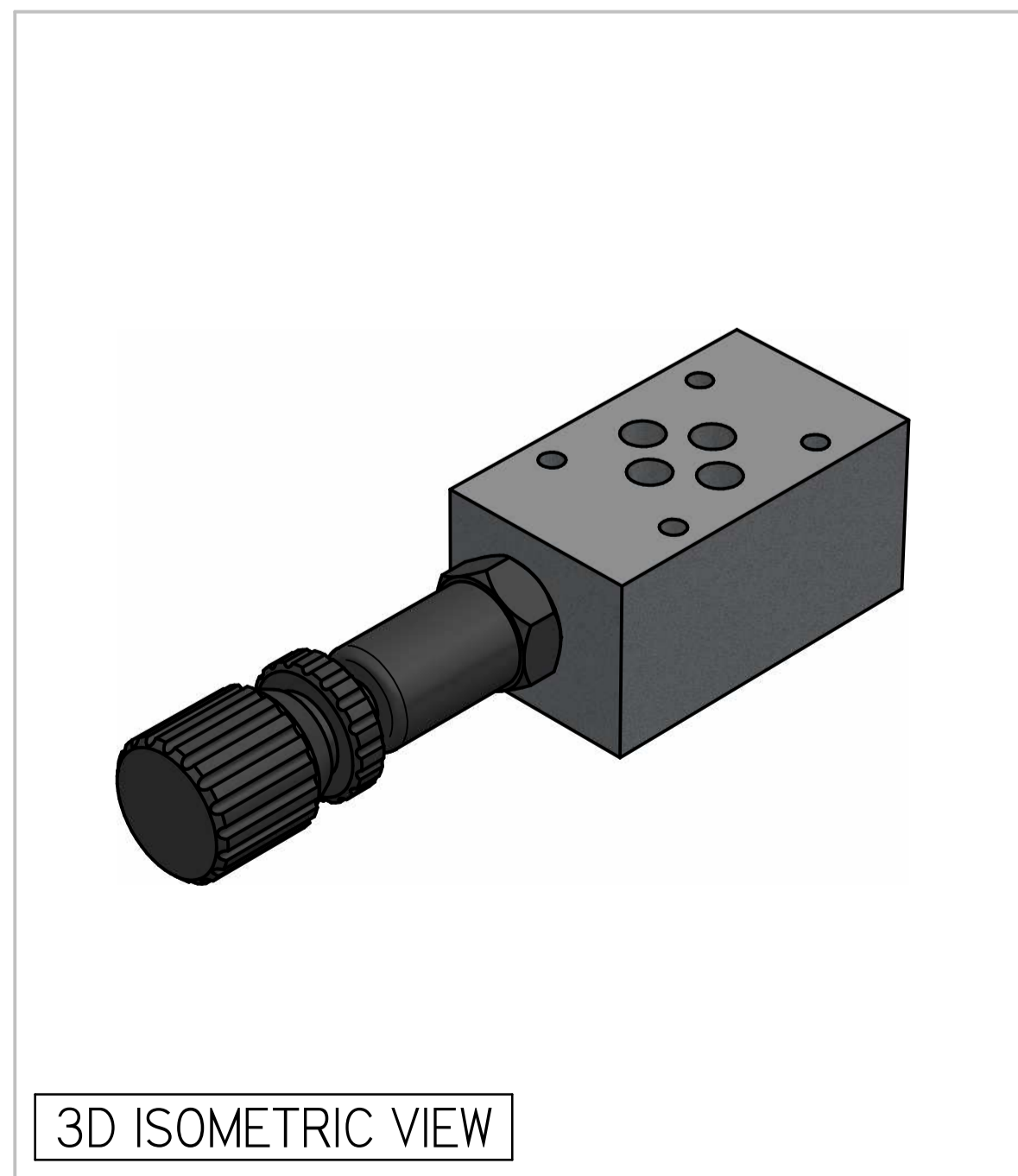
Sandwich construction offers a compact solution. Hardened working parts ensure a long, reliable and trouble-free life. The cartridge construction gives flexibility in servicing.

12

Specifications

Figures based on: Oil Temp = 40°C Viscosity = 40 cSt

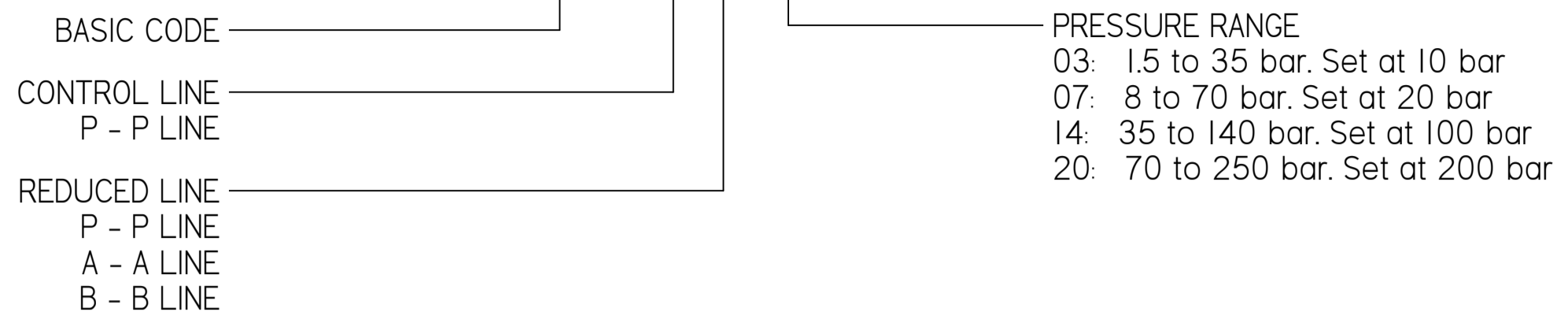
Max Flow	30 lpm
Max Pressure	350 bar
Cartridge Material	Working parts : Hardened, ground steel External surfaces : Zinc plated
Weight	DGMX3: 1.20 kgs
Manifold Material	Cast Iron
Mounting	CETOP3
Seal Kit Number	Contact Sales Office
Filtration Level	BS5540/4 Class 18/13 (25µ nominal)
Operating Temp	-20°C to +90°C (Standard Seals)
Leakage	Contact Sales Office
Viscosity Range	5 to 500 cSt



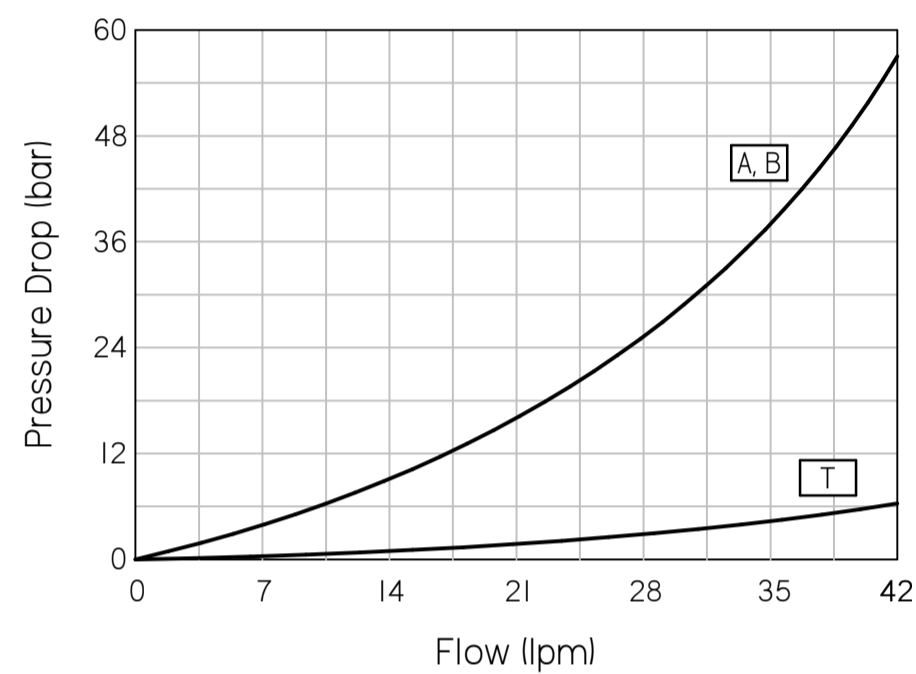
Where measurements are critical request certified drawings. We reserve the right to change specifications without notice.

TO ORDER

DGMX3 P A 20

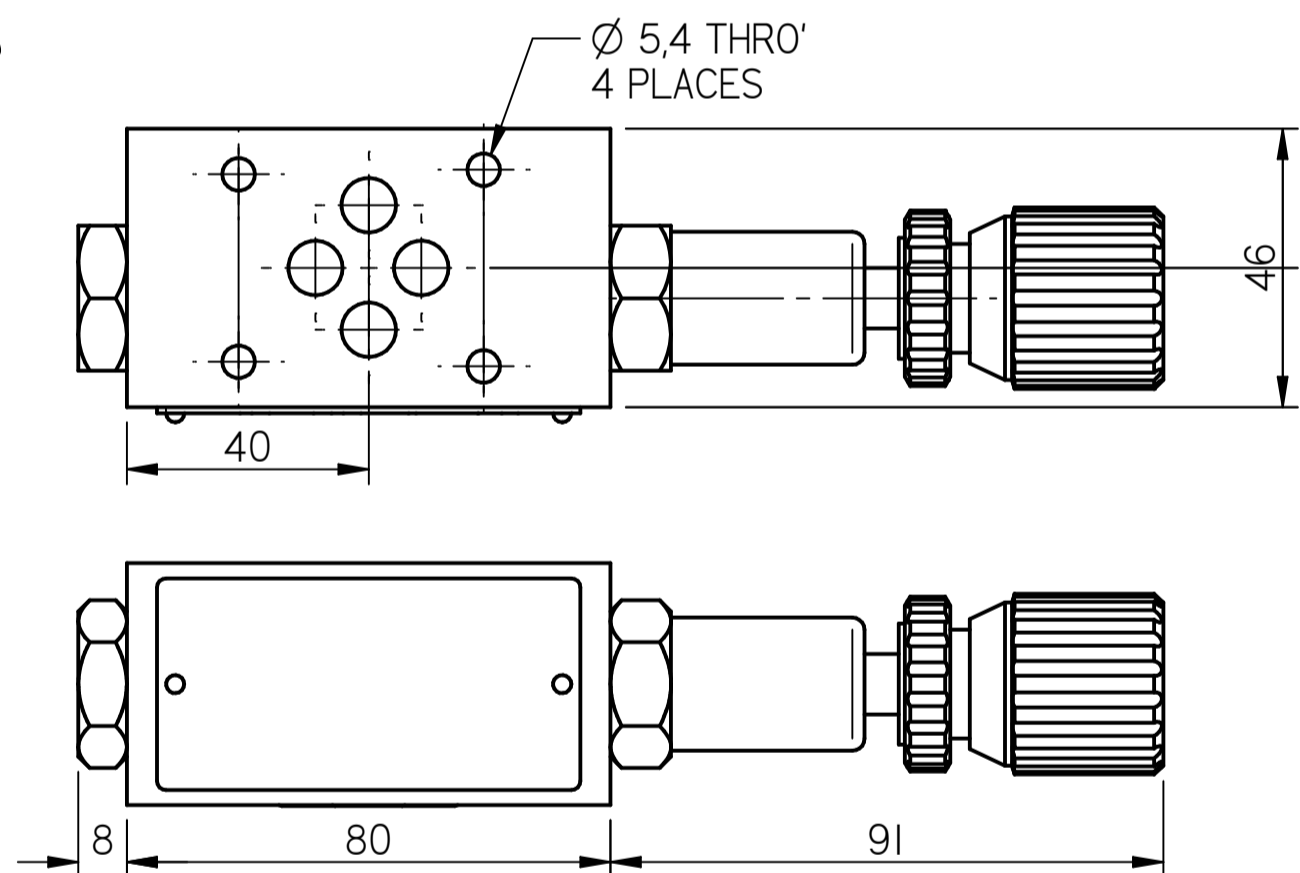


PRESSURE CHARACTERISTICS



COMPLETE VALVE CETOP3

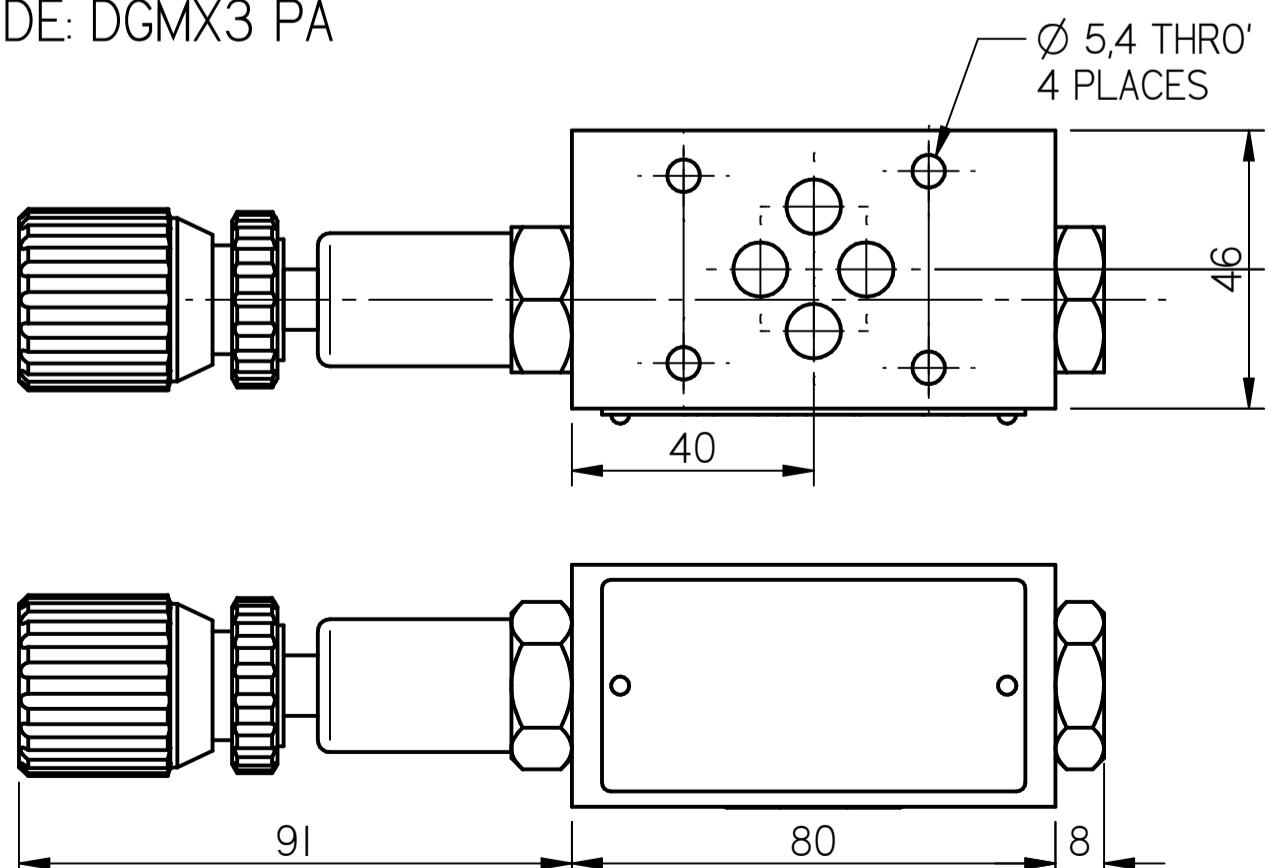
BASIC CODE: DGMX3 PP / PB



12

COMPLETE VALVE CETOP3

BASIC CODE: DGMX3 PA



Where measurements are critical request certified drawings. We reserve the right to change specifications without notice.