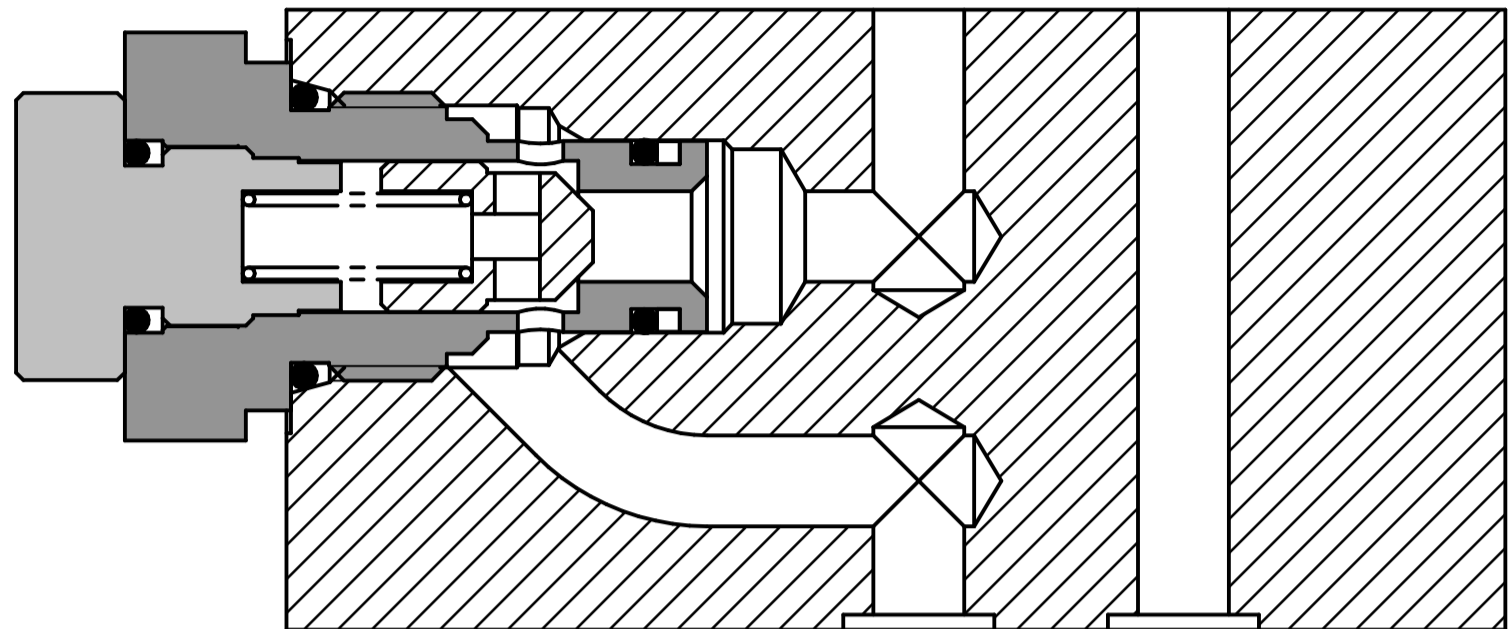
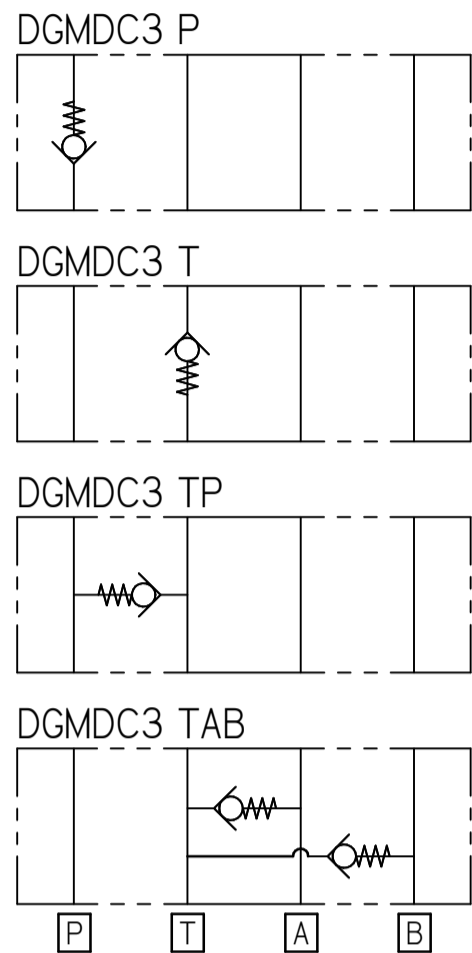


### FLUID POWER SYMBOL



### Application

The modular or sandwich valve is stacked along with directional valves in CETOP 3 interfaces to provide a check valve system in various ports depending on the configuration. The valve can be used to either prevent back flow into the pump, suction flow from the tank or cavitation in the P, A or B lines.

### Operation

Free flow across the check valve is possible in one direction where the poppet opens. Reverse flow is blocked by the poppet reseating.

### Features

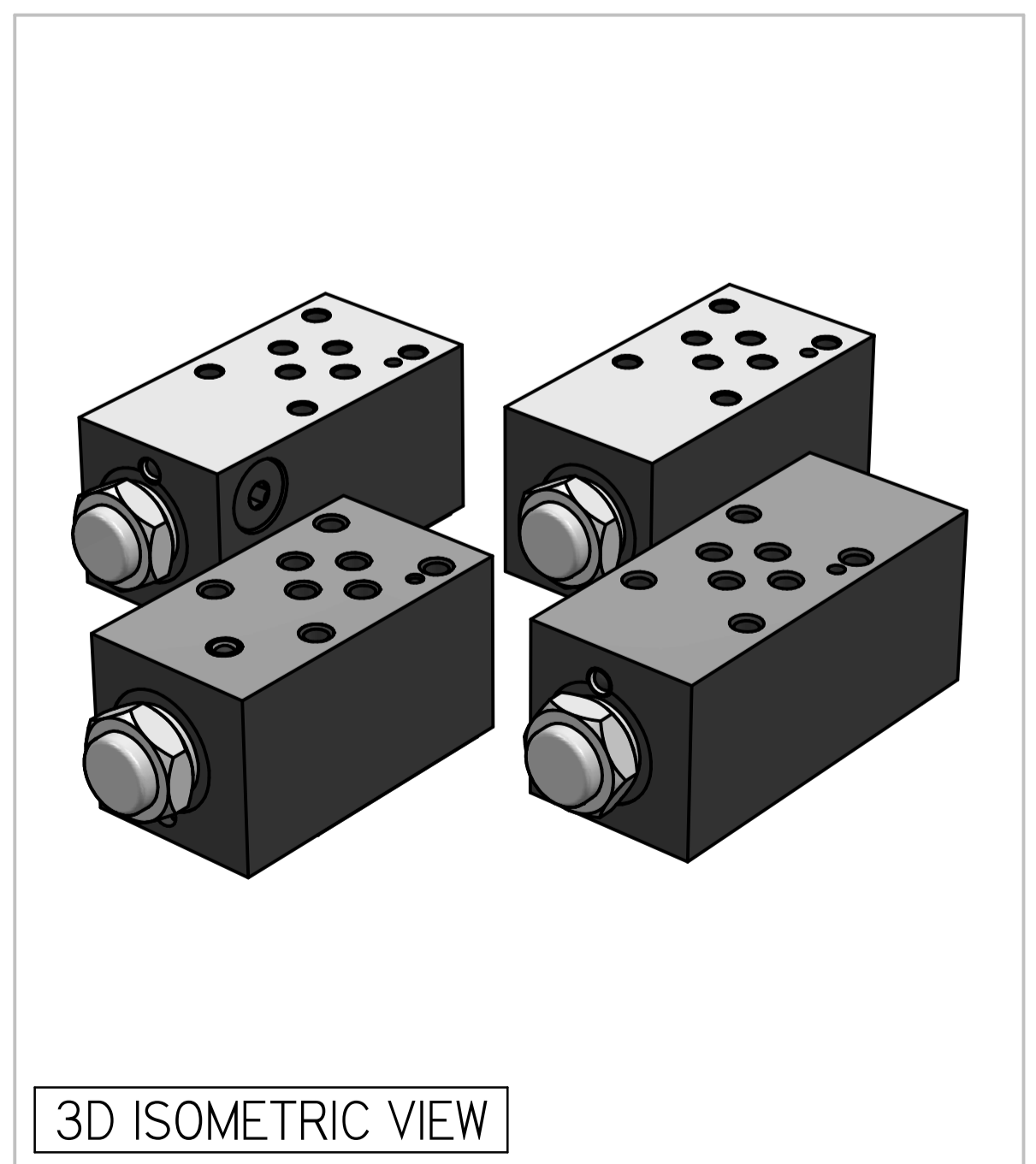
Sandwich construction offers a compact solution. Hardened working parts ensure a long, reliable and trouble-free life. The cartridge construction gives flexibility in servicing.

12

### Specifications

Figures based on: Oil Temp = 40°C Viscosity = 40 cSt

Rated Flow	See Graph
Max Pressure	350 bar
Cartridge Material	Working parts : Hardened, ground steel External surfaces : Zinc plated
Weight	DGMDC3 P*/T*/TP*: 1.2 kgs DGMDC3 TA* TB*: 1.4 kgs
Manifold Material	SG Iron
Mounting	CETOP3
Seal Kit Number	SKDGMDC3 (Nitrile) SKDGMDC3V (Viton®)
Filtration Level	BS5540/4 Class 18/13 (25µ nominal)
Operating Temp	-20°C to +90°C (Standard Seals)
Leakage	Less than 0.3 millilitres/min (5 dpm)
Viscosity Range	5 to 500 cSt



Where measurements are critical request certified drawings. We reserve the right to change specifications without notice.

