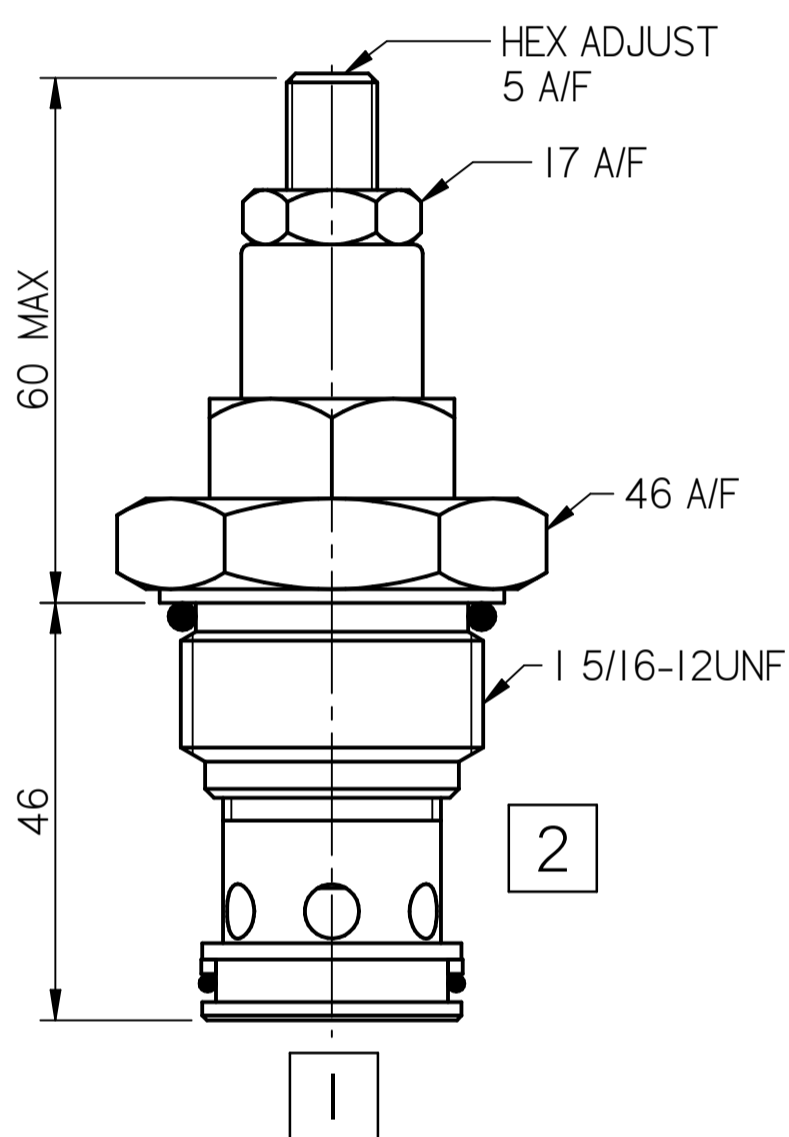
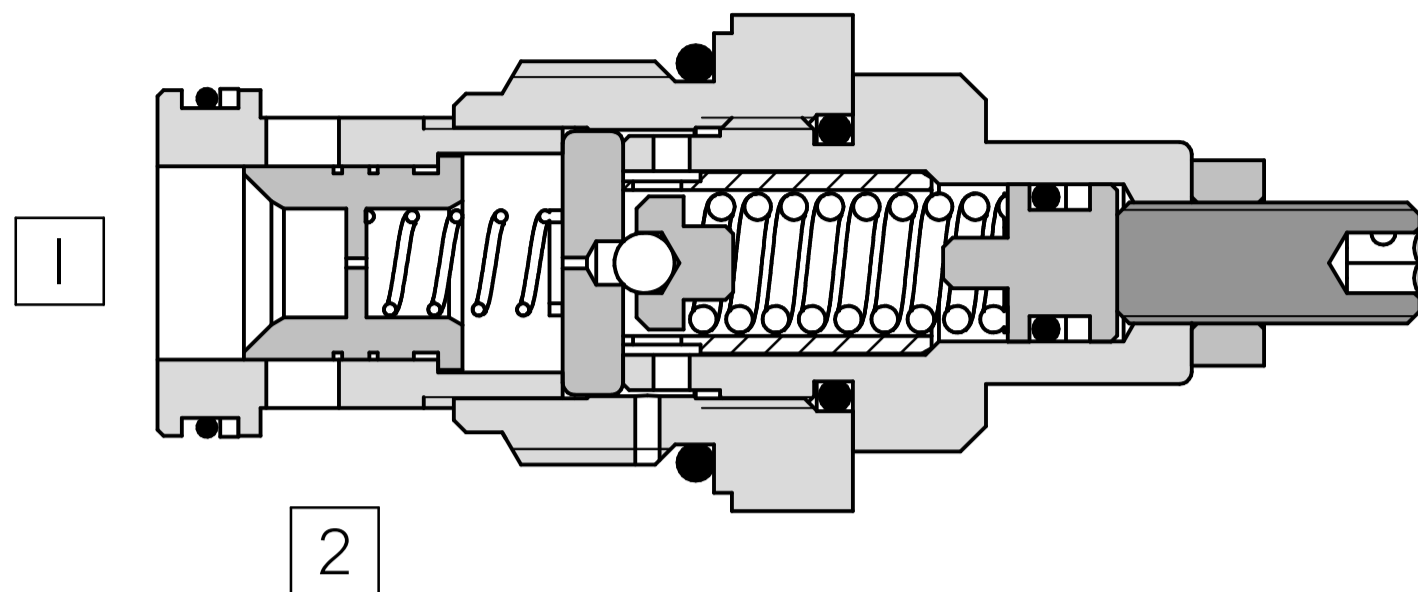
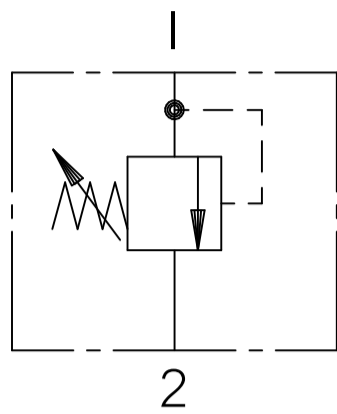


FLUID POWER SYMBOL



Application

Pressure Relief valves are used to limit the pressure in the system as set on the valve. Pilot Operated Relief Valves are applicable more in systems where pressure regulation is needed over pressure safety. The barrel-piston assembly of the valve implies that the valve is not a zero leak valve and cannot be used for load holding applications. The valve is ideal for continuous duty providing accurate pressure control with constant or varying flows.

Operation

When the inlet pressure at Port 1 (Pressure) exceeds the setting of the valve, the ball unseats causing the pilot

section to open. This results in a small flow across the orifice in the main spool. The subsequent pressure drop moves the secondary spool against a light spring opening a ring of radial holes in the sleeve and allowing relief flow to Port 2 (Tank)

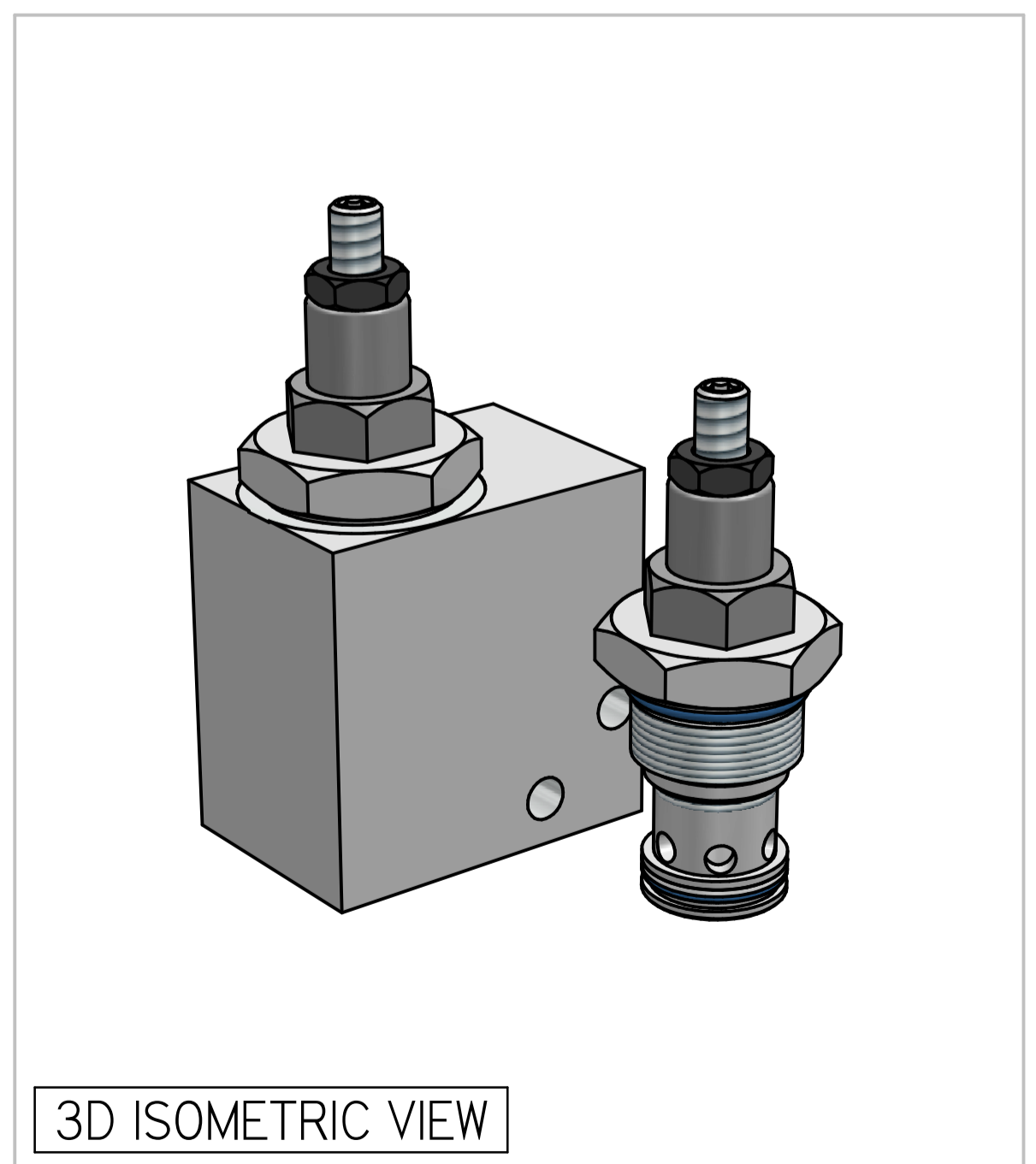
Features

Very low pressure rise for any increase in flow giving accurate pressure control. Smooth operation due to presence of a balanced piston. Hardened working parts ensure a long, reliable, trouble-free life. Cartridge construction gives maximum flexibility in mounting

Specifications

Figures based on: Oil Temp = 40°C Viscosity = 40 cSt

Rated Flow	250 lpm	
Max Pressure	350 bar	
Cartridge Material	Working parts : Hardened, ground steel External surfaces : Zinc plated	
Weight (Cartridge only)	ARI6:	0.170 kg
Cavity Number	SAE16-2 (Refer Cavities Section)	
Manifold Material	Aluminium (upto 250 bar) Add Suffix '729' for SG Iron (350 bar)	
Torque into Cavity	60 Nm	
Mounting	Line	
Seal Kit Number	SKARI6 (Nitrile)	SKARI6V (Viton®)
Filtration Level	BS5540/4 Class I8/I3 (25µ nominal)	
Operating Temp	-20°C to +90°C (Standard Seals)	
Leakage	Less than 35 millilitres/min	
Viscosity Range	5 to 500 cSt	

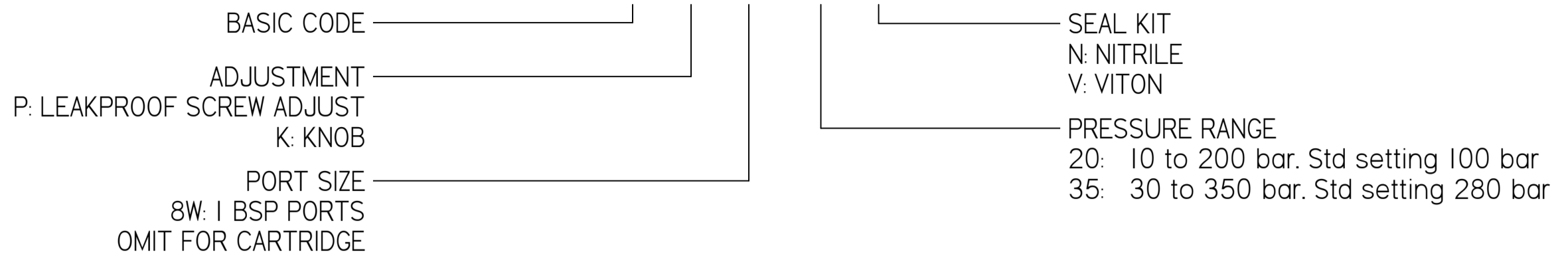


3D ISOMETRIC VIEW

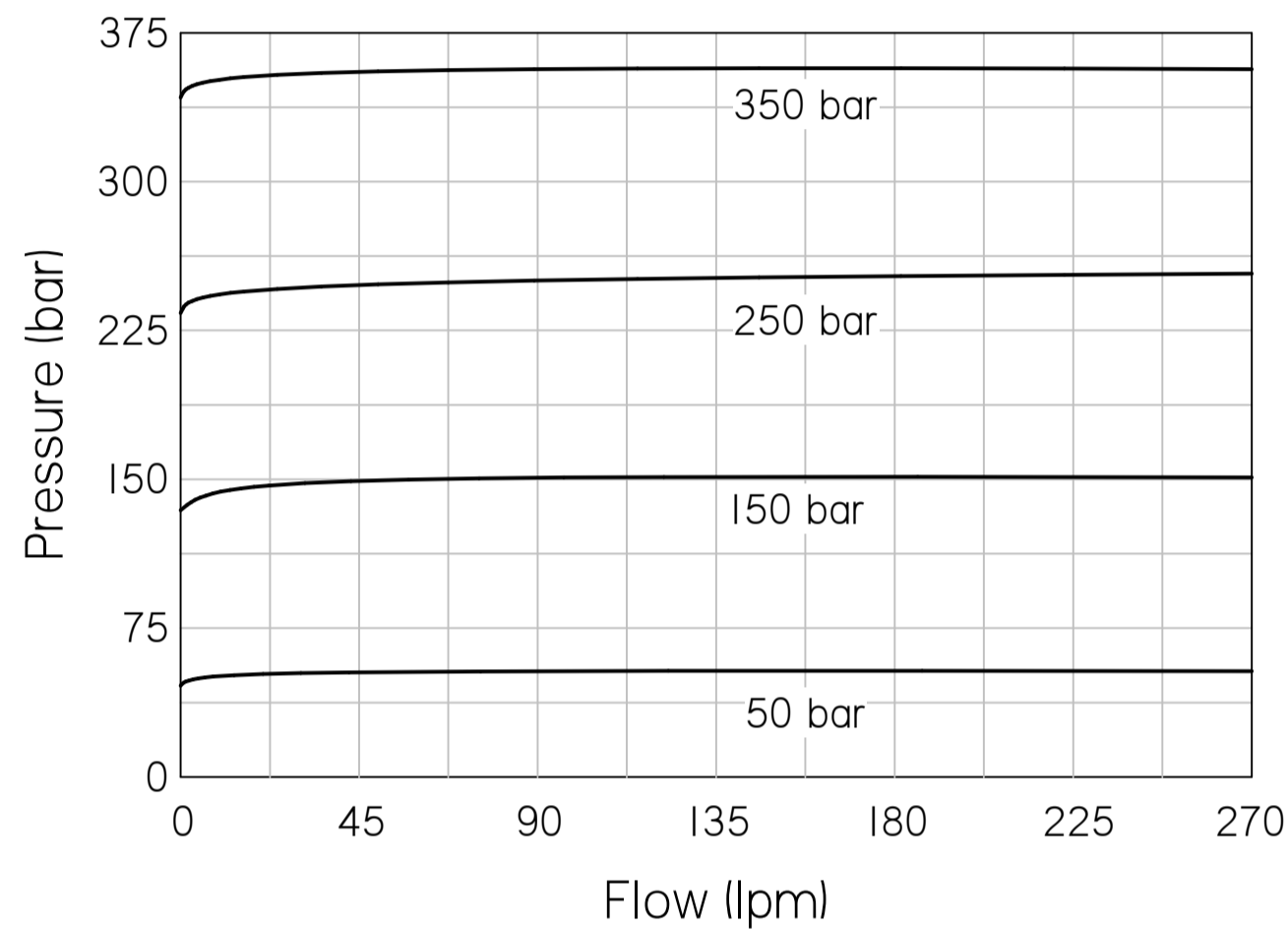
Where measurements are critical request certified drawings. We reserve the right to change specifications without notice.

TO ORDER

ARI6 P 6W 35 N



PRESSURE CHARACTERISTICS

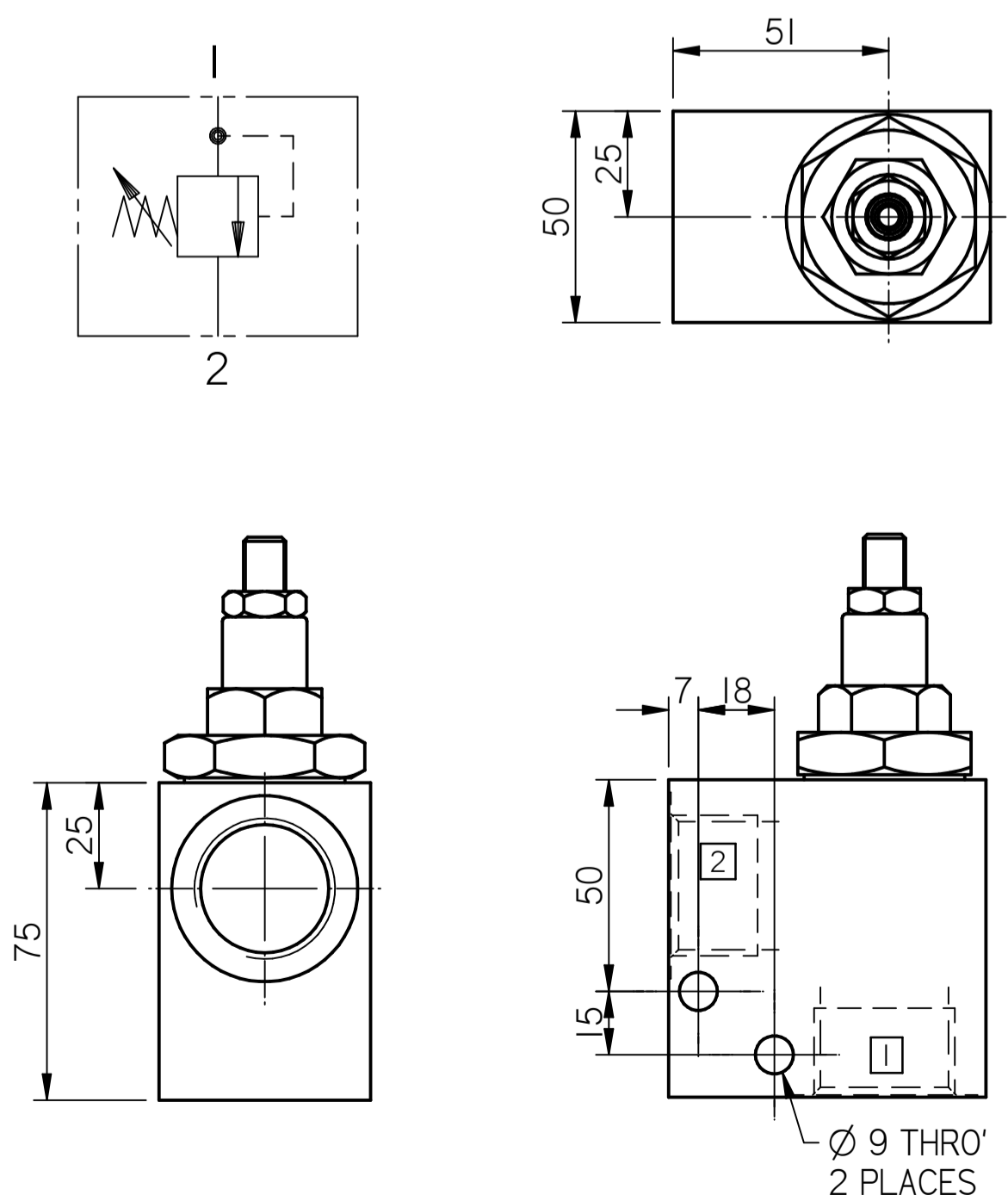


COMPLETE VALVE 1" BSP PORTS

BASIC CODE: ARI6 8W

ONLY Body Part Numbers (BSP)

Aluminium	SG Iron
1" Z10060	1" Z10060S



Where measurements are critical request certified drawings. We reserve the right to change specifications without notice.