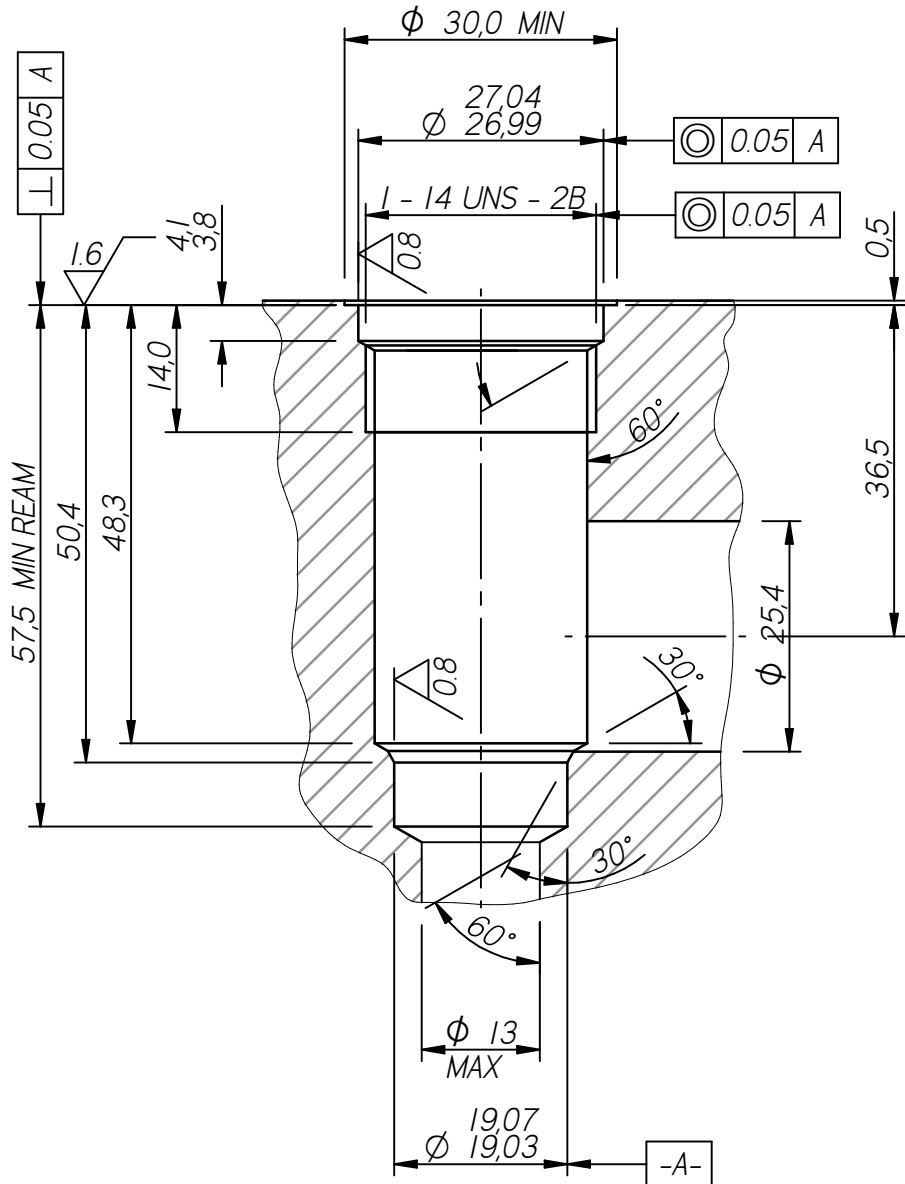


CAVITY TH88I



FORM TOOLS
Form Drill
Form Reamer
Thread Tap

FRAI183
FRAI036
1"-14 UNS

CARTRIDGES
AR 150
S607, S608

DATASHEET
I-320
IH 11-1811

Where measurements are critical request certified drawings. We reserve the right to change specifications without notice.