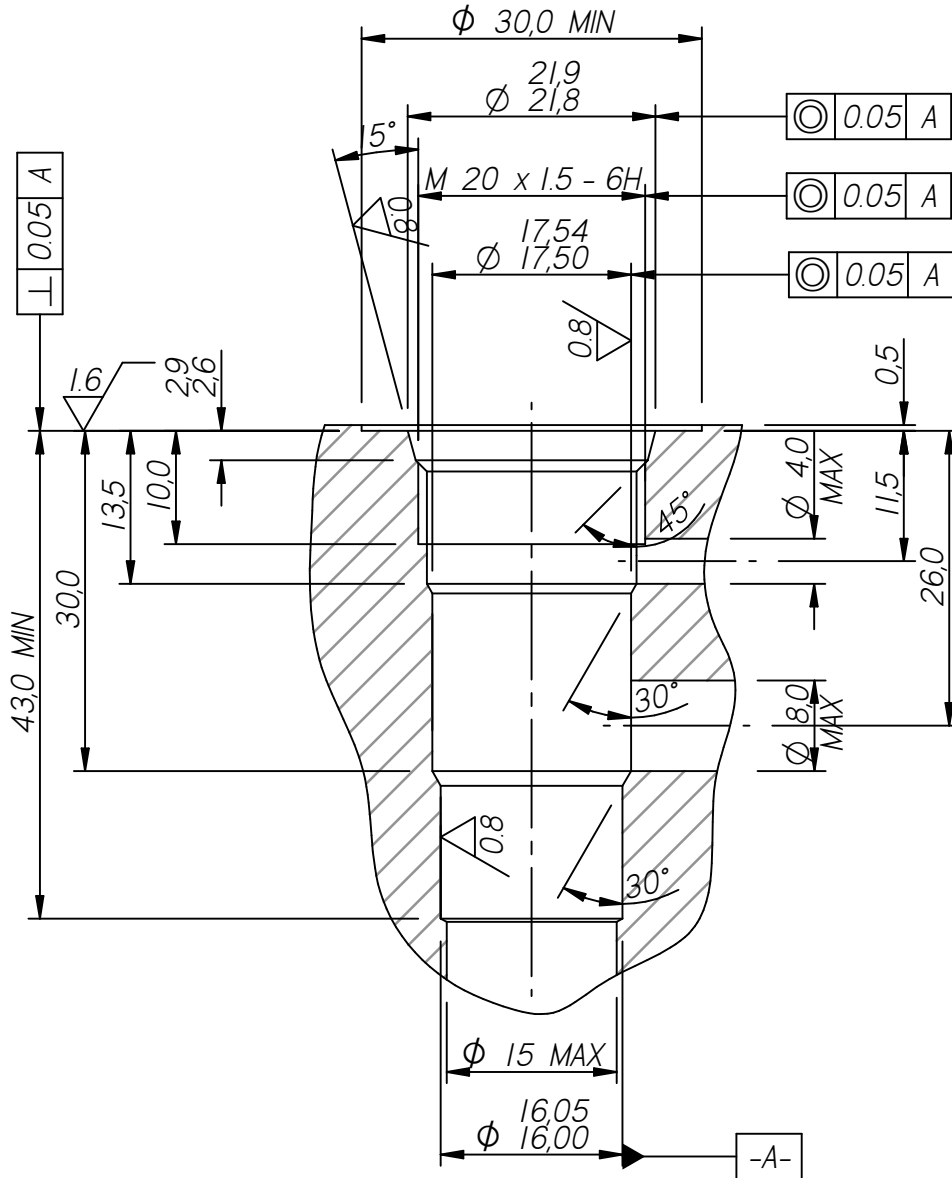


CAVITY TH6610



FORM TOOLS		CARTRIDGES	DATASHEET
Form Drill	FRA447	A	0.000
Form Reamer	FRA448	B	0.000
Thread Tap	M20 x 1,5	C	0.000
		C	0.000
		C	0.000
		C	0.000
		C	0.000
		C	0.000
		C	0.000

Where measurements are critical request certified drawings. We reserve the right to change specifications without notice.