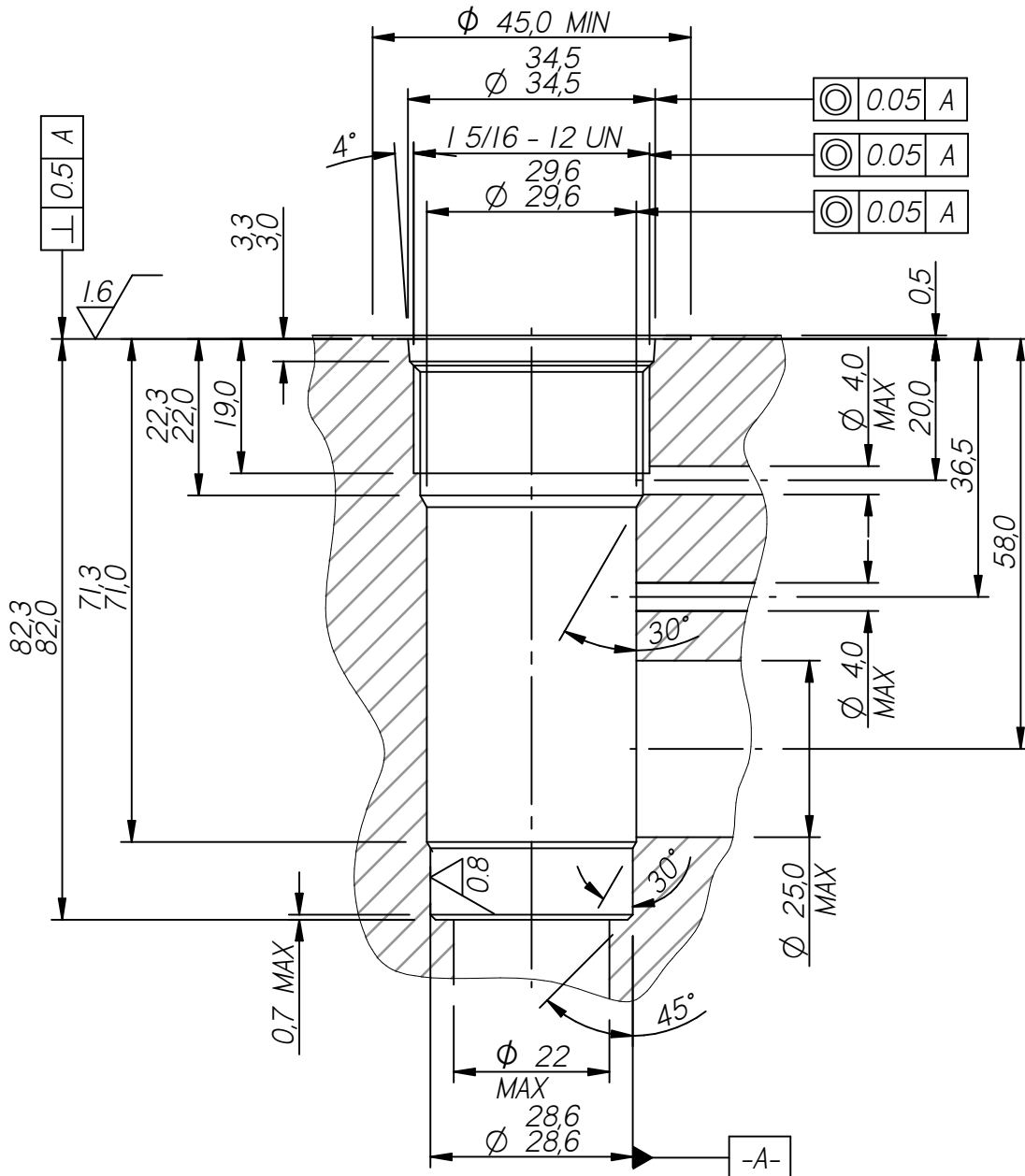


CAVITY TH3145



FORM TOOLS  
Form Drill  
Form Reamer  
Thread Tap

FRA3226  
FRA3227  
1-5/16"-12 UN

CARTRIDGES  
PUL 250

DATASHEET  
10-220

Where measurements are critical request certified drawings. We reserve the right to change specifications without notice.