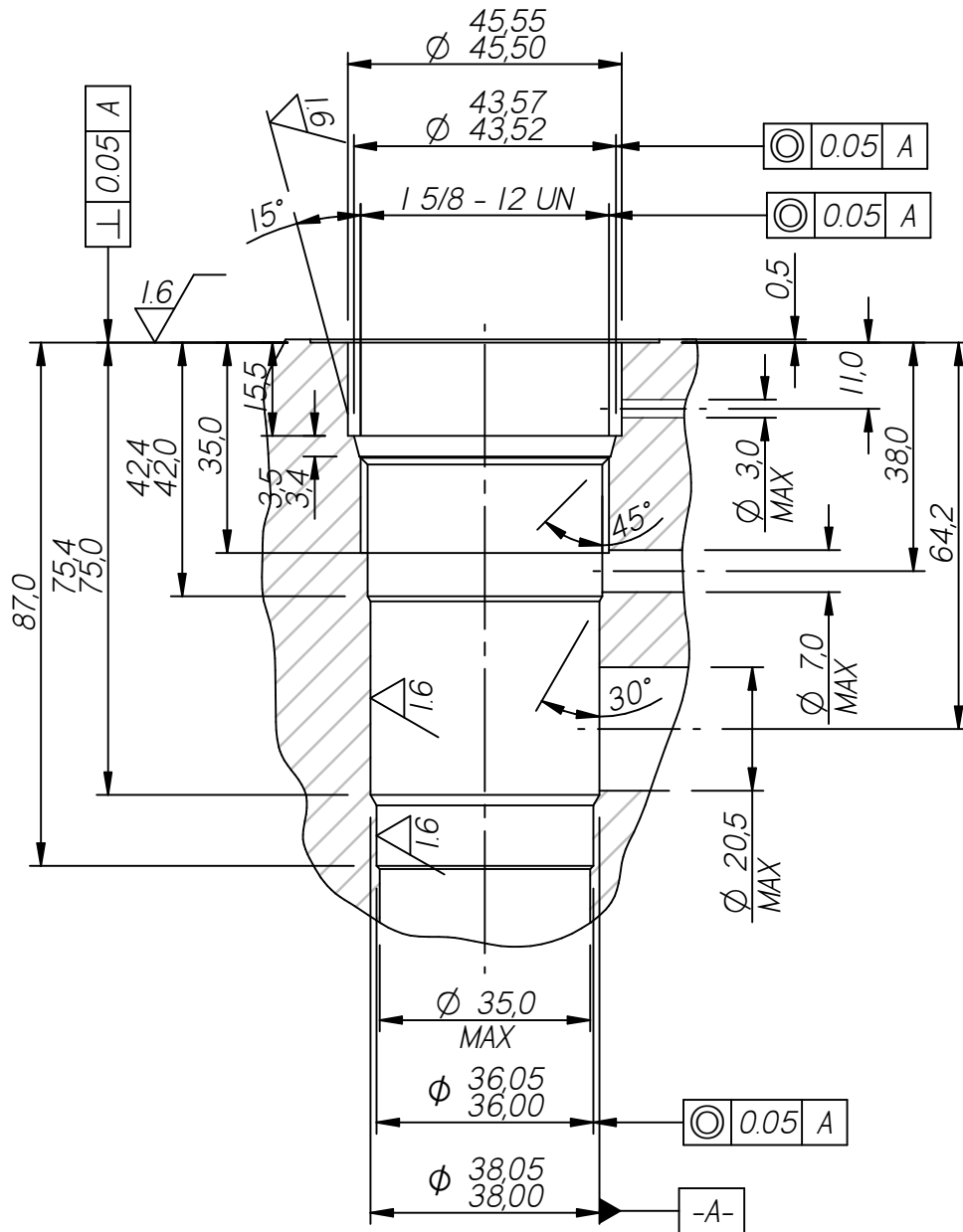


CAVITY THI3098



FORM TOOLS
 Form Drill
 Form Reamer
 Thread Tap

FRAI3099
 FRAI3100
 1-5/8" UN

CARTRIDGES
 CPBD 350

DATASHEET
 4-350

Where measurements are critical request certified drawings. We reserve the right to change specifications without notice.