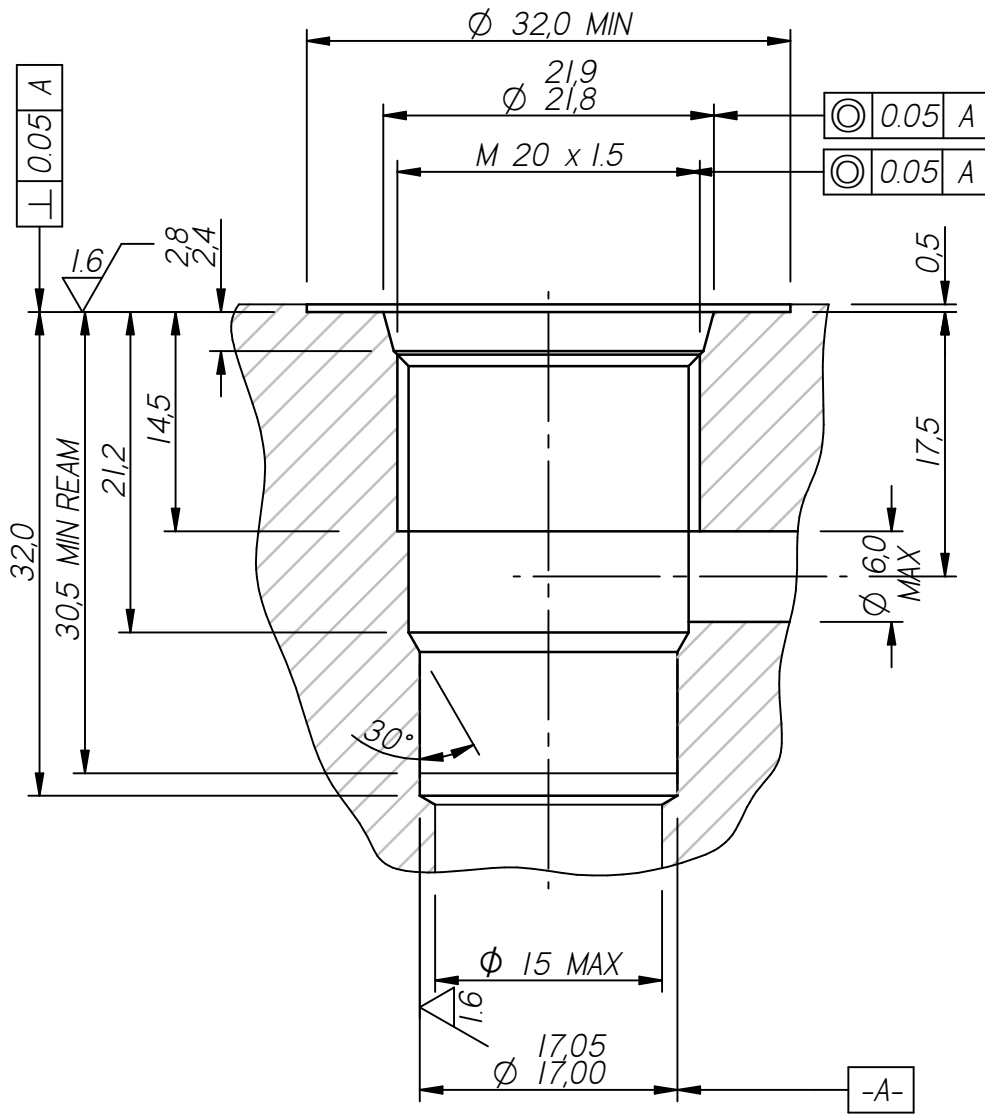


CAVITY CVA20010



FORM TOOLS
 Form Drill
 Form Reamer
 Thread Tap

FRA8961
 FRA8962
 M20 x 1,5

CARTRIDGES
 AR 65

DATASHEET
 I-310

Where measurements are critical request certified drawings. We reserve the right to change specifications without notice.