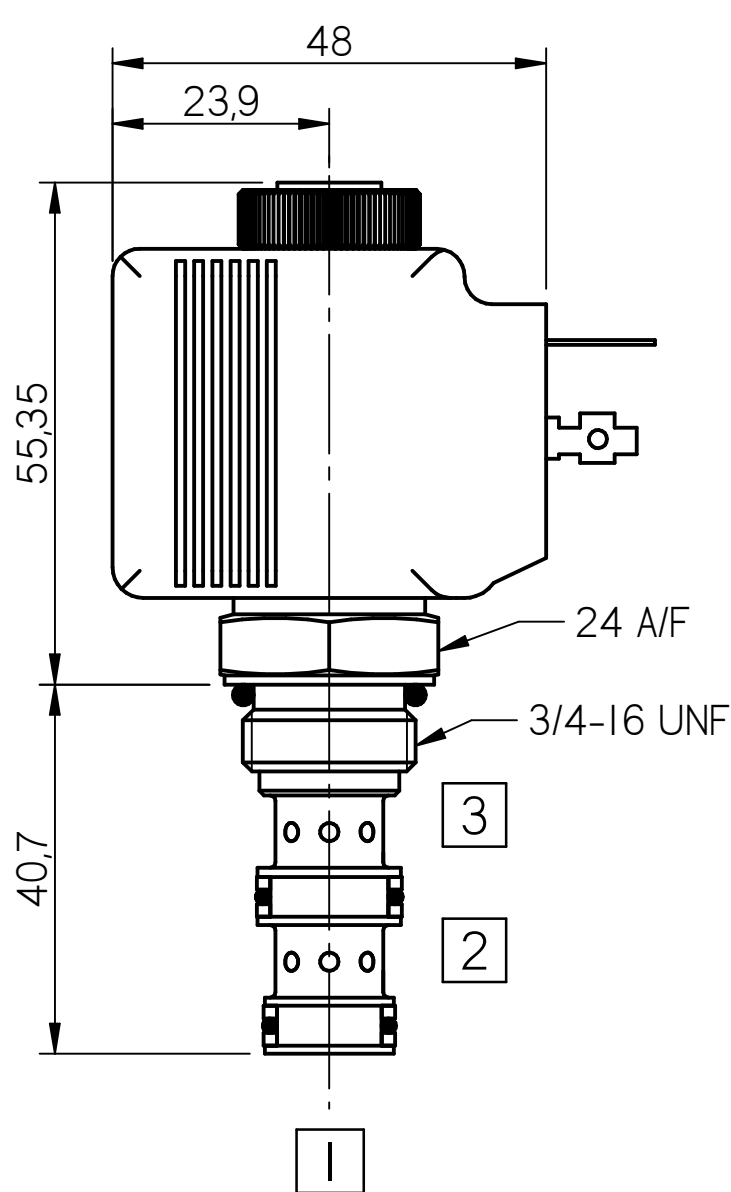
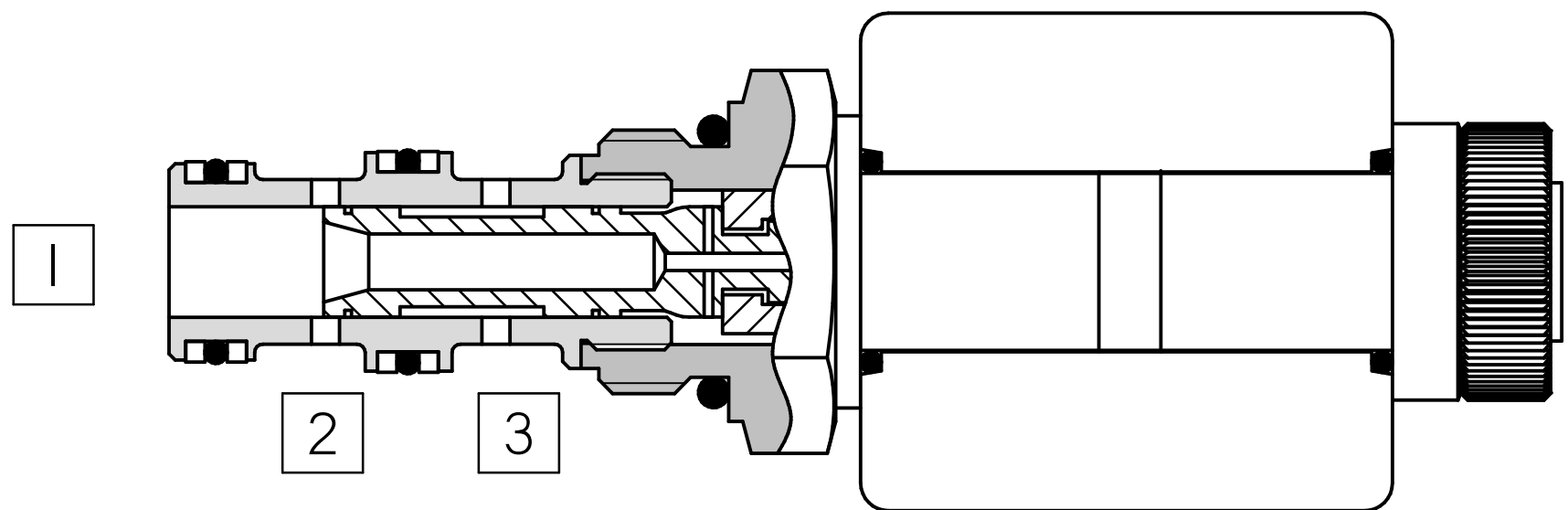
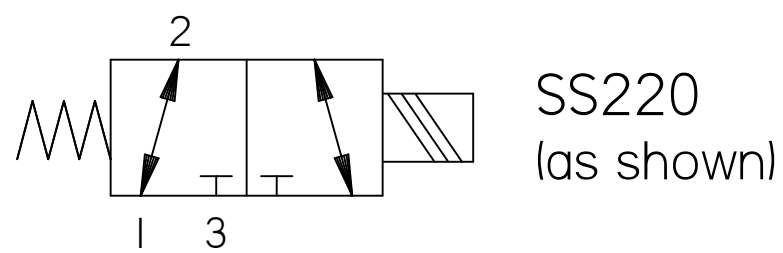
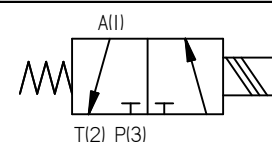
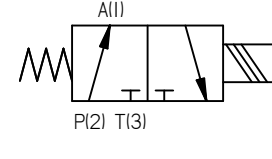
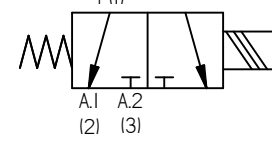


FLUID POWER SYMBOL



Application

	Normally Closed (Pressure at Port 3)
	Normally Open (Pressure at Port 2)
	Selector (Pressure at Port 1)

- Oil immersed armature solenoid
- Manual override and seal variations available
- Sealed coil arrangement to protect stem from corrosion

Coil Information

Contact Sales office for latest Coil Information datasheet.

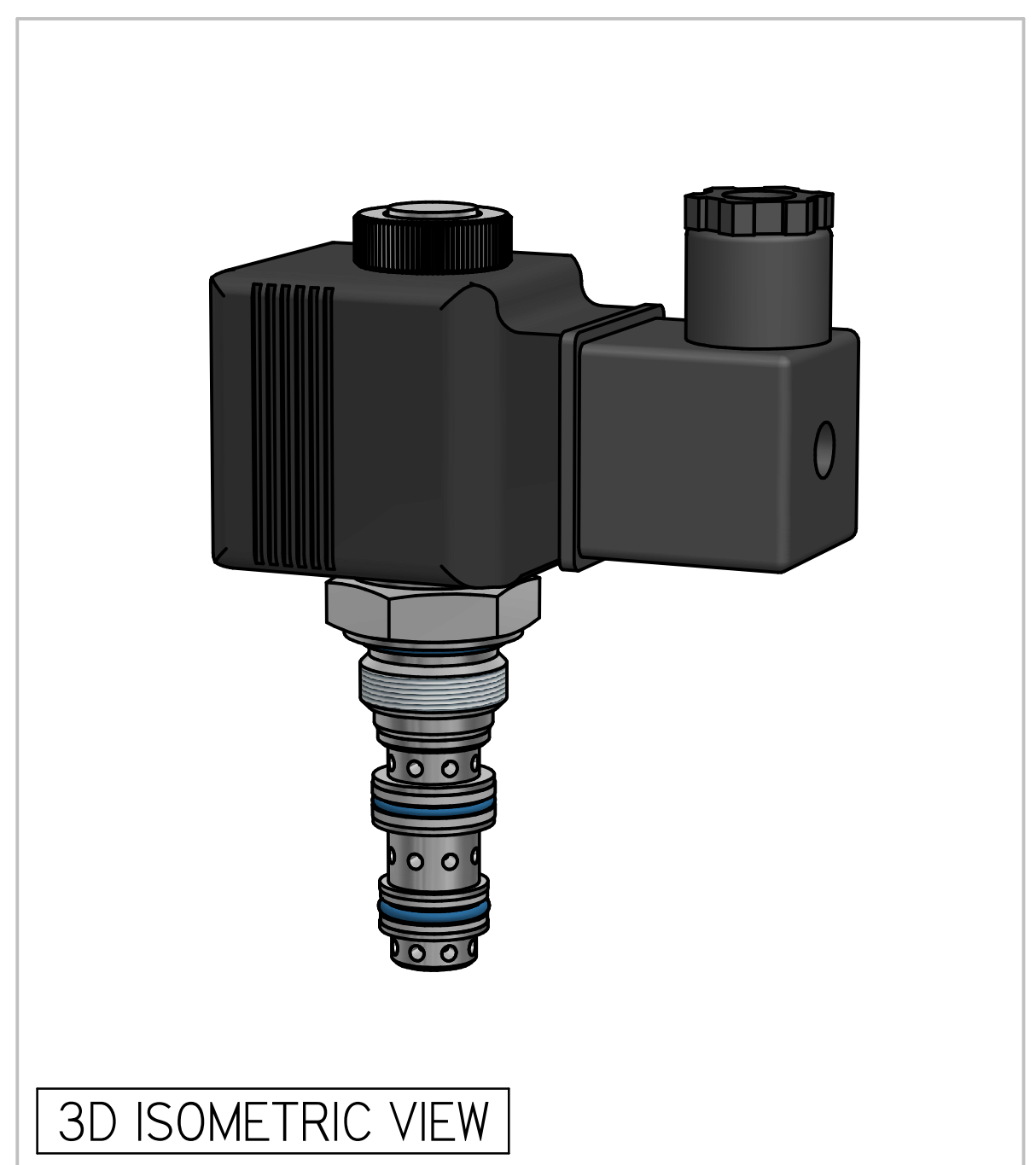
Features

- High flow capacity with reduced space
- No dynamic seals
- Standard valve bodies and cavities
- One-piece encapsulated coil with minimal amperage draw

Specifications

Figures based on: Oil Temp = 40°C Viscosity = 40 cSt

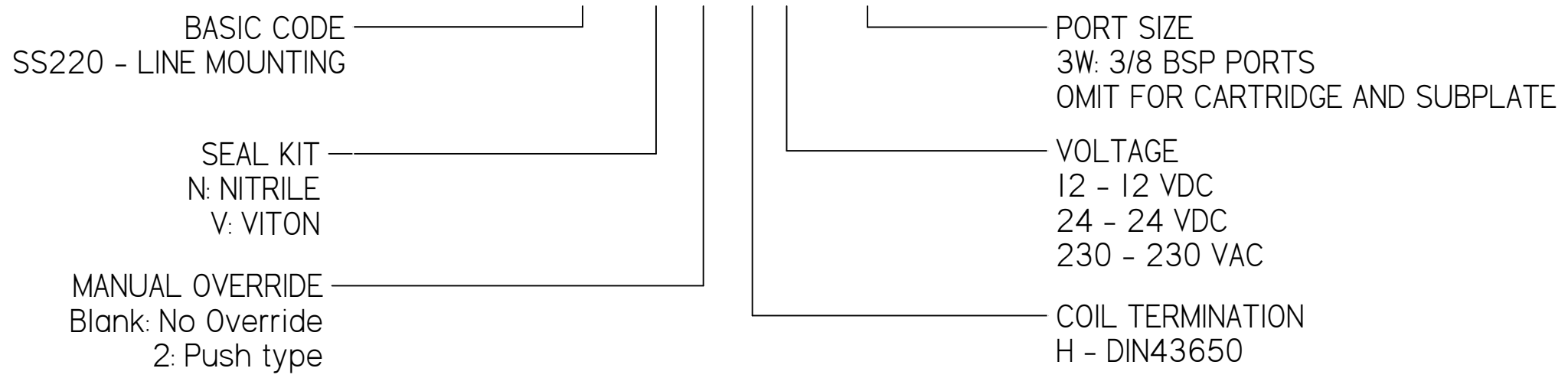
Max Pressure	210 bar
Rated Flow	13 lpm
Cartridge Material	Working parts : Hardened, ground steel External surfaces : Zinc plated
Weight (Cartridge only)	0.160kg
Cavity Number	SAE08-3 (Refer Cavities Section)
Manifold Material	Aluminium (upto 250 bar)
Torque into Cavity	30Nm
Mounting	Line/Subplate
Seal Kit Number	SKSS220 (Nitrile) SKSS220V (Viton®)
Filtration Level	BS5540/4 Class 18/13 (25µ nominal)
Operating Temp	-20°C to +90°C (Standard Seals)
Leakage	Less than 60 millilitres/min
Viscosity Range	5 to 500 cSt



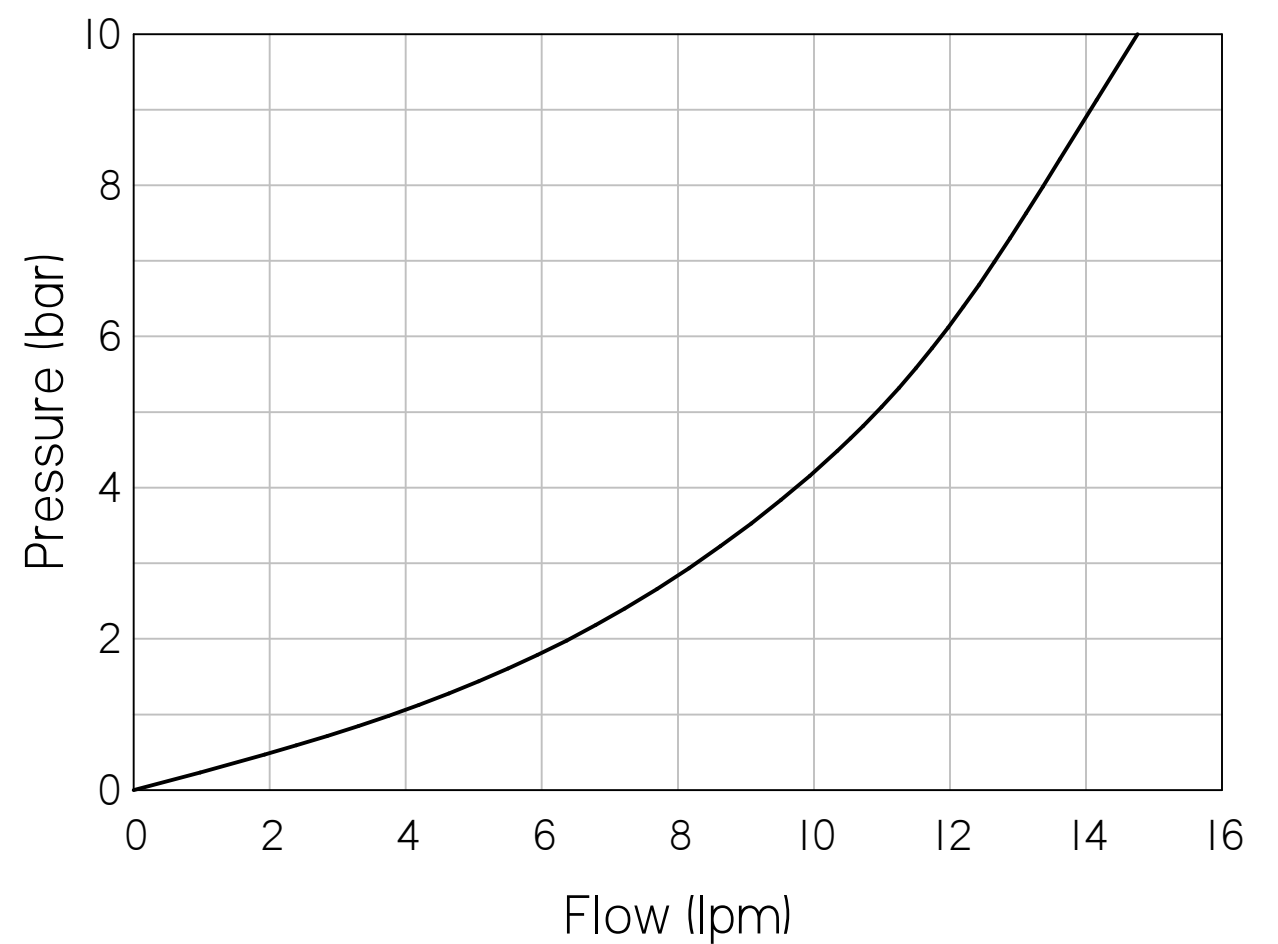
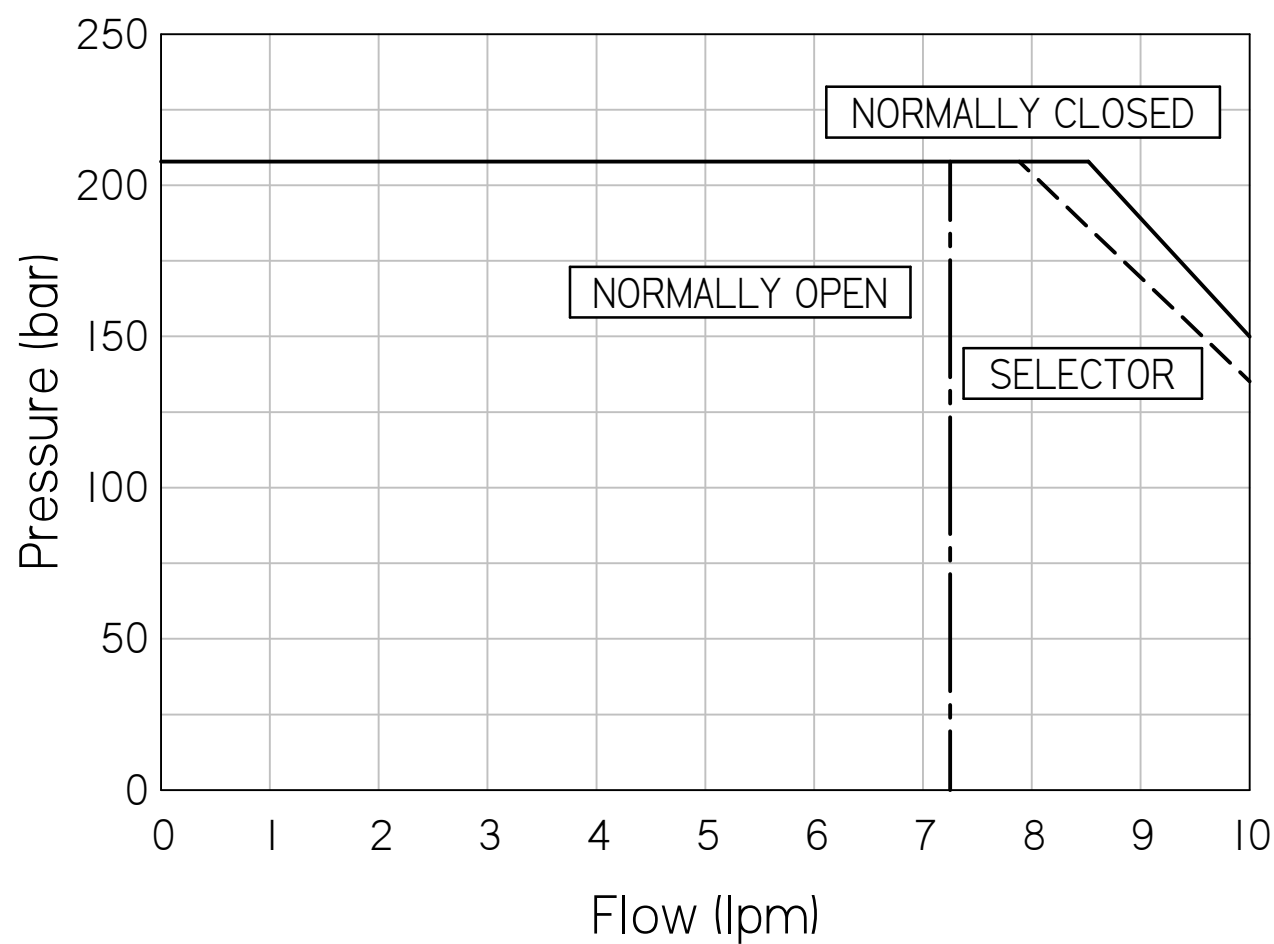
Where measurements are critical request certified drawings. We reserve the right to change specifications without notice.

TO ORDER

SS220 N 2 H 24 3W



PRESSURE CHARACTERISTICS



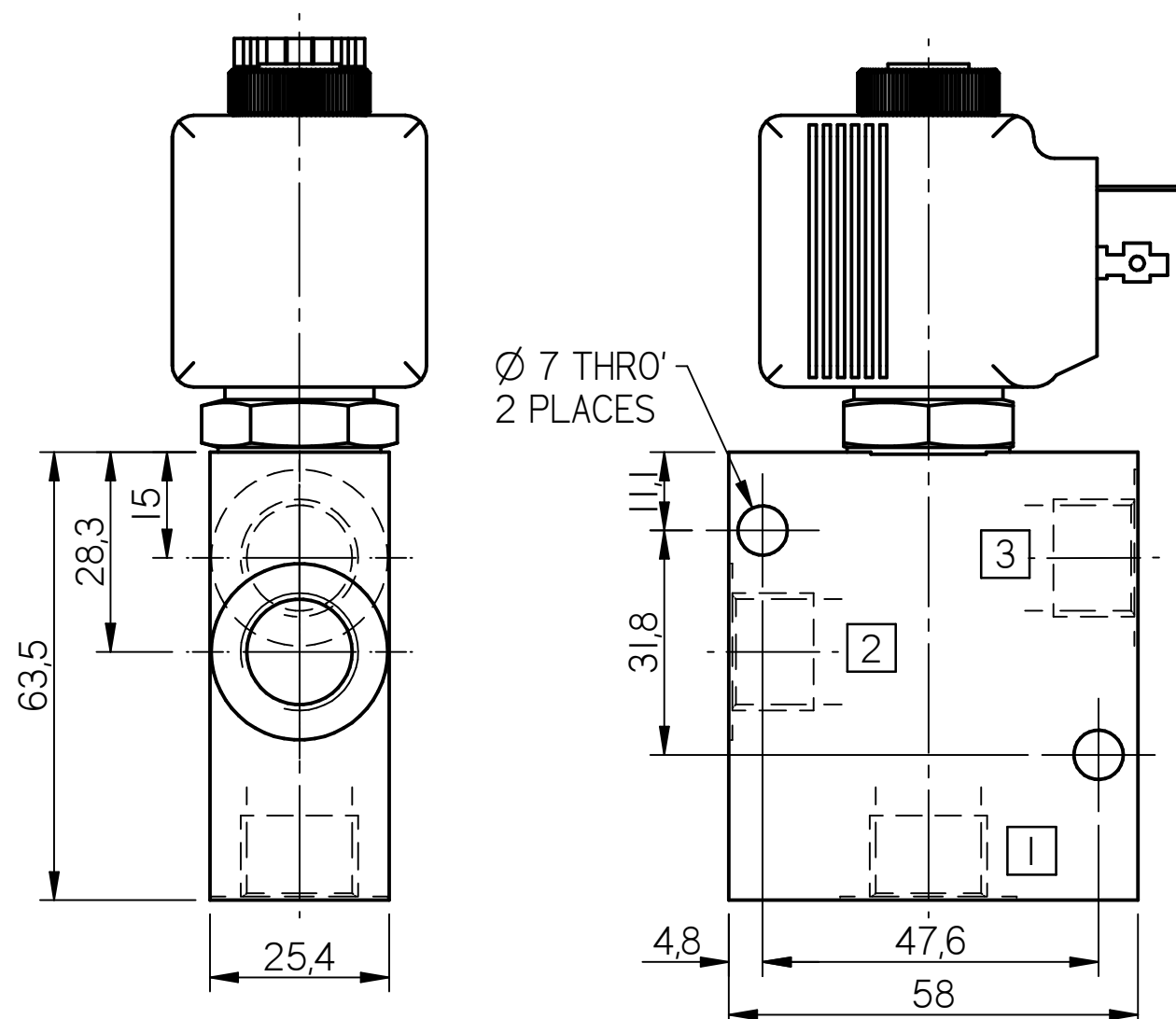
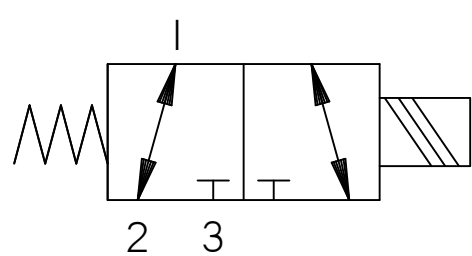
9

COMPLETE VALVE 3/8" BSP PORTS

BASIC CODE: SS220 3W

ONLY Body Part Numbers (BSP)

Aluminium SG Iron
3/8" Z10009 - -



Where measurements are critical request certified drawings. We reserve the right to change specifications without notice.