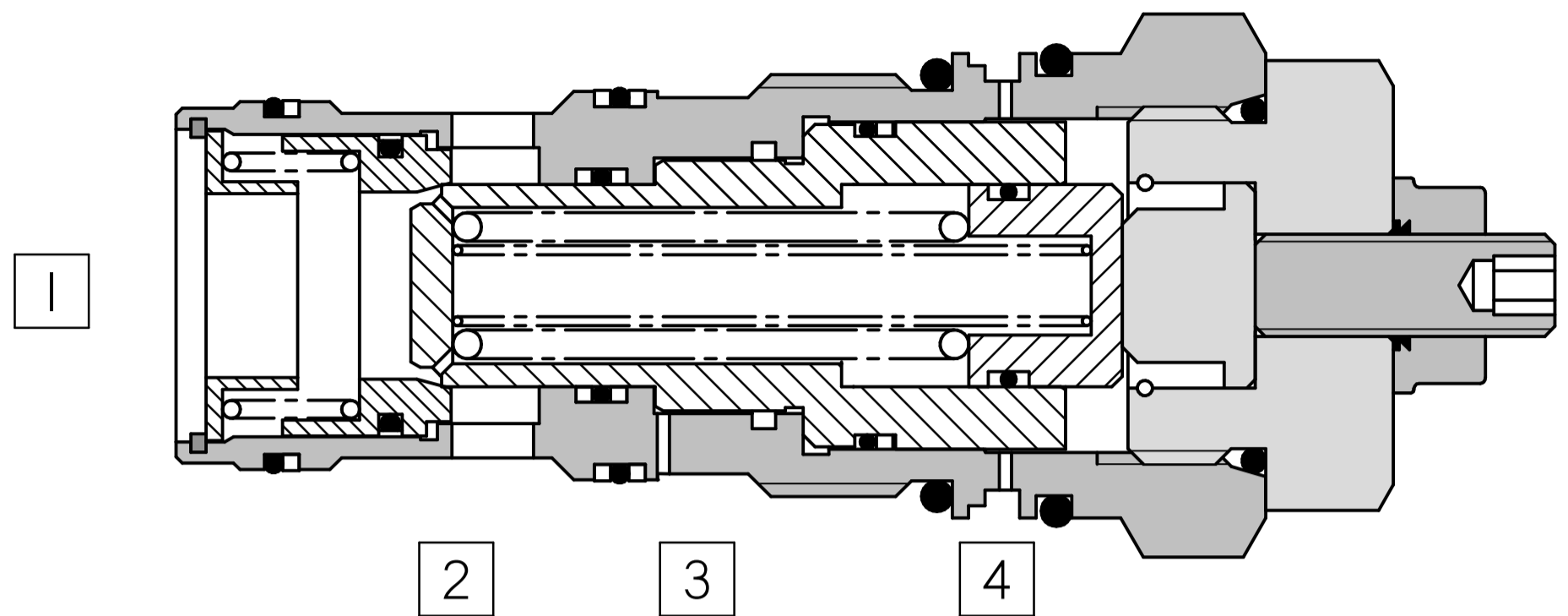
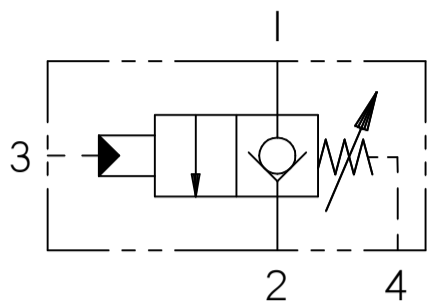
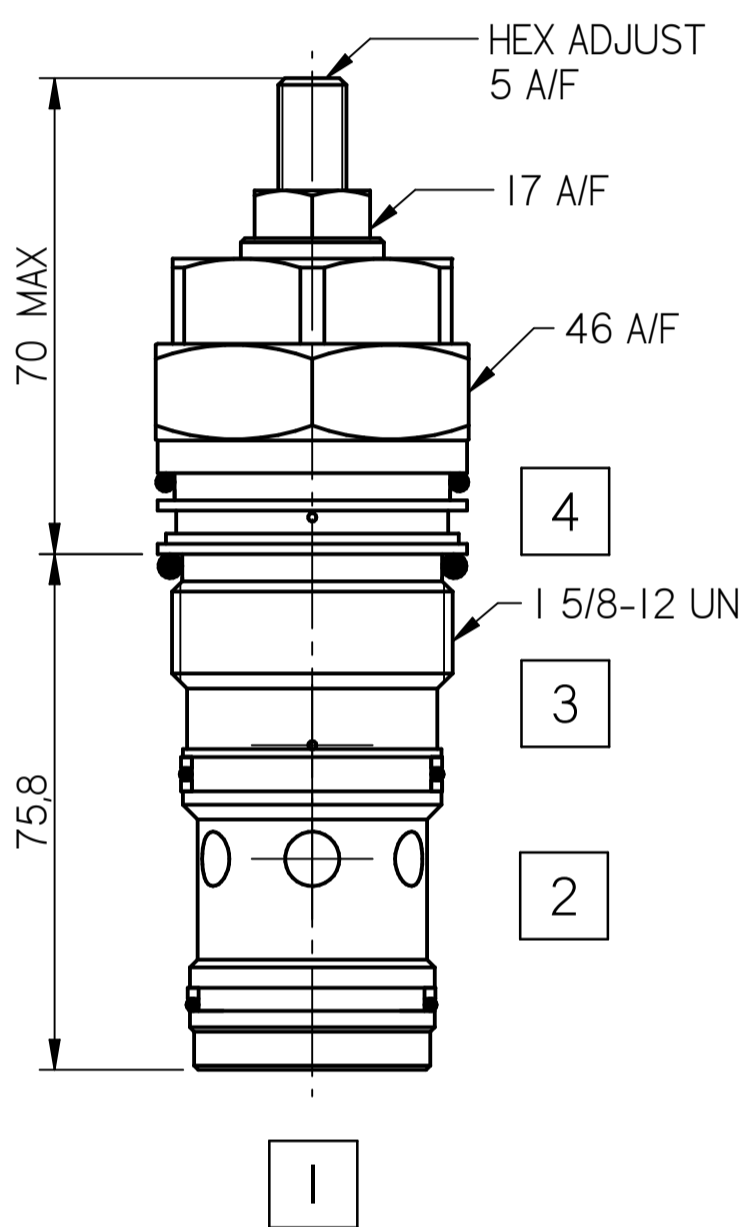


FLUID POWER SYMBOL



4



Application

Zero differential overcenter valves give static and dynamic control of loads by supplying a restriction to flow related to the opening of the valve created by the pilot pressure. The valve is used in conjunction with a remote pilot source to provide hose failure protection, load control and load holding functions. If over-pressure or shock pressure protection is required then a separate relief valve should be used. The drain line allows the valve to be used in corrosive atmospheres preventing the ingress of atmospheric contaminant.

Operation

The check section allows free flow into the actuator then holds and locks the

load against movement. By the application of pilot pressure to the pilot port the poppet moves back against the main spring opening the cylinder port to the valve port. The metering characteristic of the valve is controlled by the rate of the spring, the seat angle and the pilot pressure applied. Due to the balanced poppet design load induced pressure will not open the valve and once open valve port pressure will not increase the pilot pressure required to keep the valve open.

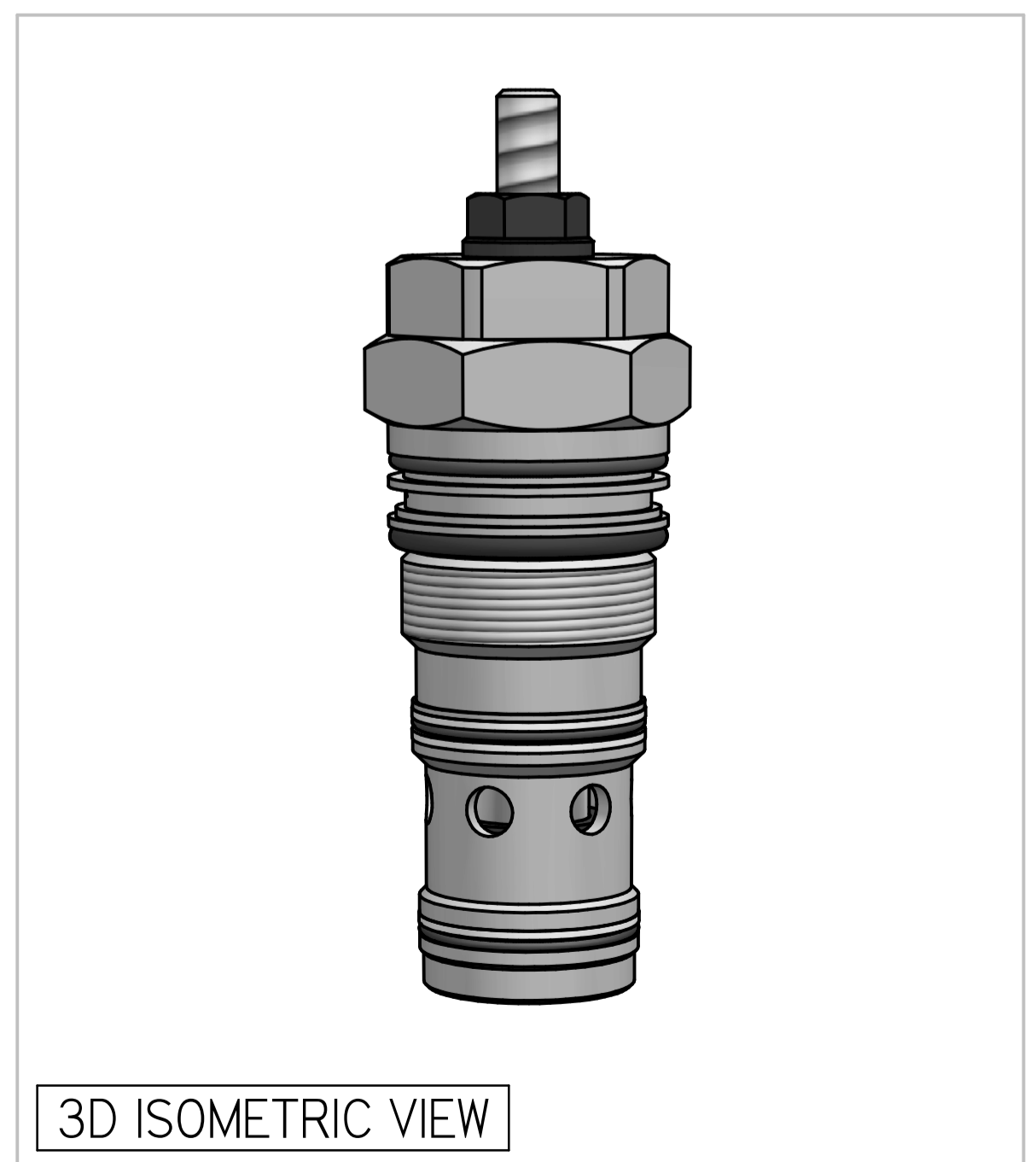
Features

The cartridge fits a simple cavity allowing quick, easy field service reducing down time. Hardened poppet and seat provide for long leak free performance.

Specifications

Figures based on: Oil Temp = 40°C Viscosity = 40 cSt

Rated Flow	350 lpm
Max Pressure	400 bar
Cartridge Material	Working parts : Hardened, ground steel External surfaces : Zinc plated
Weight (Cartridge only)	CPBD350: 0.910 kg
Cavity Number	THI3098 (Refer Cavities Section)
Manifold Material	Aluminium (upto 250 bar)
Torque into Cavity	150 Nm
Mounting	Line
Seal Kit Number	SKCPBD350 (Nitrile) SKCPBD350V (Viton®)
Filtration Level	BS5540/4 Class 18/13 (25µ nominal)
Operating Temp	-20°C to +90°C (Standard Seals)
Leakage	Less than 4 millilitres/min (60dpm)
Viscosity Range	5 to 500 cSt

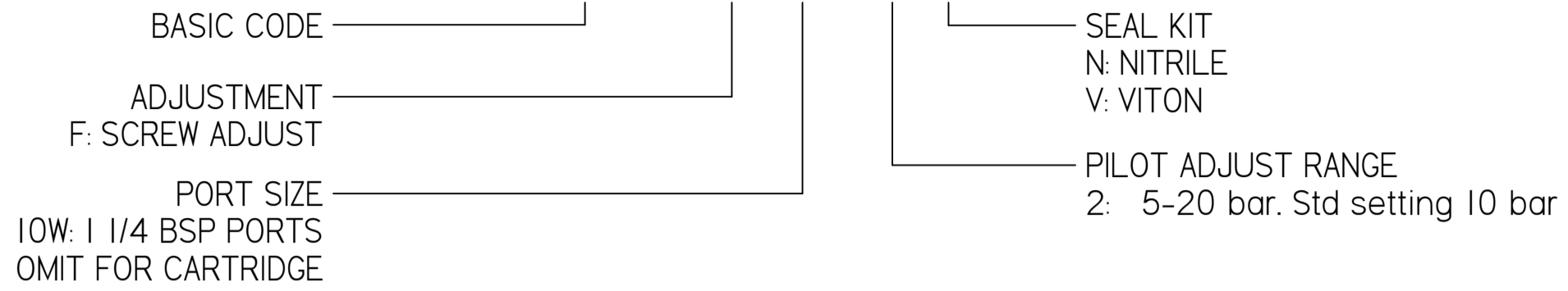


3D ISOMETRIC VIEW

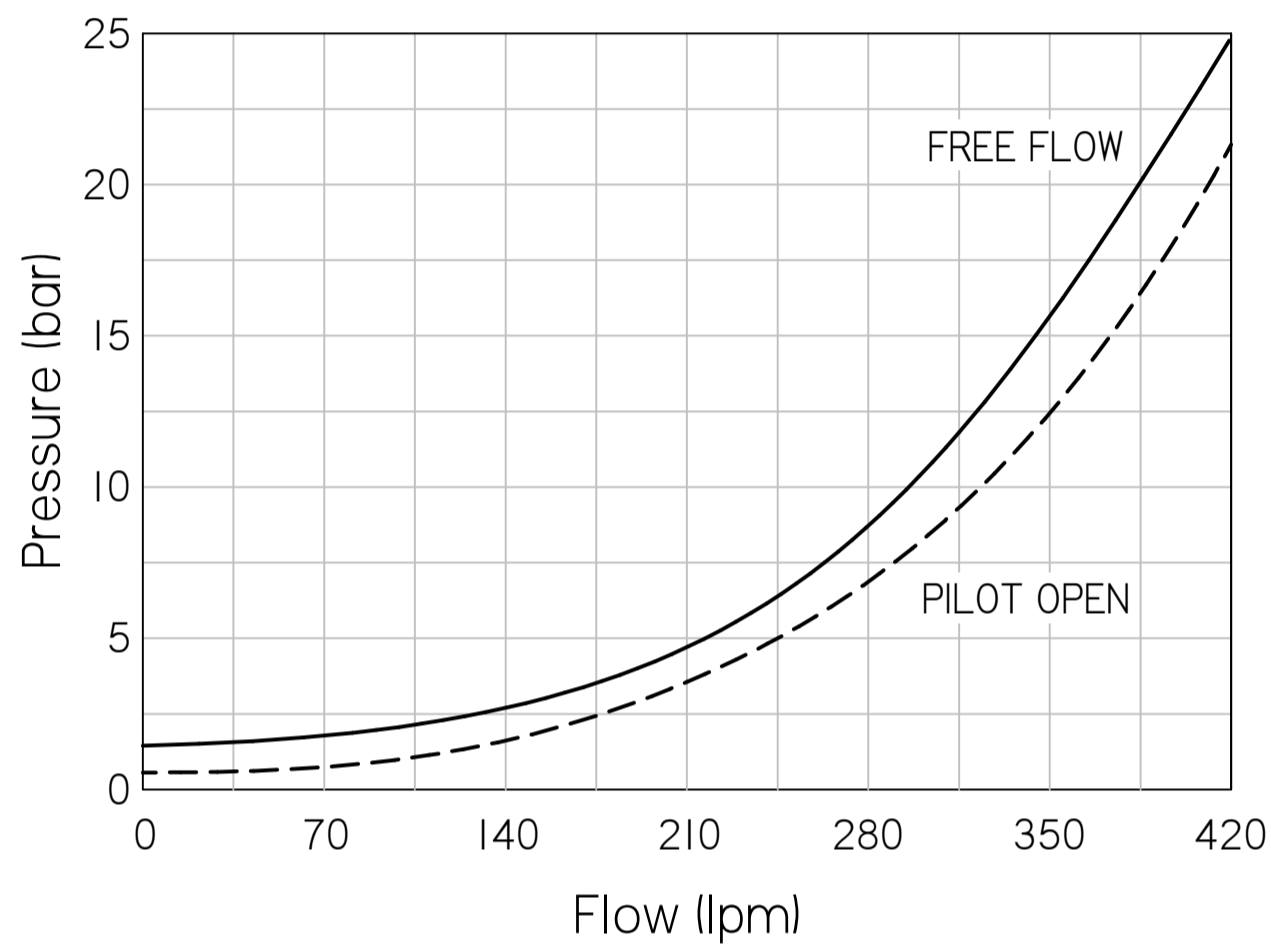
Where measurements are critical request certified drawings. We reserve the right to change specifications without notice.

TO ORDER

CPBD350 F 10W 2 N



PRESSURE CHARACTERISTICS

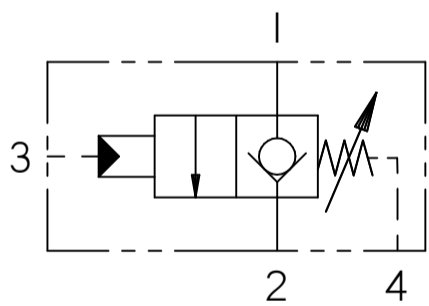


COMPLETE VALVE 1 1/4" BSP PORTS

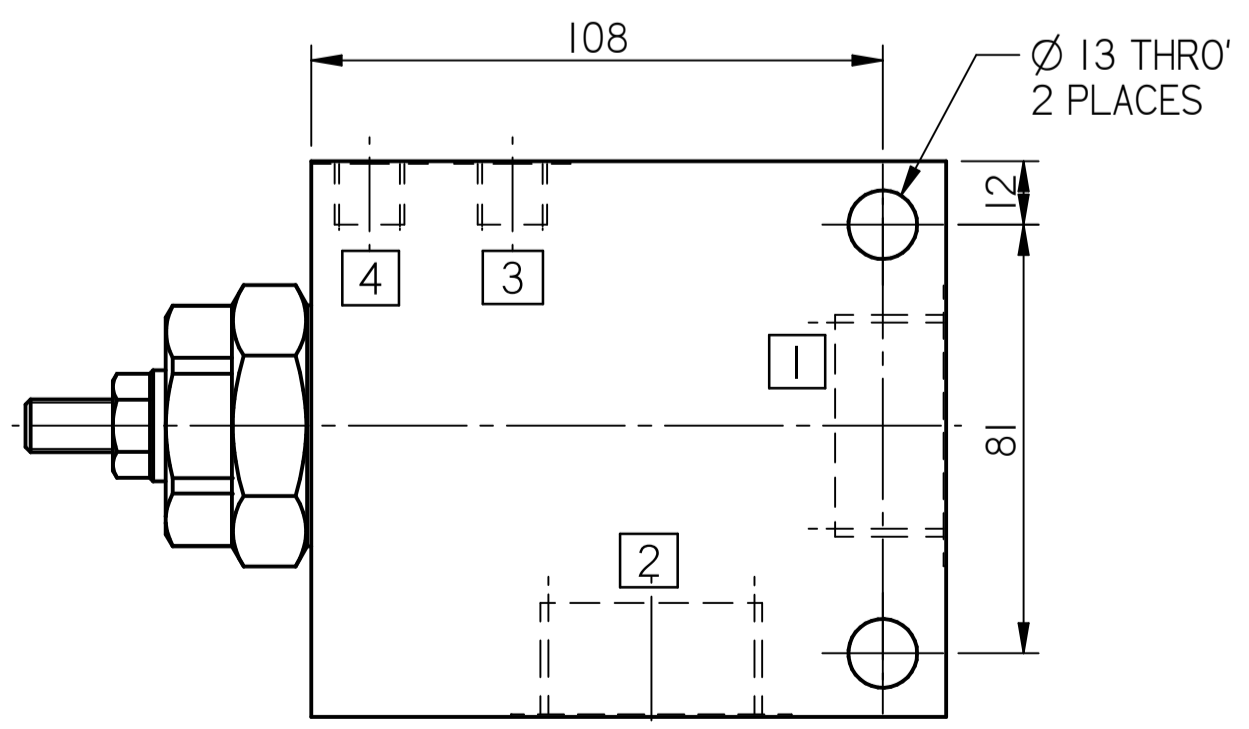
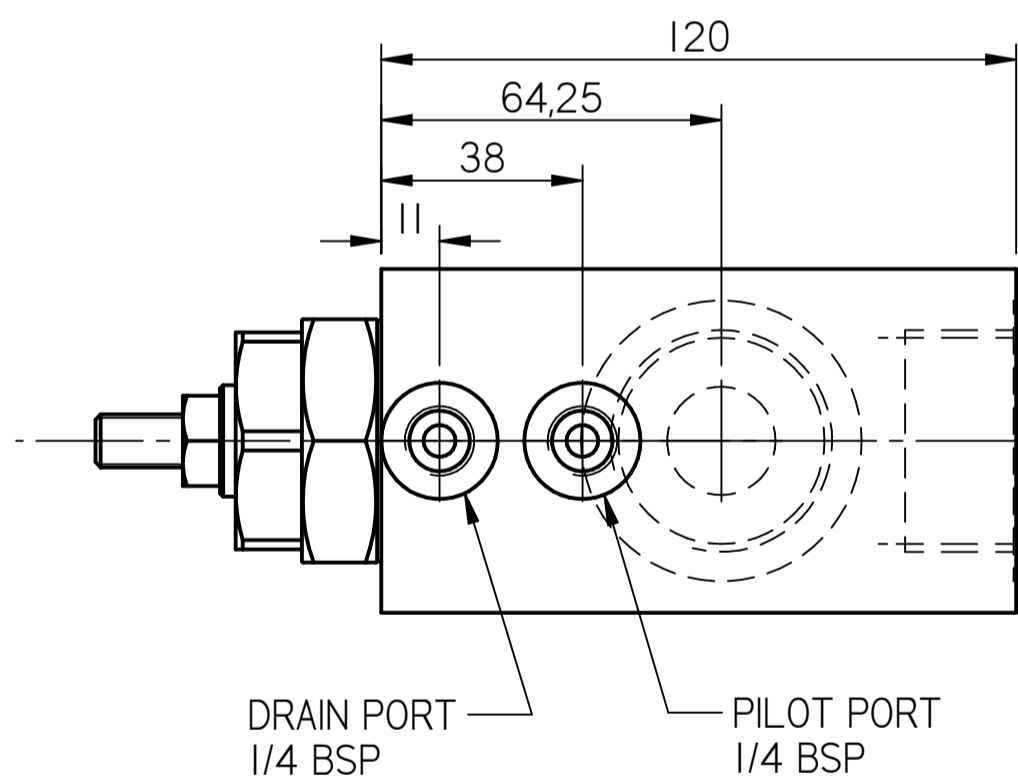
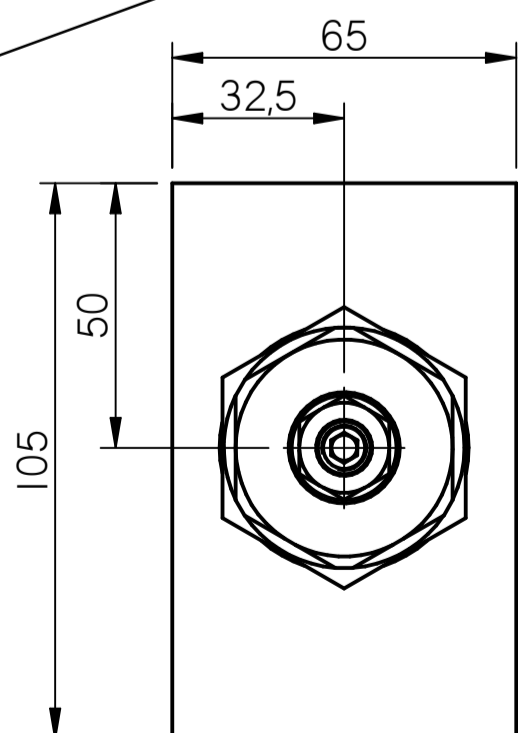
BASIC CODE: CPBD350 10W

ONLY Body Part Numbers (BSP)

Aluminium	SG Iron
1.1/4" Z10241	-



SUGGESTED BODY
NOT IN CURRENT PRODUCT RANGE



Where measurements are critical request certified drawings. We reserve the right to change specifications without notice.