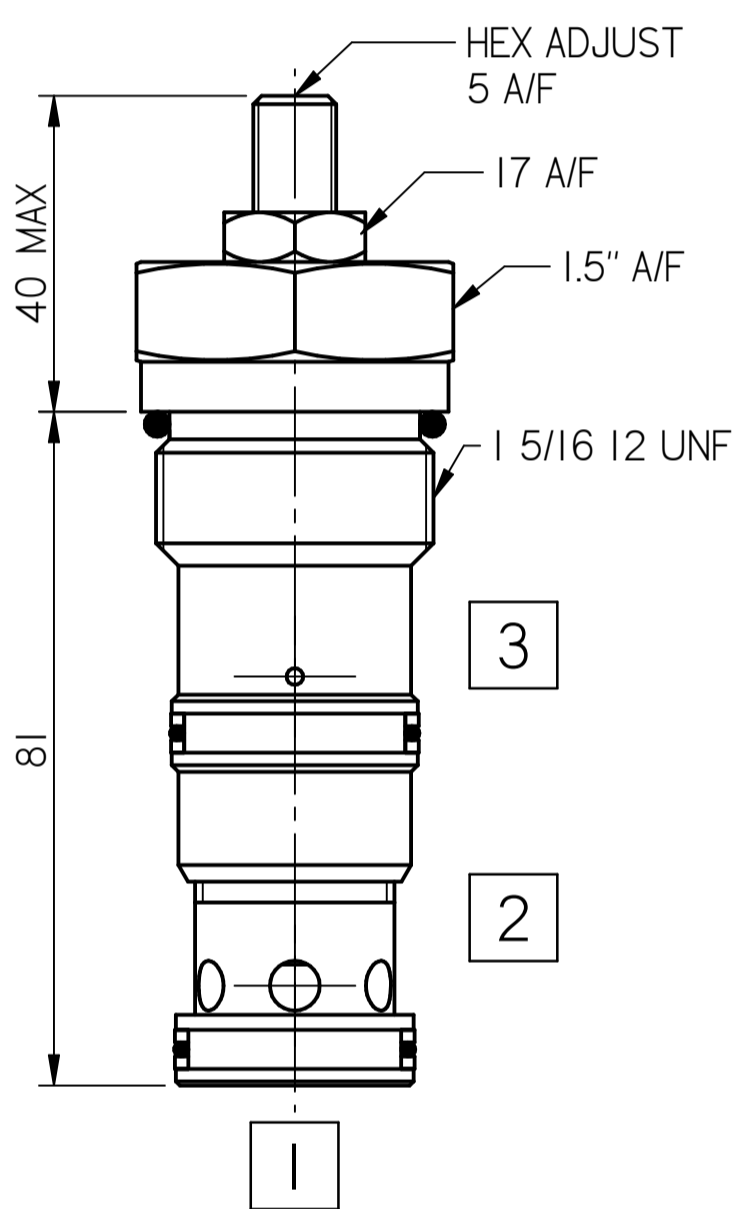
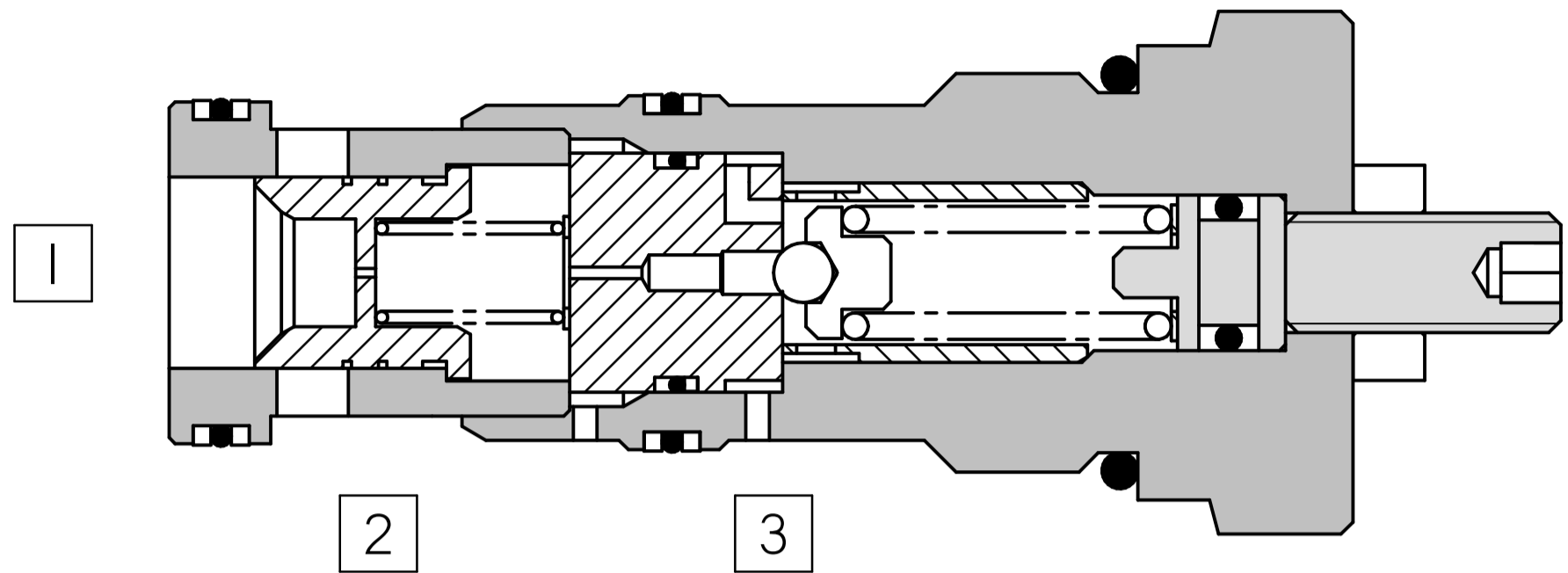
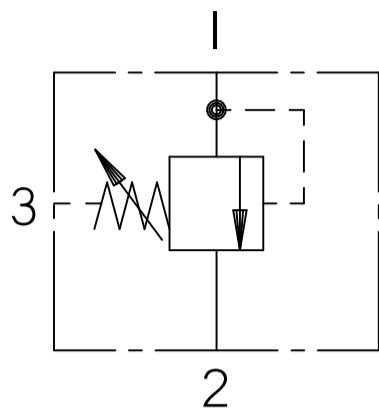


FLUID POWER SYMBOL

2



Application

Sequence valves provide ordered sequencing of two or more operations as with clamp and drill circuits. They can also be used as relief valves where the down-stream pressure is high or changes during operation. By taking the drain line directly to tank, back pressure effects are negated.

Operation

As in the case of Balanced Piston Relief valves, when the inlet pressure at Pressure Port (1) exceeds the valve setting, the pilot section opens causing a flow across the orifice resulting in a small pressure drop across the piston. This subsequently moves back against a light spring opening up the Pressure Port (1) to the Sequenced Port (2).

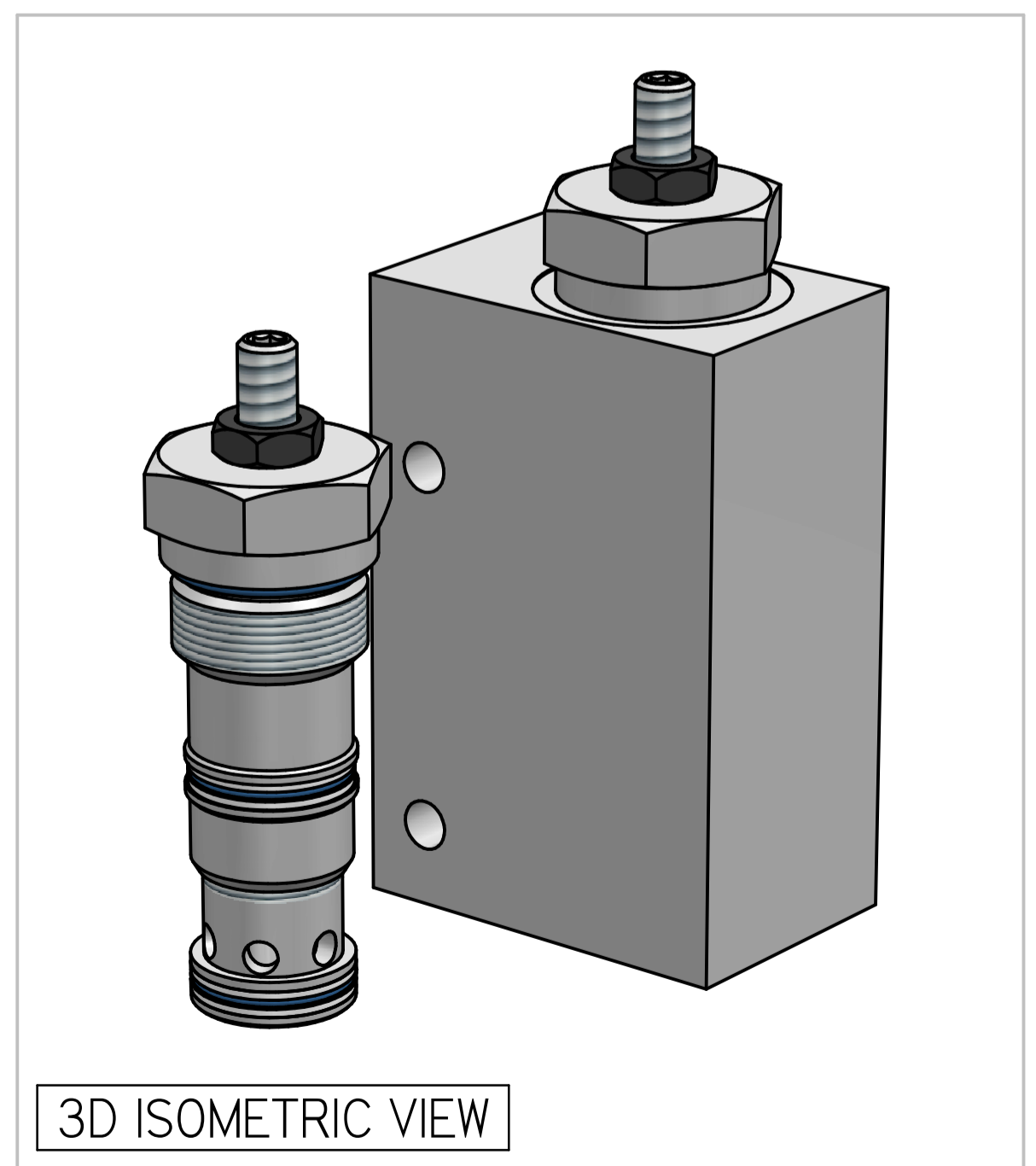
Features

Hardened, match ground and honed working parts give long, trouble-free life. There is a consistent and stable operation providing a low pressure override even with increasing flows. Cartridge construction gives maximum flexibility in mounting.

Specifications

Figures based on: Oil Temp = 40°C Viscosity = 40 cSt

Rated Flow	250 lpm
Max Pressure	350 bar
Cartridge Material	Working parts : Hardened, ground steel External surfaces : Zinc plated
Weight (Cartridge only)	PS250: 0.720 kg
Cavity Number	TH16102 (Refer Cavities Section)
Manifold Material	Aluminium (upto 250 bar) Add Suffix '729' for SG Iron (350 bar)
Torque into Cavity	100 Nm
Mounting	Line
Seal Kit Number	SKPS250 (Nitrile) SKPS250V (Viton®)
Filtration Level	BS5540/4 Class 18/13 (25µ nominal)
Operating Temp	-20°C to +90°C (Standard Seals)
Leakage	Less than 35 millilitres/min
Viscosity Range	5 to 500 cSt



3D ISOMETRIC VIEW

Where measurements are critical request certified drawings. We reserve the right to change specifications without notice.

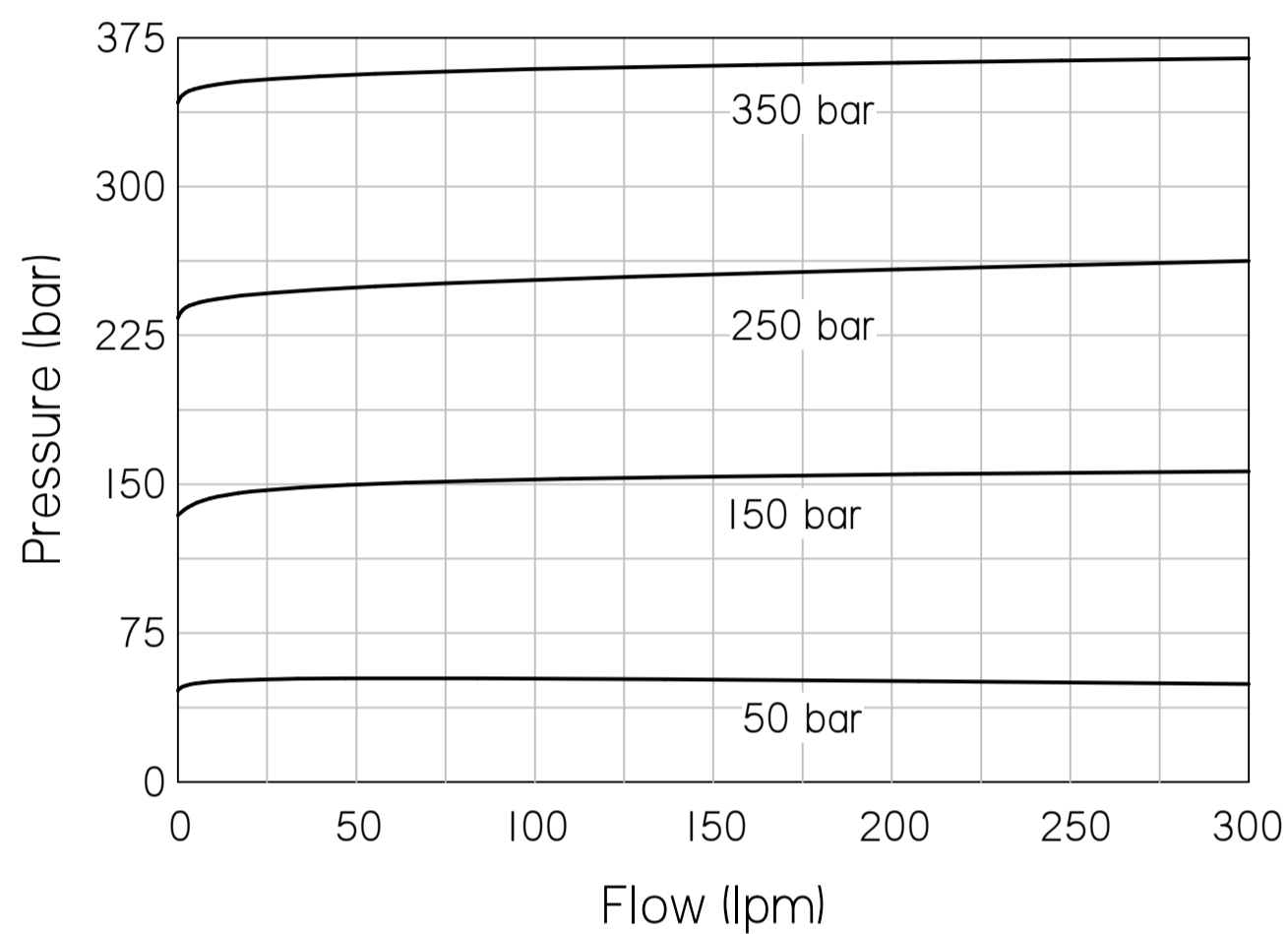
TO ORDER

PS250 P 8W 35 N

BASIC CODE	PS250	SEAL KIT	N: NITRILE V: VITON
ADJUSTMENT	P: LEAKPROOF SCREW ADJUST	PRESSURE RANGE	20: 10 to 200 bar. Std setting 100 bar 35: 30 to 350 bar. Std setting 210 bar
PORT SIZE	8W: 1 BSP PORTS OMIT FOR CARTRIDGE		

2

PRESSURE CHARACTERISTICS

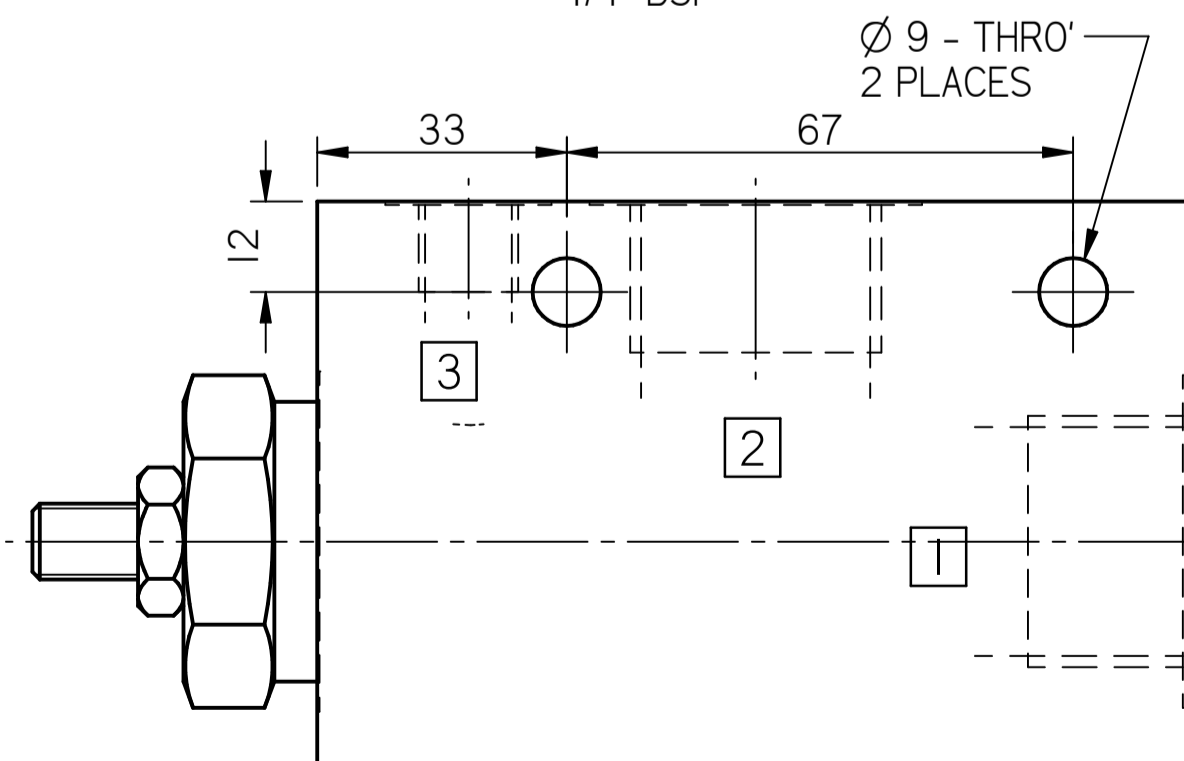
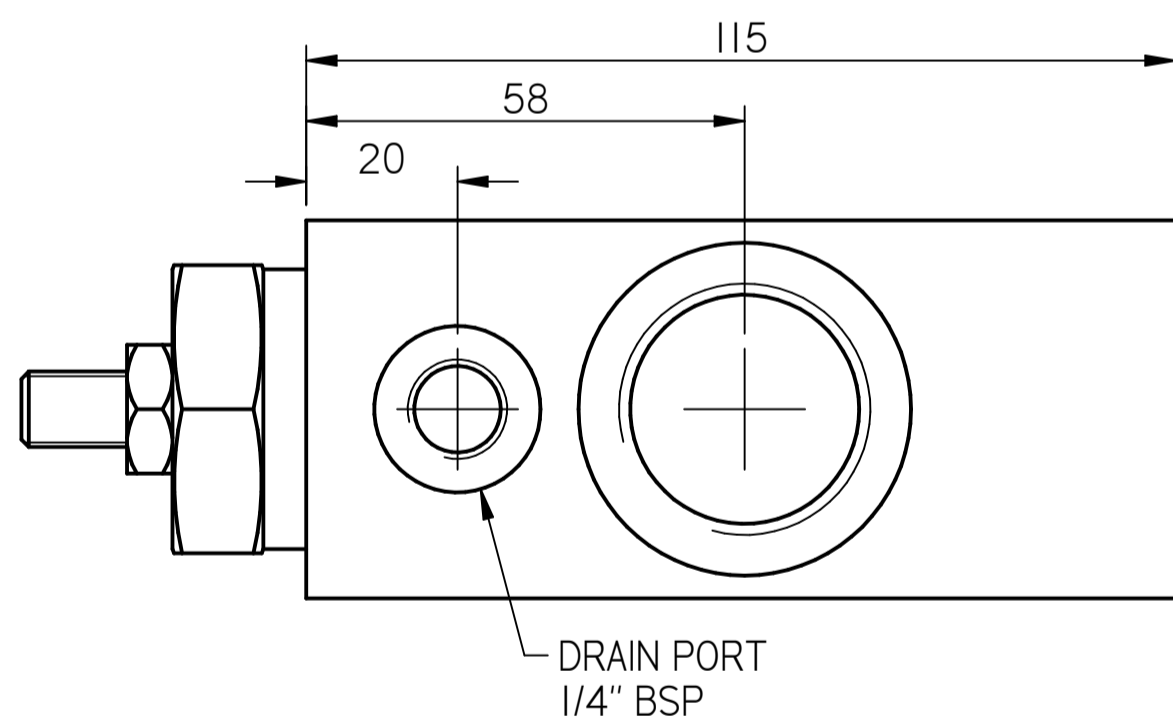
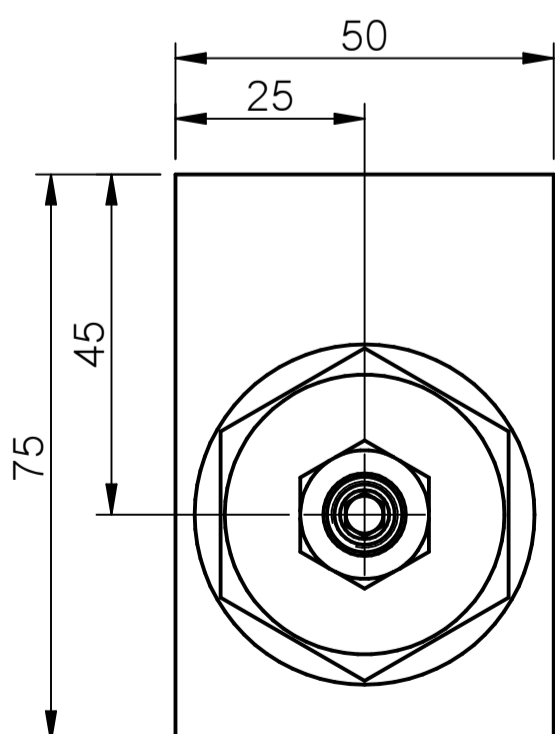
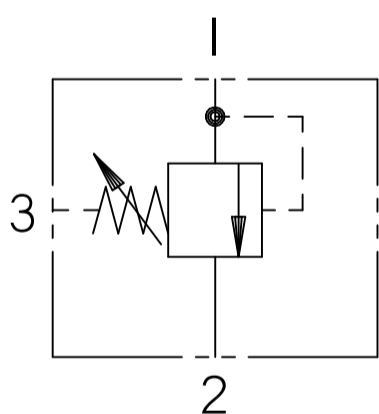


COMPLETE VALVE 1" BSP PORTS

BASIC CODE: PS250 8W

ONLY Body Part Numbers (BSP)

Aluminium 1" Z10391 SG Iron 1" Z10391S



Where measurements are critical request certified drawings. We reserve the right to change specifications without notice.