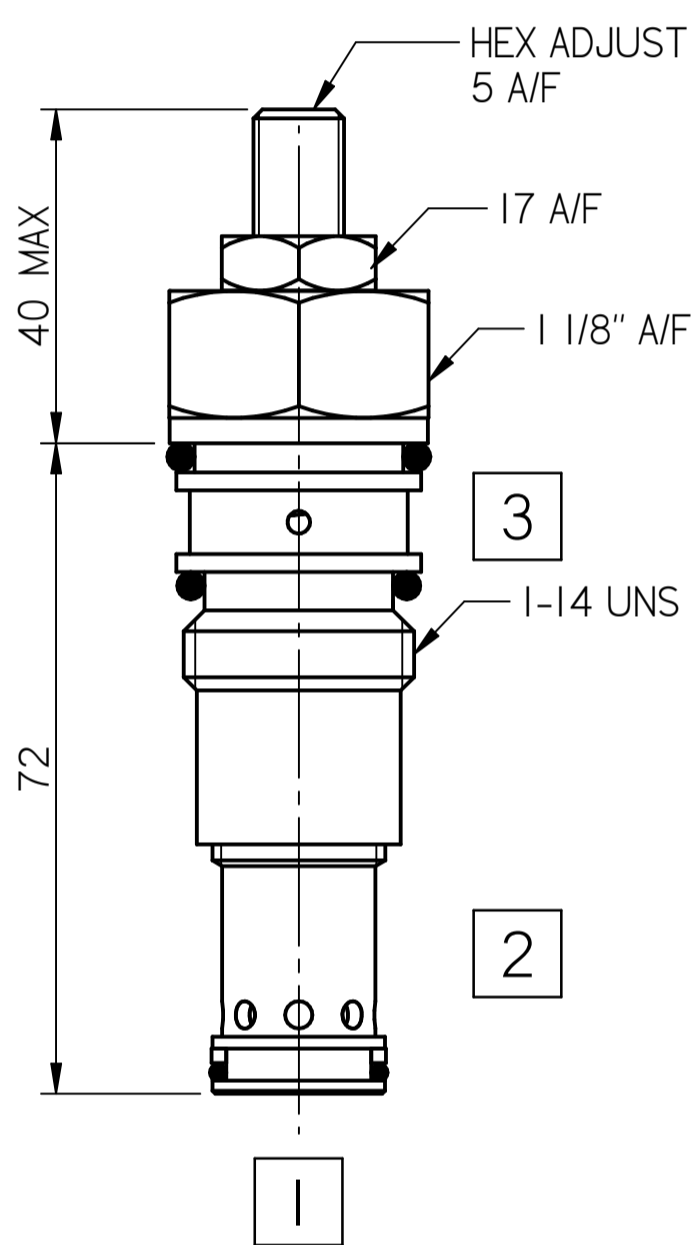
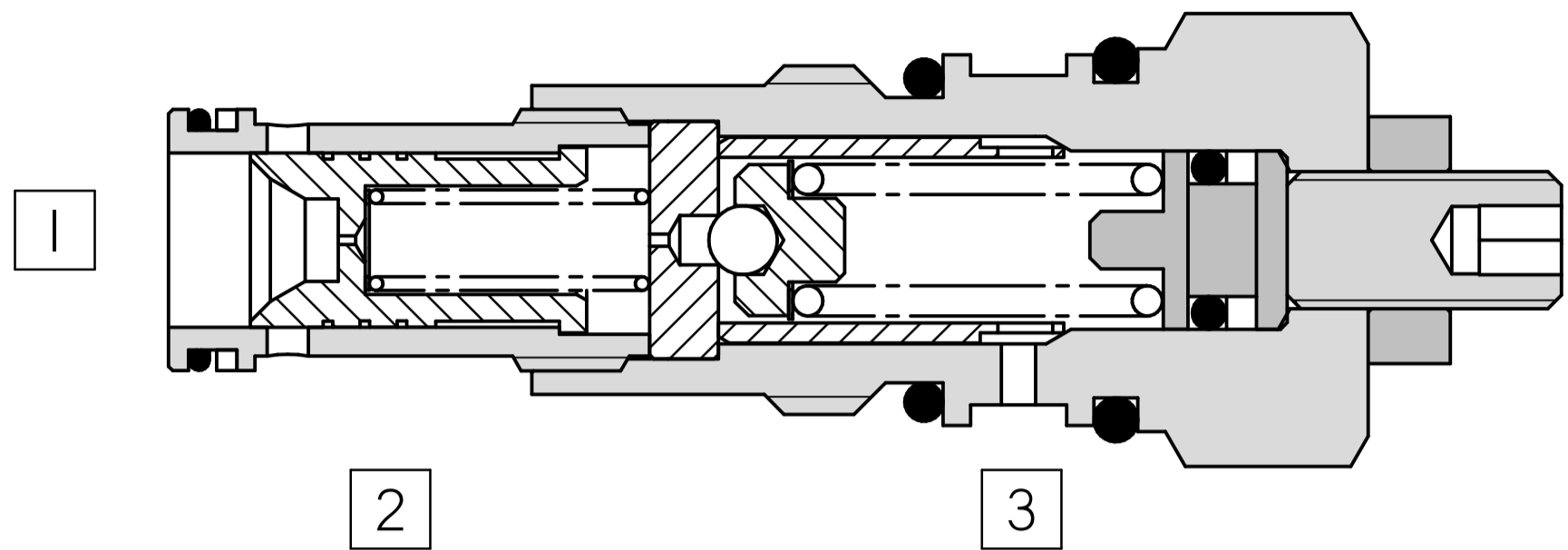
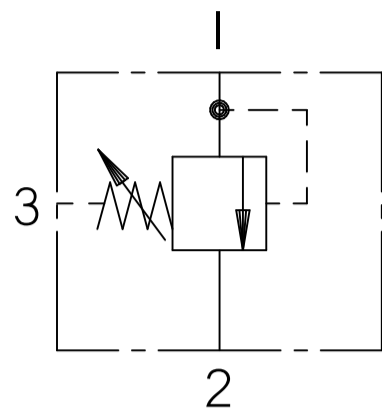


FLUID POWER SYMBOL



Application

Sequence valves provide ordered sequencing of two or more operations as with clamp and drill circuits. They can also be used as relief valves where the down-stream pressure is high or changes during operation. By taking the drain line directly to tank, back pressure effects are negated.

Operation

As in the case of Balanced Piston Relief valves, when the inlet pressure at Pressure Port (1) exceeds the valve setting, the pilot section opens causing a flow across the orifice resulting in a small pressure drop across the piston. This subsequently moves back against a light spring opening up the Pressure Port (1) to the Sequenced Port (2).

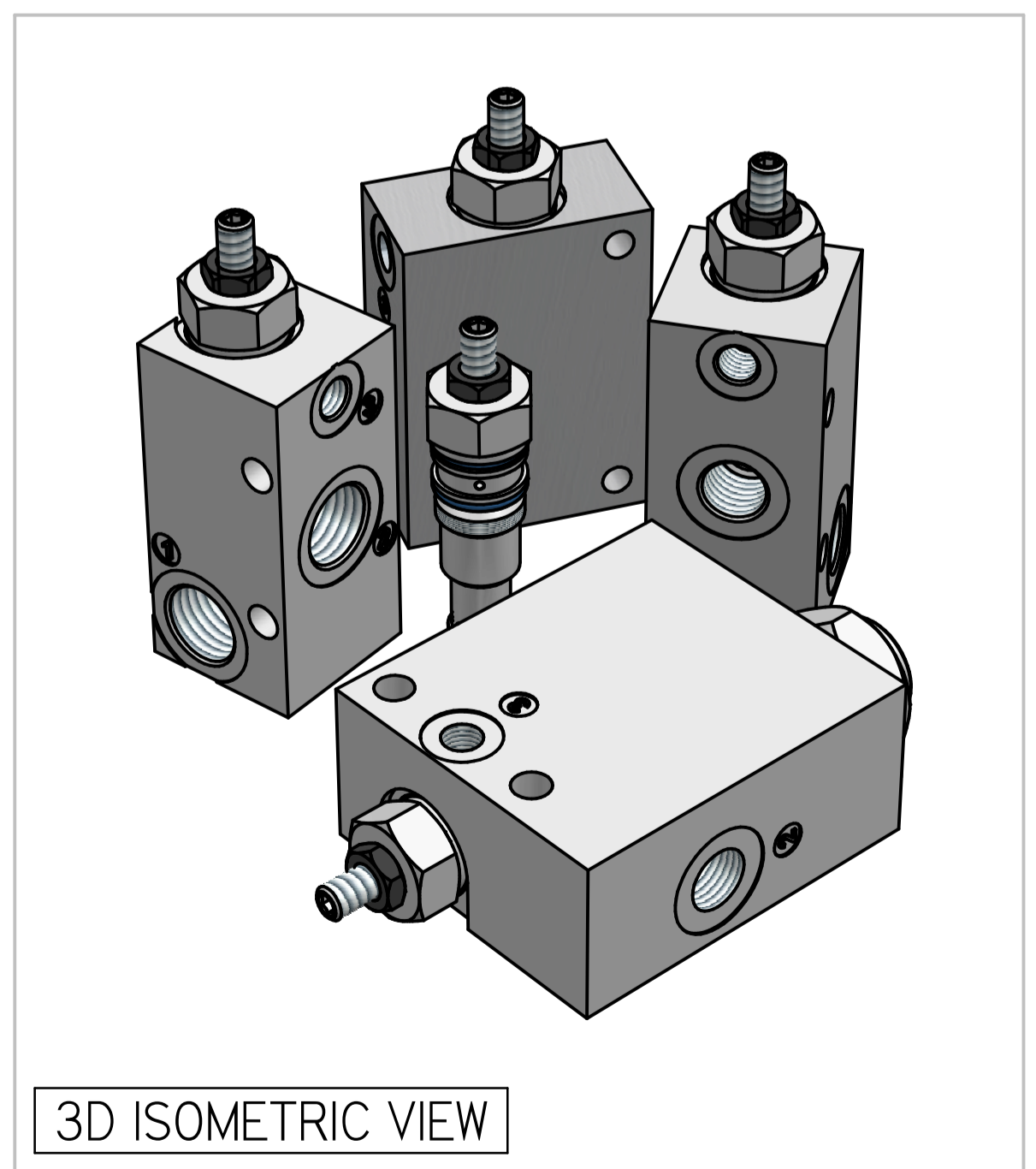
Features

Hardened, match ground and honed working parts give long, trouble-free life. There is a consistent and stable operation providing a low pressure override even with increasing flows. Cartridge construction gives maximum flexibility in mounting.

Specifications

Figures based on: Oil Temp = 40°C Viscosity = 40 cSt

Rated Flow	150 lpm
Max Pressure	350 bar
Cartridge Material	Working parts : Hardened, ground steel External surfaces : Zinc plated
Weight (Cartridge only)	PSI50: 0.170 kg
Cavity Number	TH880 (Refer Cavities Section)
Manifold Material	Aluminium (upto 250 bar) Add Suffix '729' for SG Iron (350 bar)
Torque into Cavity	60 Nm
Mounting	Line
Seal Kit Number	SKPSI50 (Nitrile) SKPSI50V (Viton®)
Filtration Level	BS5540/4 Class I8/I3 (25µ nominal)
Operating Temp	-20°C to +90°C (Standard Seals)
Leakage	Less than 35 millilitres/min
Viscosity Range	5 to 500 cSt



Where measurements are critical request certified drawings. We reserve the right to change specifications without notice.

TO ORDER

PSI50 P 6W 35 N

BASIC CODE
PSI50: WITHOUT CHECK
PSCI50: WITH CHECK IN BODY

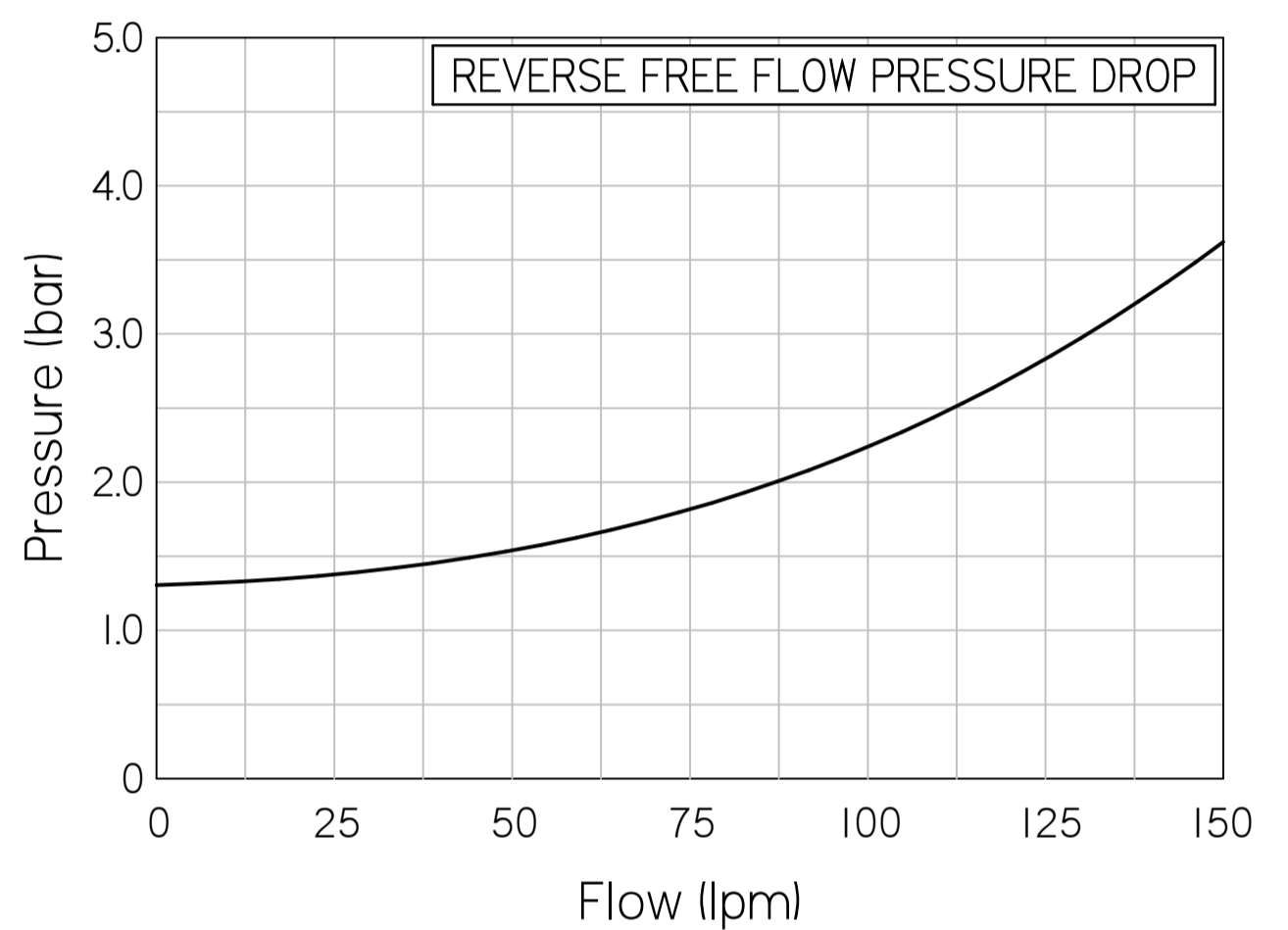
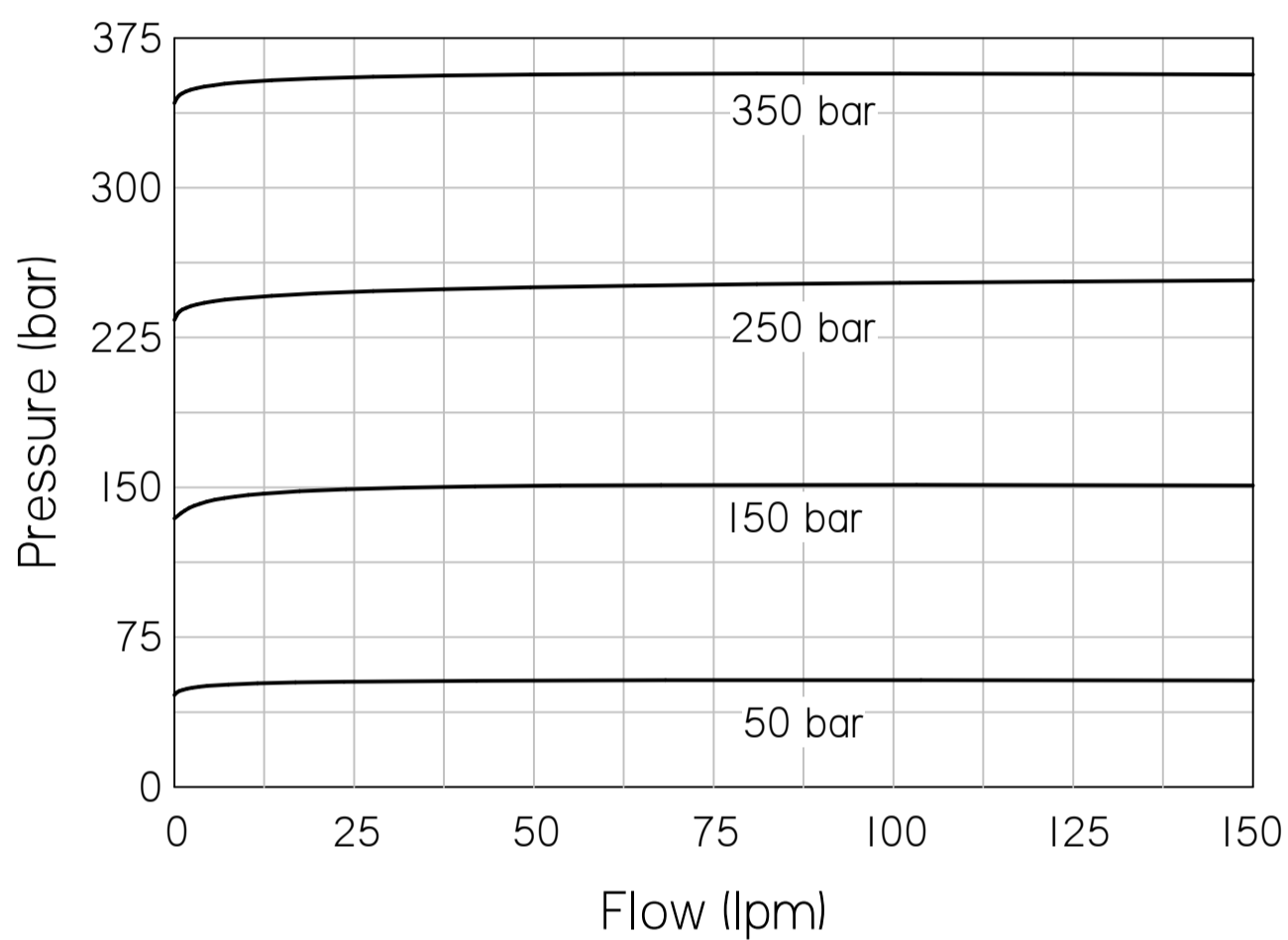
ADJUSTMENT
P: LEAKPROOF SCREW ADJUST

PORT SIZE
4W: 1/2 BSP PORTS
6W: 3/4 BSP PORTS
OMIT FOR CARTRIDGE

SEAL KIT
N: NITRILE
V: VITON

PRESSURE RANGE
20: 10 to 200 bar. Std setting 100 bar
35: 30 to 350 bar. Std setting 280 bar

PRESSURE CHARACTERISTICS

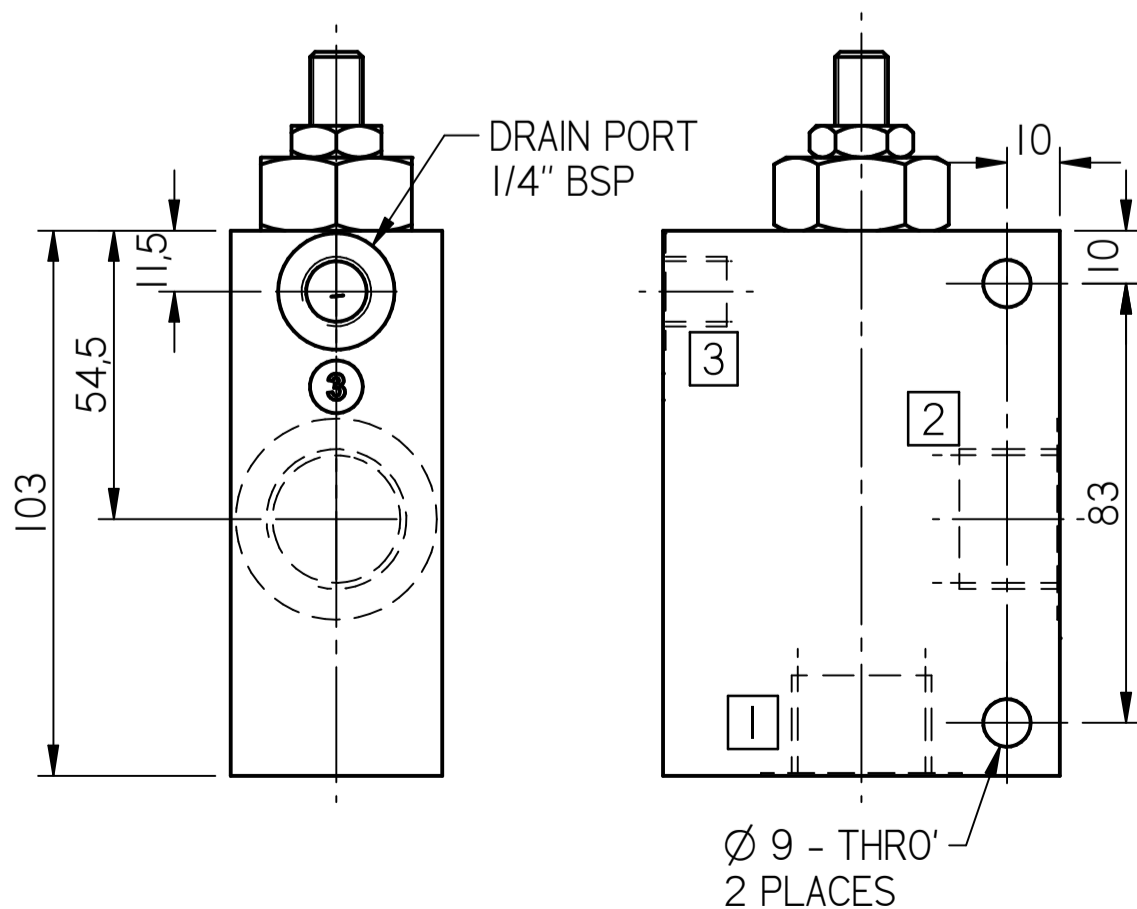
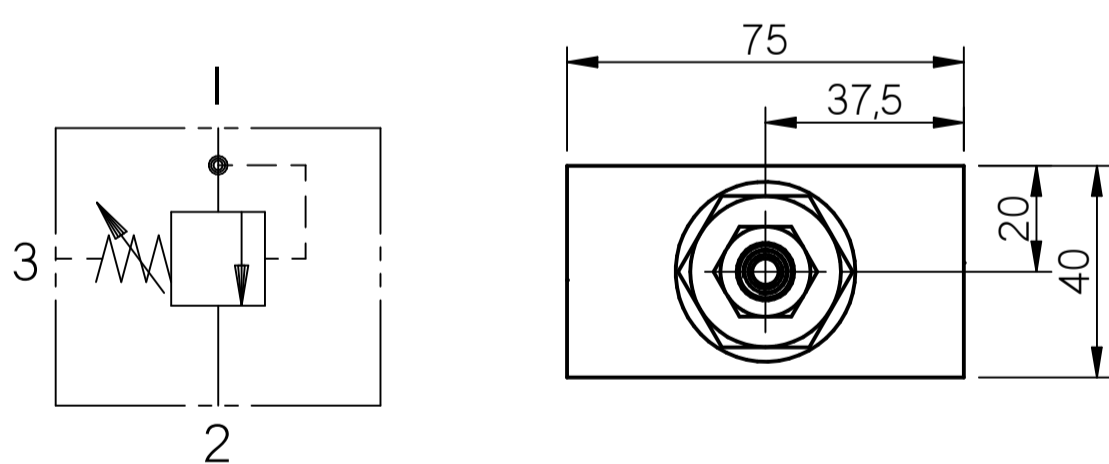


COMPLETE VALVE 3/4" BSP PORTS

BASIC CODE: PSI50 6W

ONLY Body Part Numbers (BSP)

Aluminium	SG Iron
3/4" ZI0244	3/4" ZI0244S

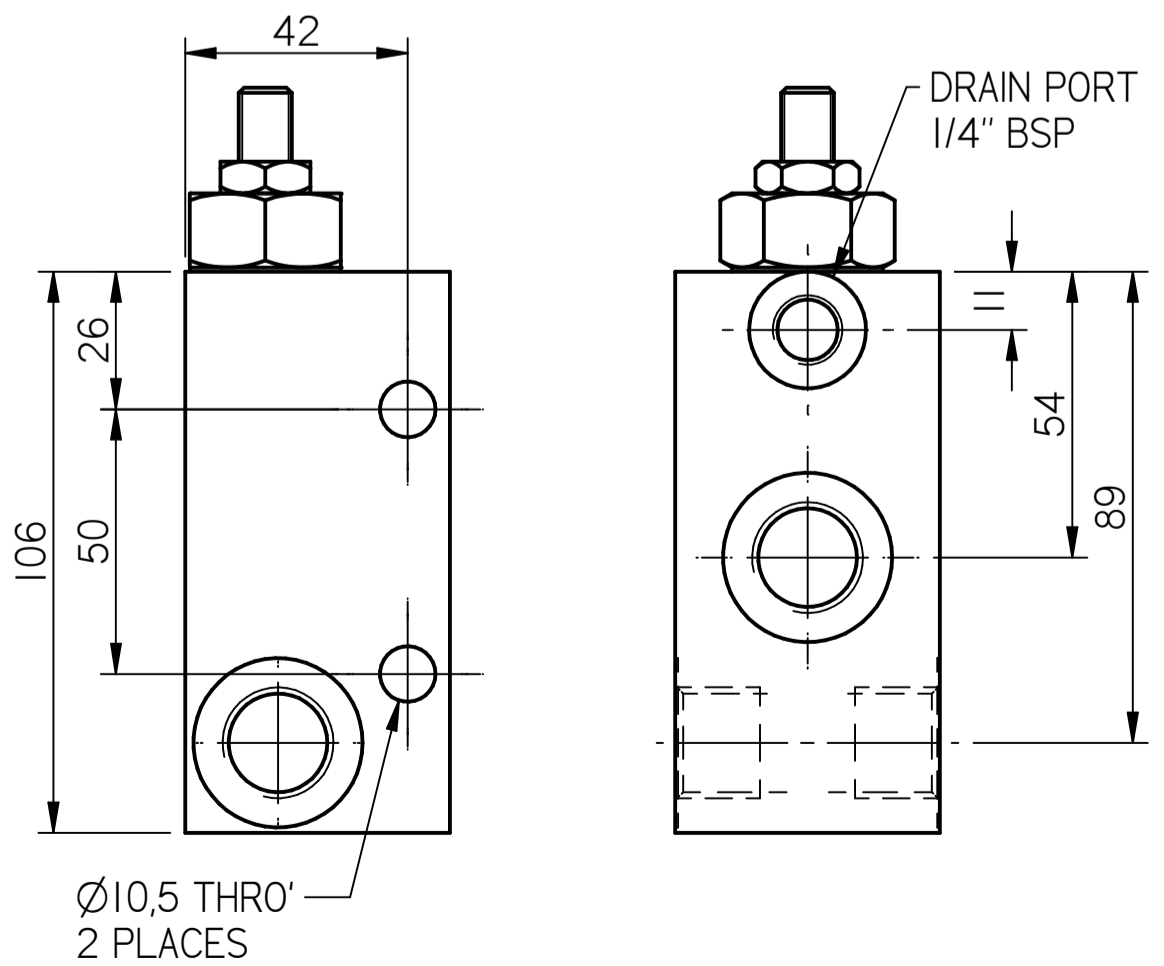
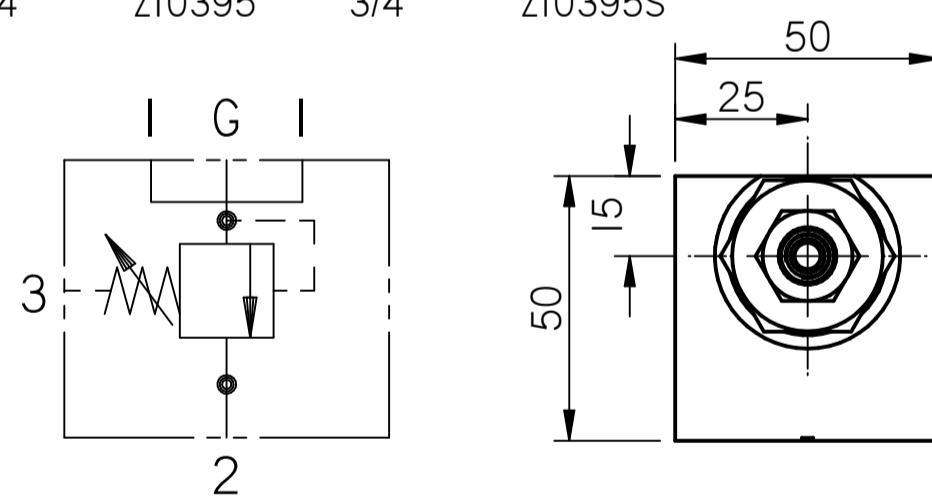


COMPLETE VALVE 1/2" 3/4" BSP PORTS

BASIC CODE: PSI54 4W/PSI54 6W

ONLY Body Part Numbers (BSP)

Aluminium	SG Iron
1/2" ZI0423	1/2" ZI0423S
3/4" ZI0395	3/4" ZI0395S



Where measurements are critical request certified drawings. We reserve the right to change specifications without notice.

TO ORDER

PSCI50 P 6W 35 N

BASIC CODE
PSCI50: WITH CHECK IN BODY

ADJUSTMENT
P: LEAKPROOF SCREW ADJUST

PORT SIZE
4W: 1/2 BSP PORTS

SEAL KIT
N: NITRILE
V: VITON

PRESSURE RANGE
20: 10 to 200 bar. Std setting 100 bar
35: 30 to 350 bar. Std setting 280 bar

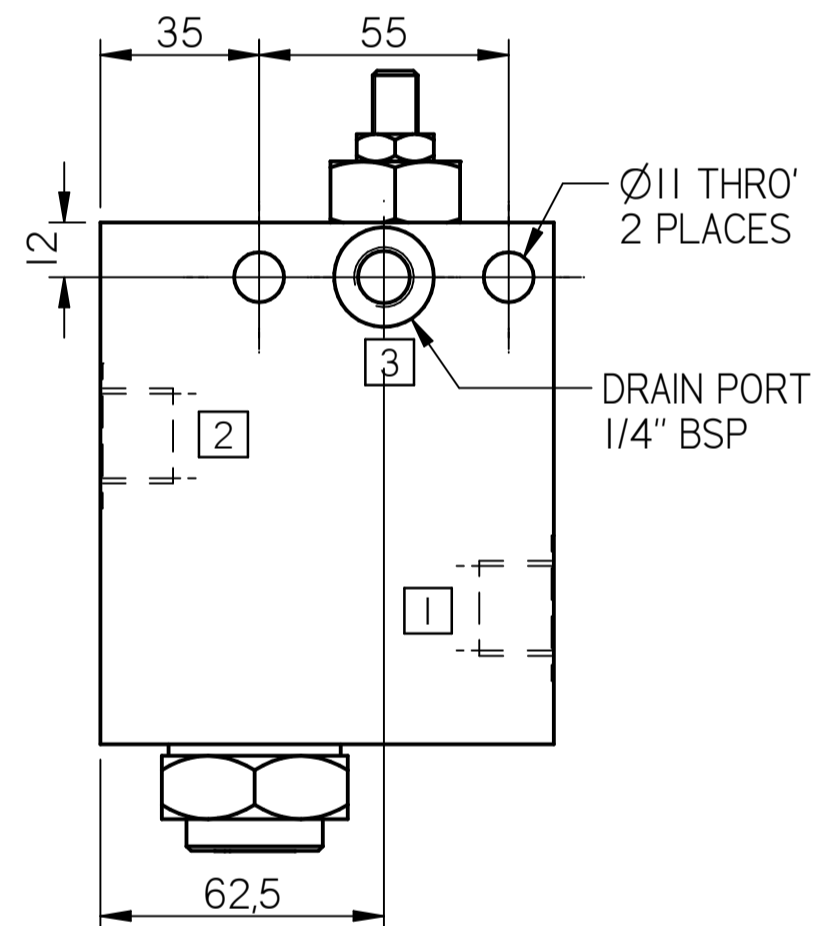
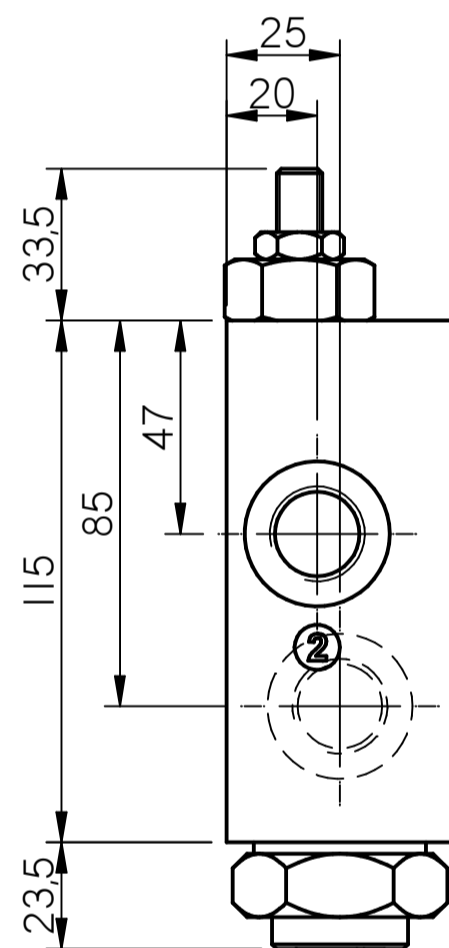
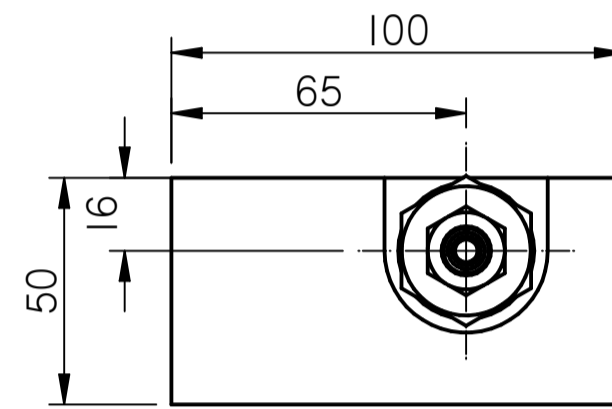
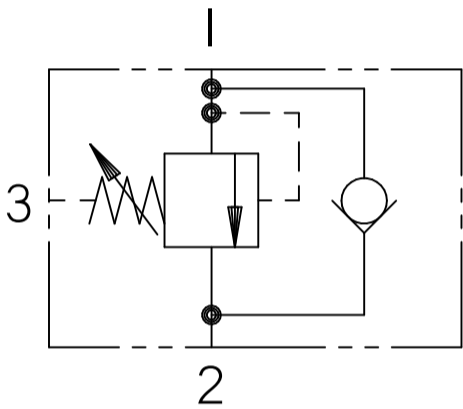
2

COMPLETE VALVE 1/2" BSP PORTS

BASIC CODE: PSCI50 4W (WITH BUILT IN CHECK)

ONLY Body Part Numbers (BSP)

Aluminium	SG Iron
1/2" Z10247	1/2" Z10247S



NOTES