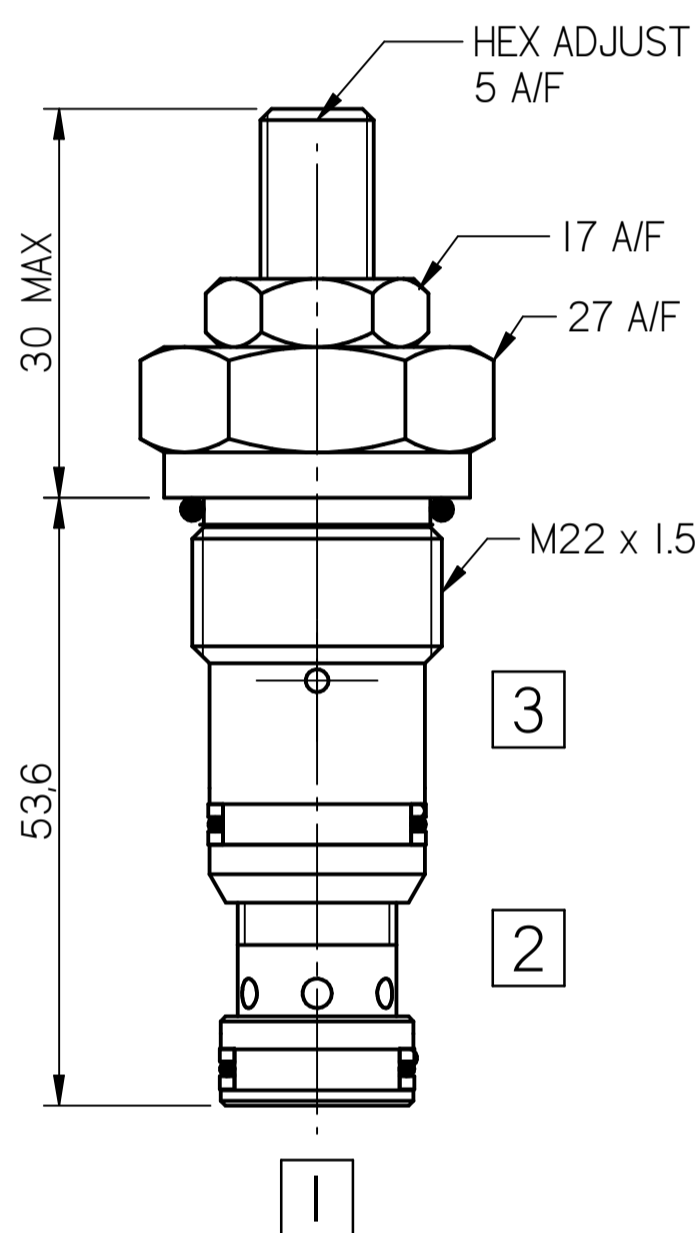
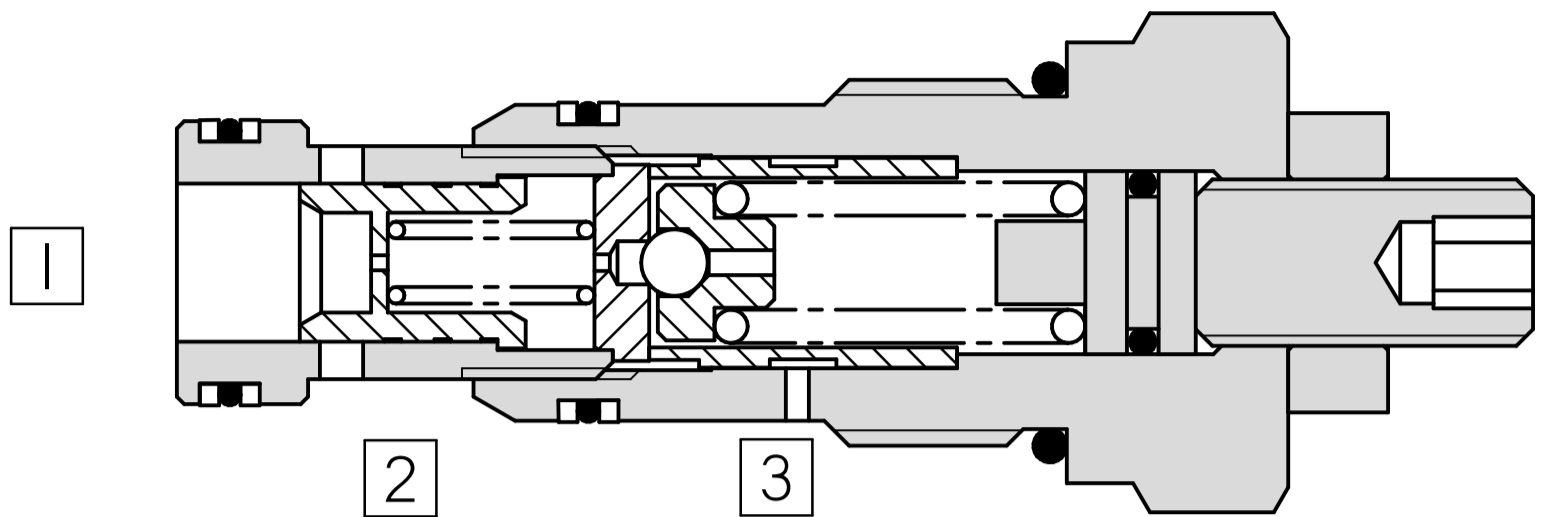
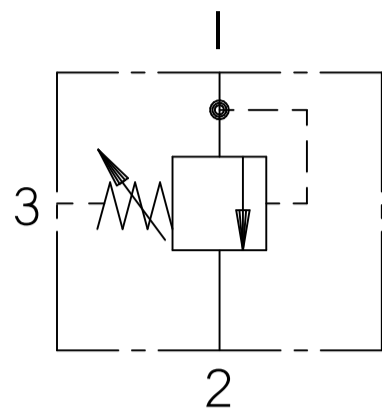


FLUID POWER SYMBOL

2



Application

Sequence valves provide ordered sequencing of two or more operations as with clamp and drill circuits. They can also be used as relief valves where the down-stream pressure is high or changes during operation. By taking the drain line directly to tank, back pressure effects are negated.

Operation

As in the case of Balanced Piston Relief valves, when the inlet pressure at Pressure Port (1) exceeds the valve setting, the pilot section opens causing a flow across the orifice resulting in a small pressure drop across the piston. This subsequently moves back against

a light spring opening up the PressurePort (1) to the Sequenced Port (2).

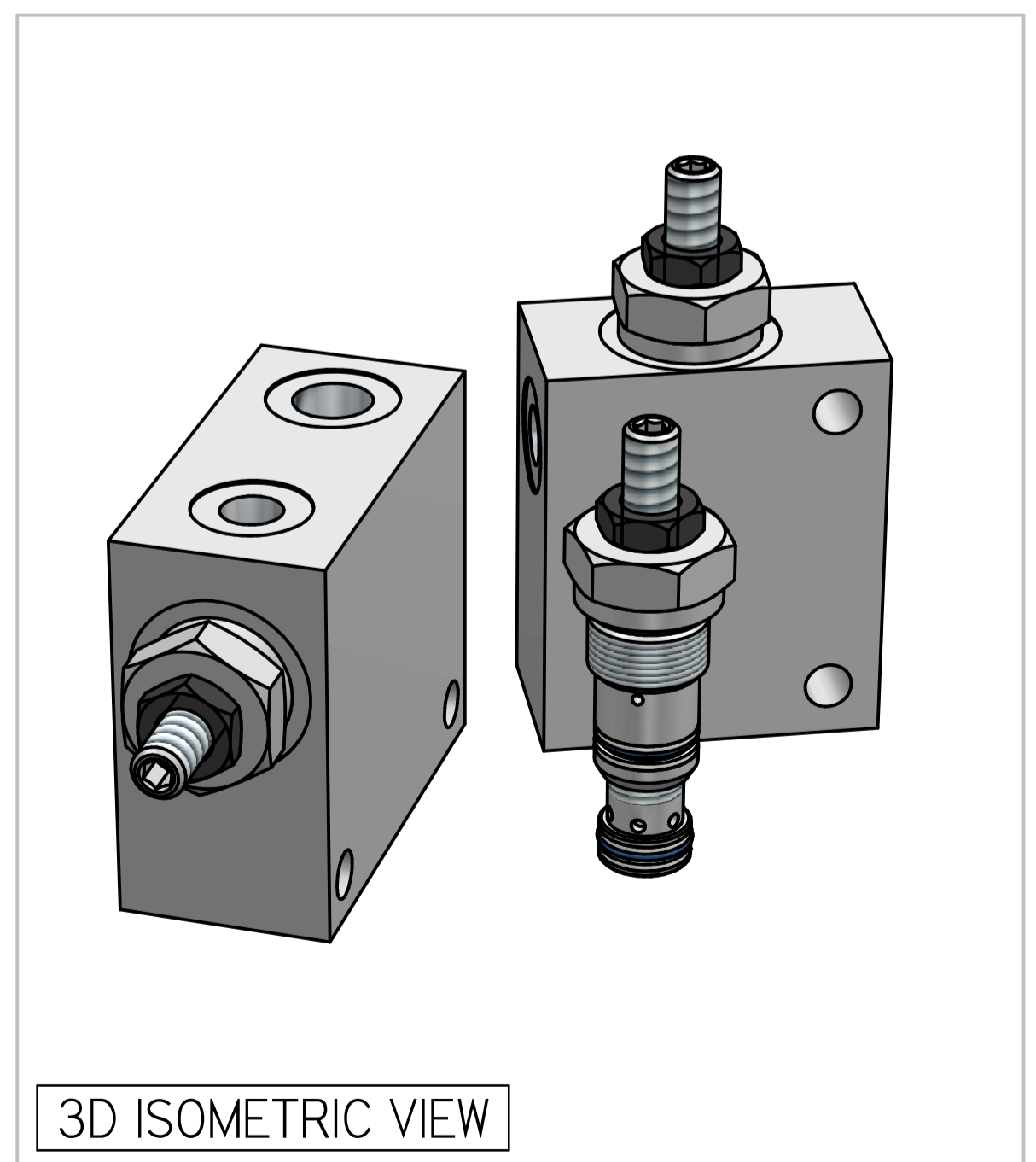
Features

Hardened, match ground and honed working parts give long, trouble-free life. There is a consistent and stable operation providing a low pressure override even with increasing flows. Cartridge construction gives maximum flexibility in mounting.

Specifications

Figures based on: Oil Temp = 40°C Viscosity = 40 cSt

Rated Flow	65 lpm	
Max Pressure	350 bar	
Cartridge Material	Working parts : Hardened, ground steel External surfaces : Zinc plated	
Weight (Cartridge only)	PS65:	0.160 kg
Cavity Number	THCVA22060 (Refer Cavities Section)	
Manifold Material	Aluminium (upto 250 bar) Add Suffix '729' for SG Iron (350 bar)	
Torque into Cavity	60 Nm	
Mounting	Line	
Seal Kit Number	SKPS65 (Nitrile)	SKPS65V (Viton®)
Filtration Level	BS5540/4 Class 18/13 (25µ nominal)	
Operating Temp	-20°C to +90°C (Standard Seals)	
Leakage	Less than 35 millilitres/min	
Viscosity Range	5 to 500 cSt	



3D ISOMETRIC VIEW

Where measurements are critical request certified drawings. We reserve the right to change specifications without notice.

TO ORDER

PS65 P 4W 35 N

BASIC CODE
PS65: WITHOUT CHECK
PSC65: WITH BUILT IN CHECK

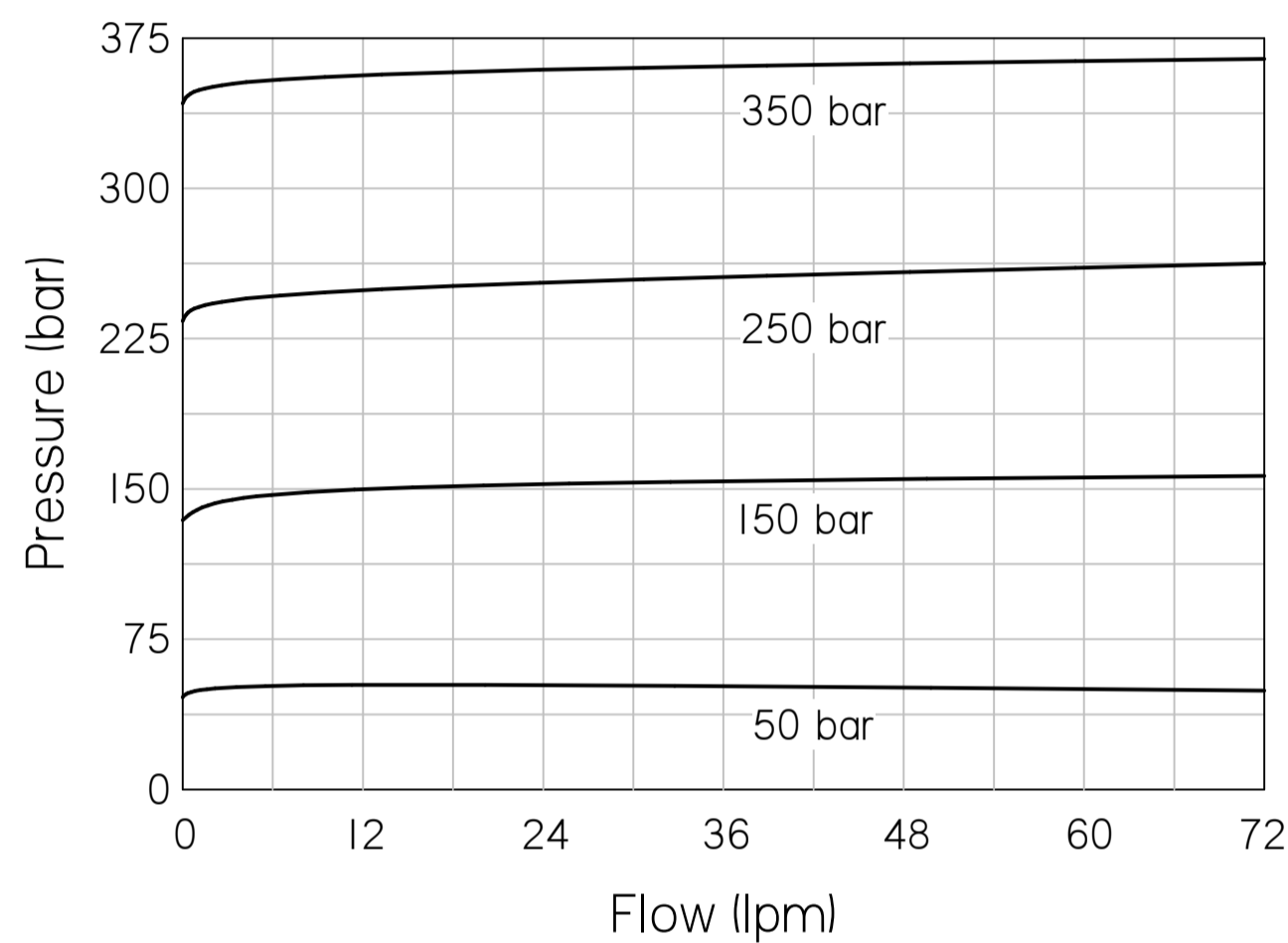
ADJUSTMENT
P: LEAKPROOF SCREW ADJUST

PORT SIZE
3W: 3/8 BSP PORTS
4W: 1/2 BSP PORTS
OMIT FOR CARTRIDGE

SEAL KIT
N: NITRILE
V: VITON

PRESSURE RANGE
10: 10 to 100 bar. Std setting 35 bar
20: 15 to 200 bar. Std setting 100 bar
35: 30 to 350 bar. Std setting 280 bar

PRESSURE CHARACTERISTICS

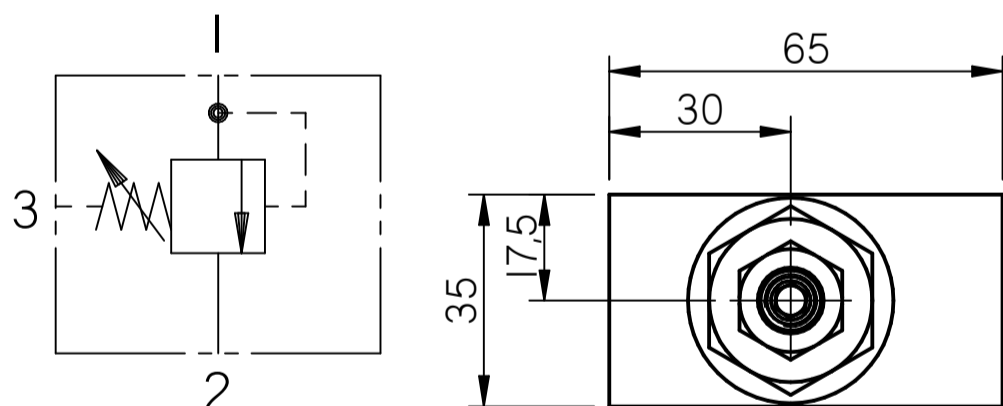


COMPLETE VALVE 1/2" BSP PORTS

BASIC CODE: PS65 4W

ONLY Body Part Numbers (BSP)

Aluminium SG Iron
1/2" Z10264 1/2" Z10264S

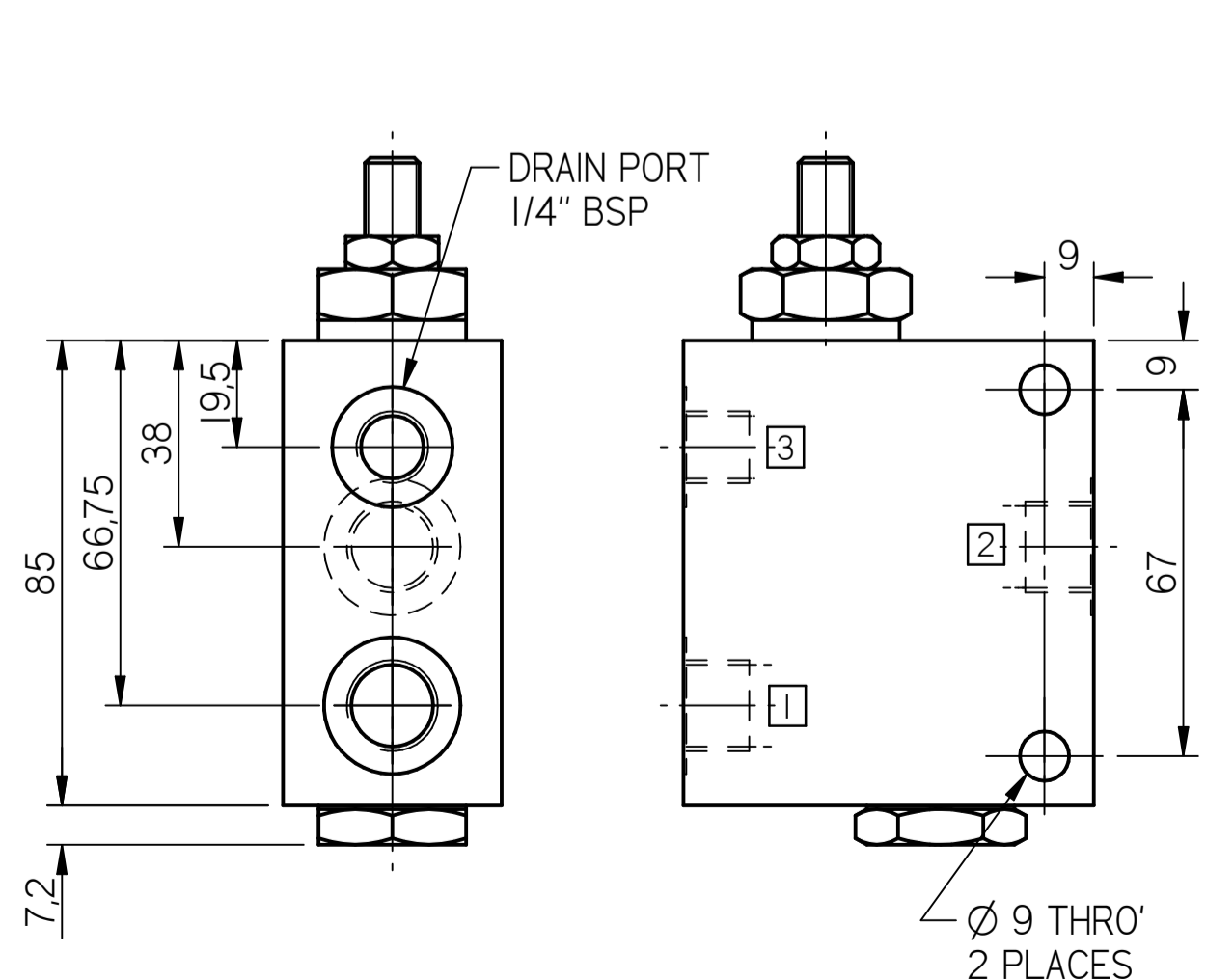
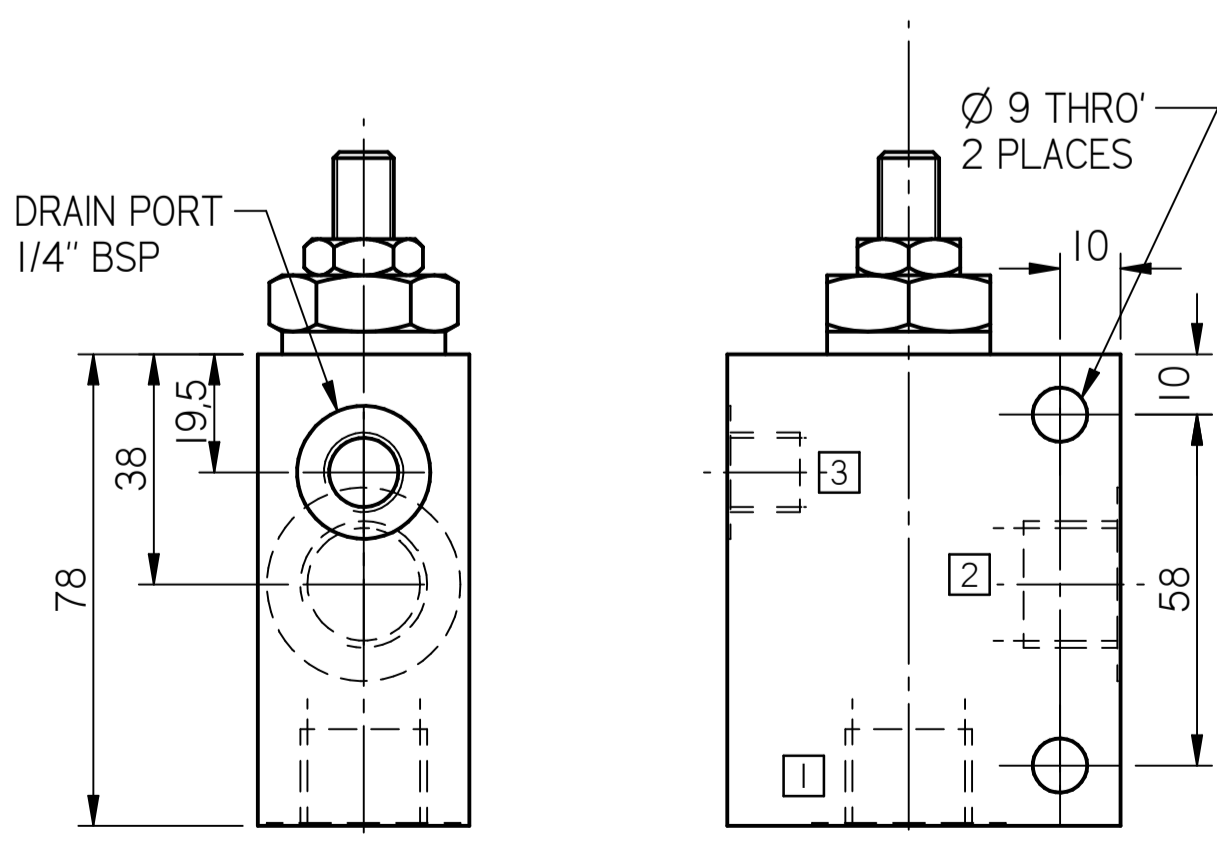
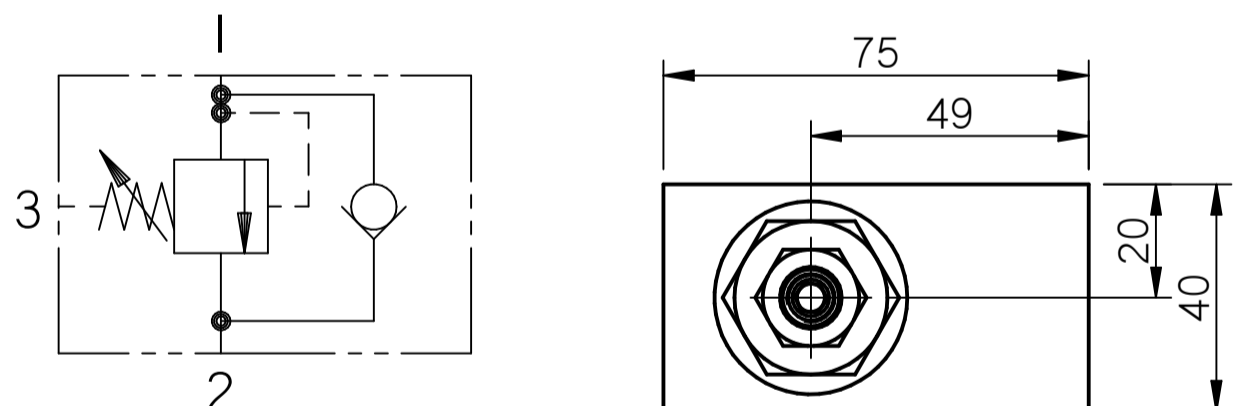


COMPLETE VALVE 3/8" BSP PORTS

BASIC CODE: PSC65 3W (WITH BUILT IN CHECK)

ONLY Body Part Numbers (BSP)

Aluminium SG Iron
3/8" Z10264 3/8" Z10264S



Where measurements are critical request certified drawings. We reserve the right to change specifications without notice.