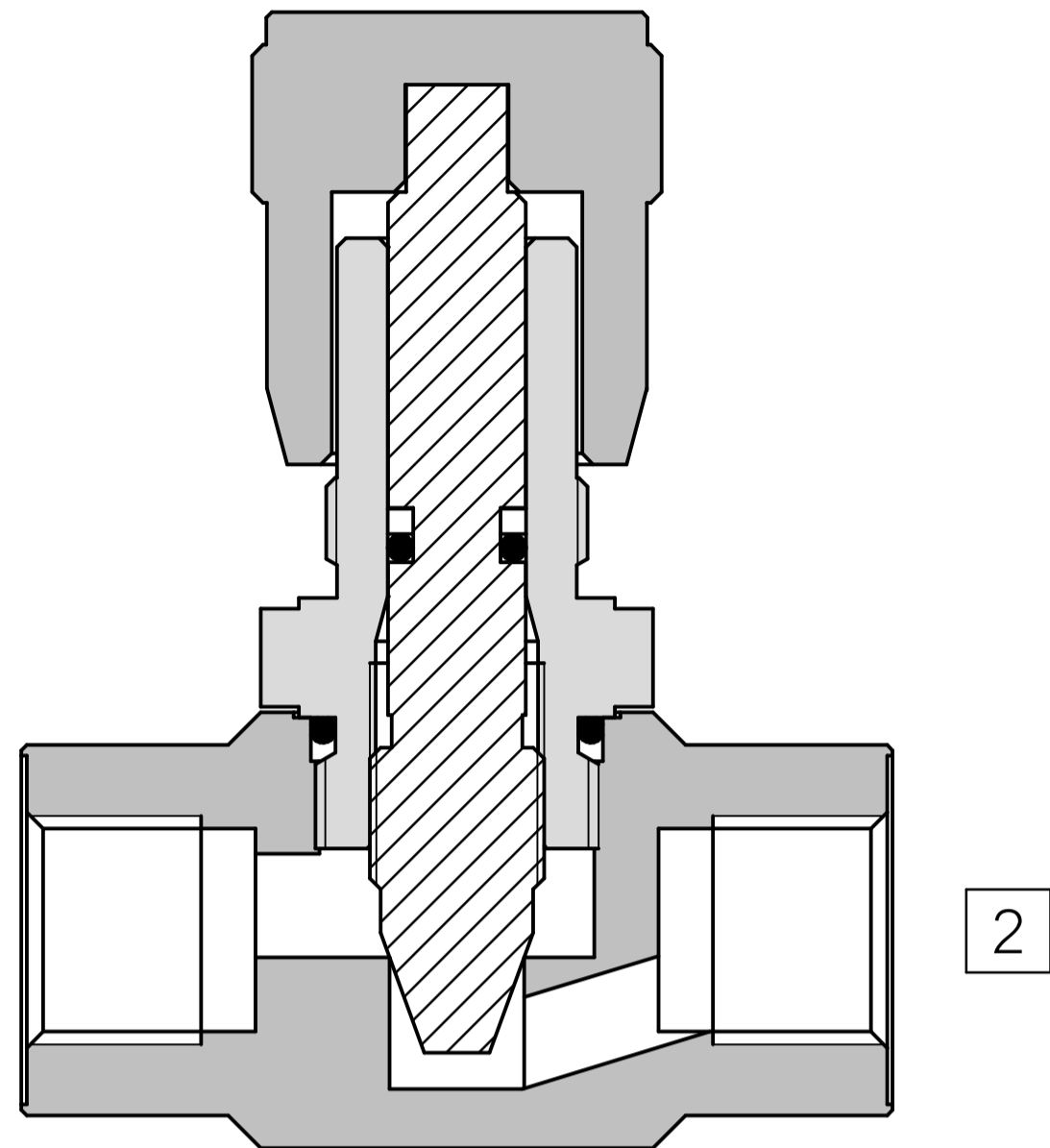
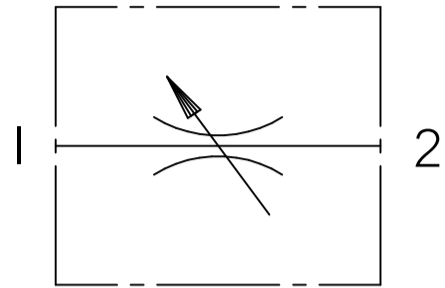


FLUID POWER SYMBOL



**Application**

Throttle valves can be used where volume flows have to be infinitely controlled in both directions without taking pressure fluctuations into account. The line mounted design with BSP ports is ideal for installing in-line for power packs or hydraulics circuits.

**Operation**

A fine tread on the adjustable throttle reveals an annular gap. The adjusted throttle cross-section produces a pressure drop which determines the volume flow. The volume flow is zero when the throttle is screwed in (the metal sealing edge seals completely). The valve flow is bidirectional.

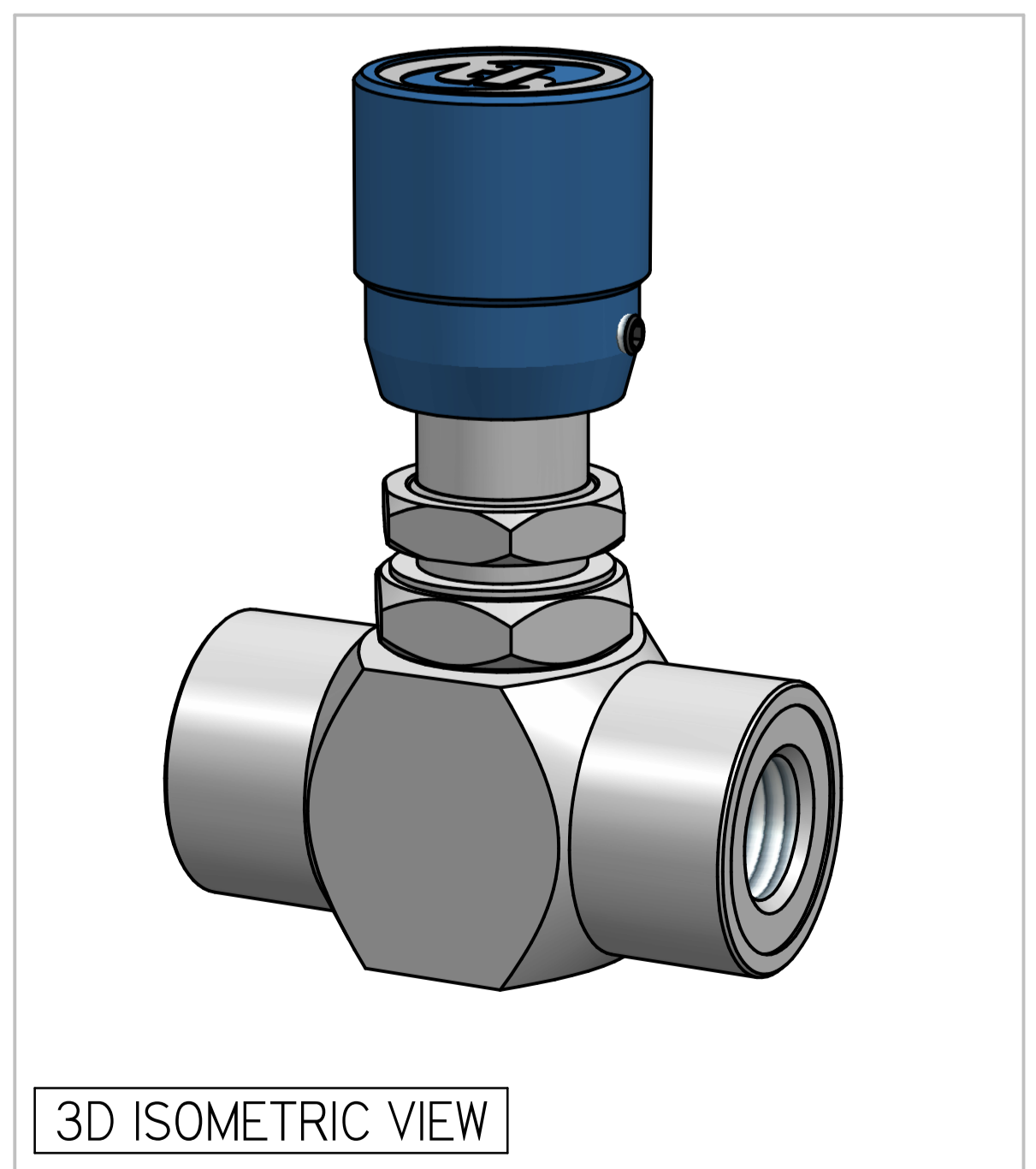
**Features**

Hardened and ground spindles with machined and hardened seats give excellent flow characteristics with zero leakage. Installation is quick and easy due to the standard port sizes.

**Specifications**

Figures based on: Oil Temp = 40°C Viscosity = 40 cSt

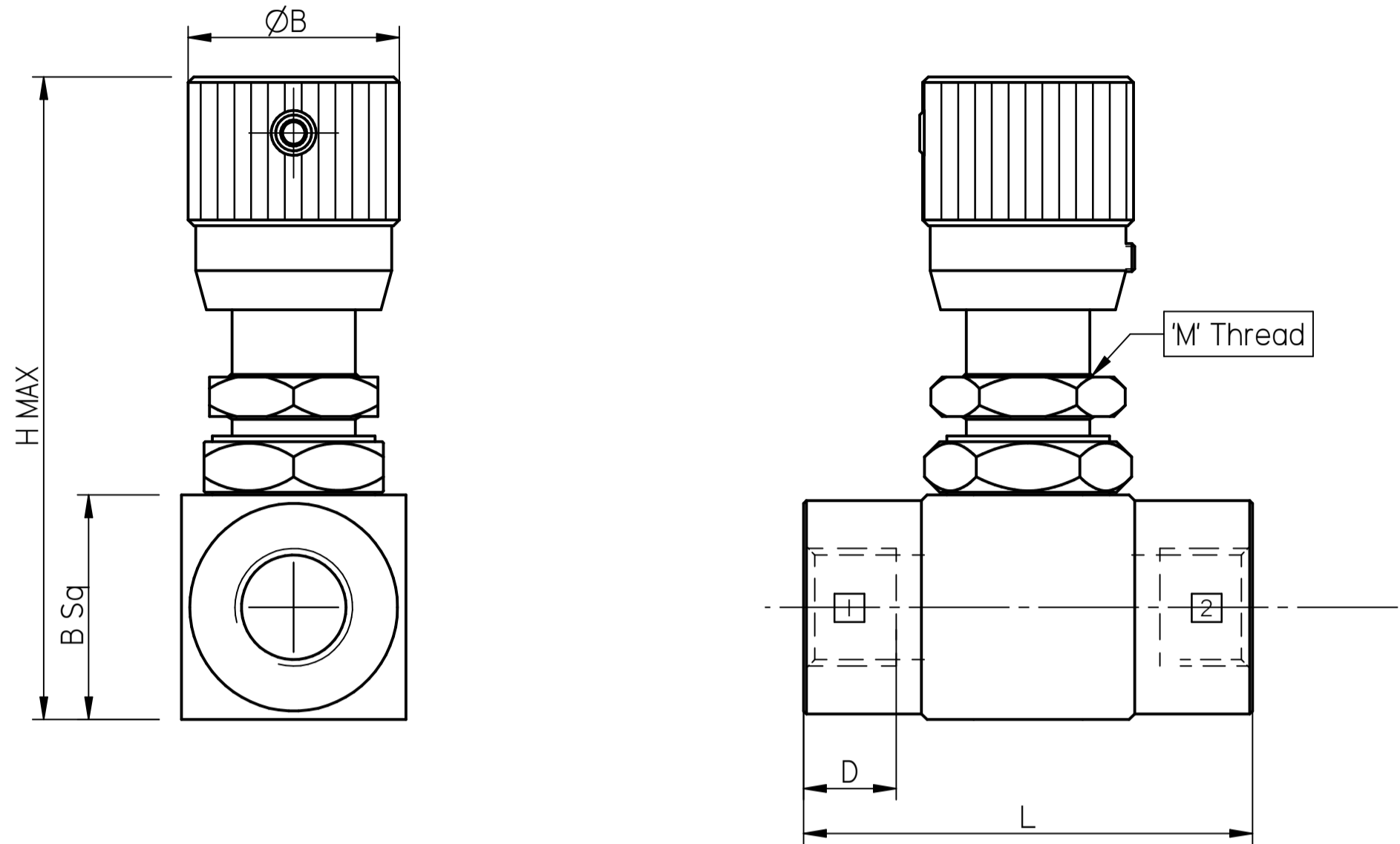
Rated Flow	See Graph
Max Pressure	350 bar
Cartridge Material	Working parts : Hardened, ground steel External surfaces : Zinc plated
Weight (Cartridge only)	See Chart
Material of Constructoin	Steel
Mounting	Line
Seal Kit Number	See Chart
Filtration Level	BS5540/4 Class 18/13 (25µ nominal)
Operating Temp	-20°C to +90°C (Standard Seals)
Leakage	Less than 0.3 millilitres/min (5 dpm)
Viscosity Range	5 to 500 cSt



Where measurements are critical request certified drawings. We reserve the right to change specifications without notice.

**COMPLETE VALVE** VARIOUS BSP PORTS

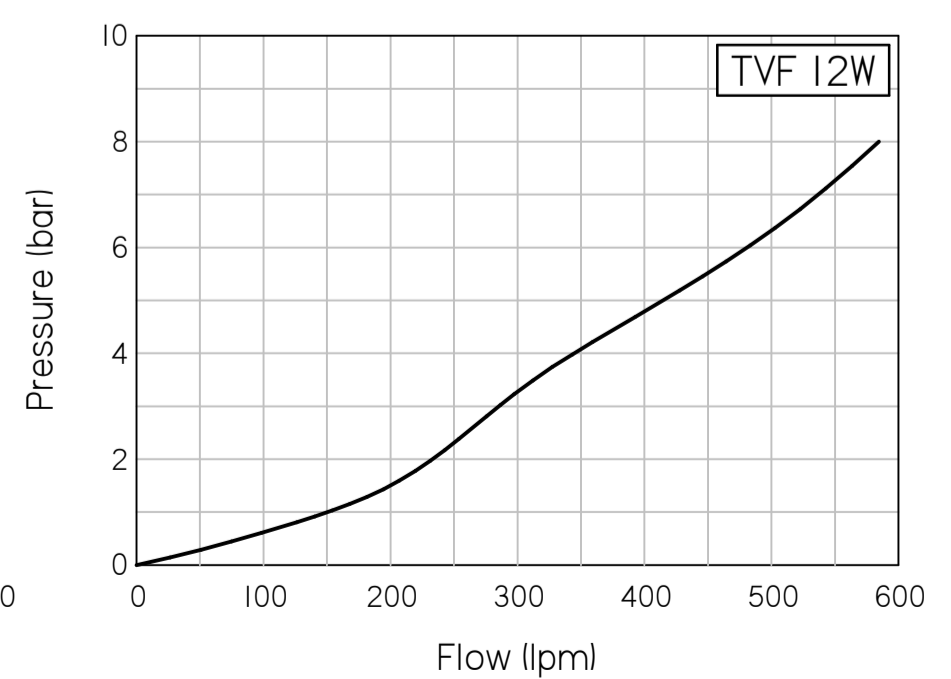
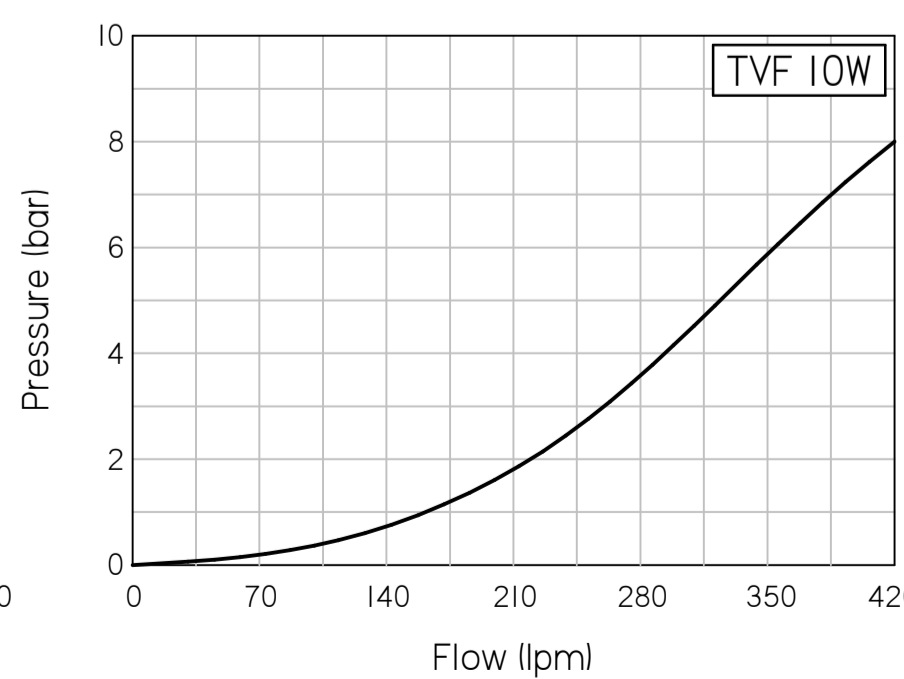
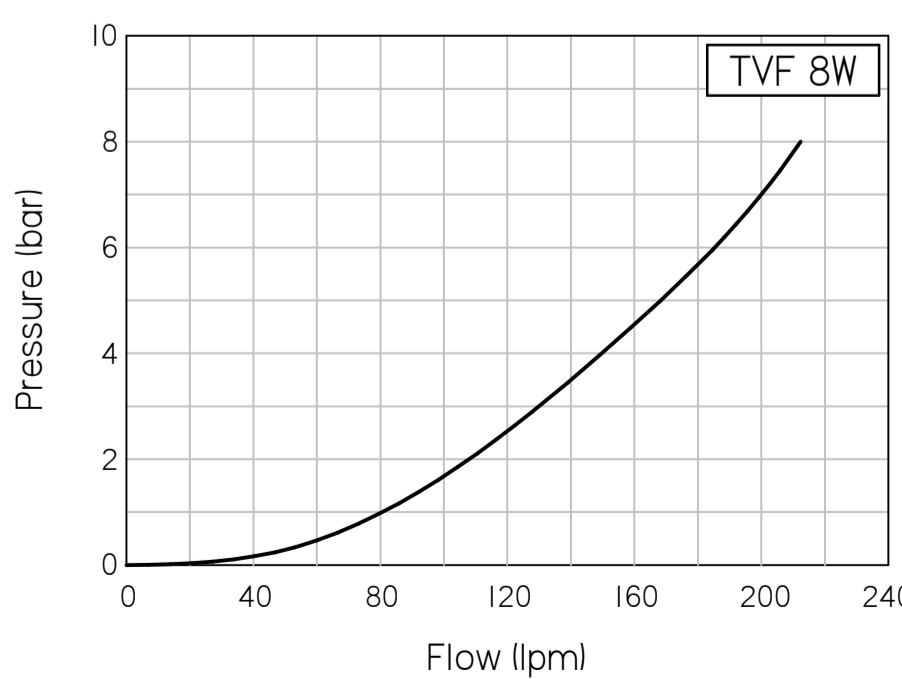
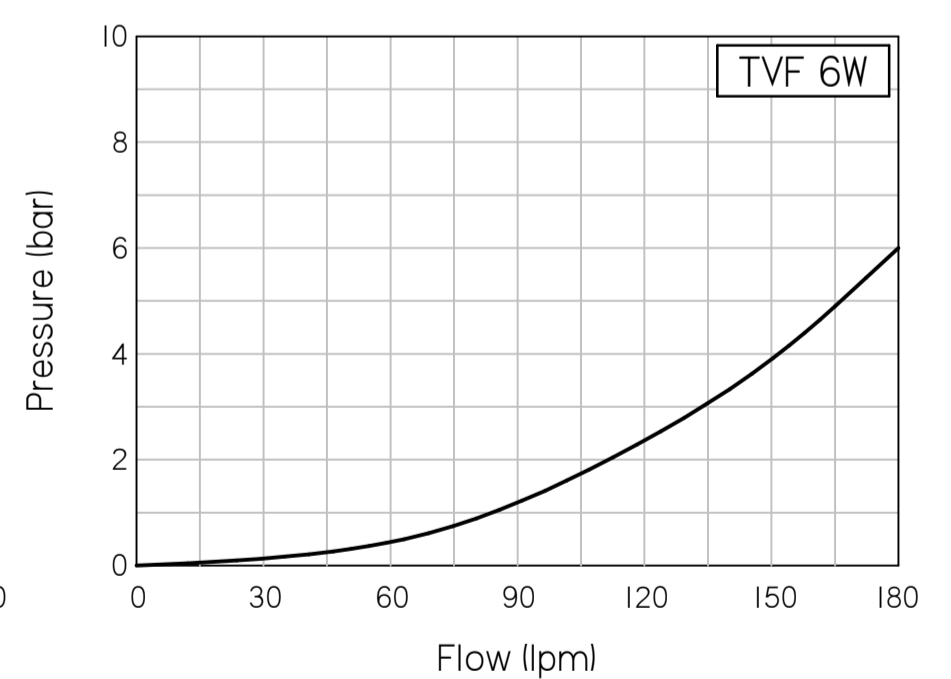
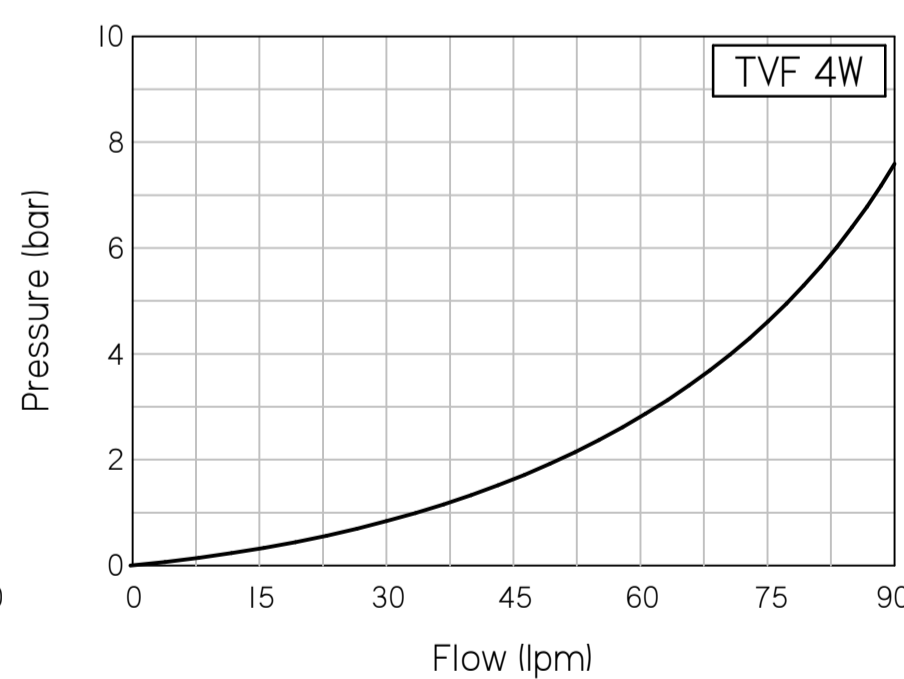
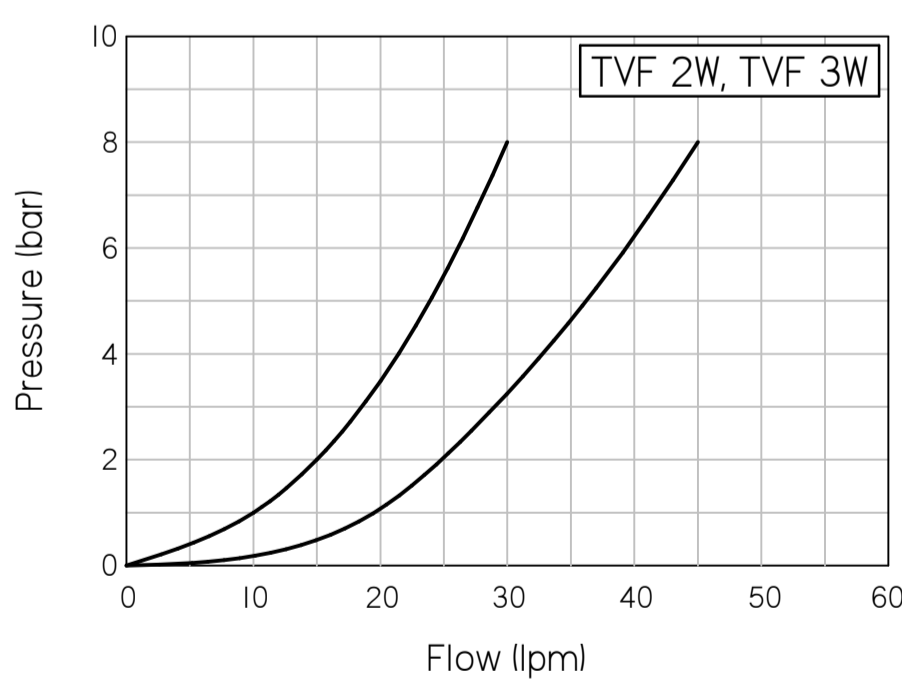
BASIC CODE: TVF \*\*\*



6

Ordering Code	Pressure	G	L	D	B	S	H	M	Seal Kit	Weight
TVF 2W	350 bar	1/4" BSP	55	12	30	25	90	M18 x 1.5	SKTVF2W	0.38 Kg
TVF 3W	350 bar	3/8" BSP	70	12	38	32	105	M22 x 1.5	SKTVF3W	0.58 Kg
TVF 4W	350 bar	1/2" BSP	80	14	38	40	112	M24 x 1.5	SKTVF4W	0.97 Kg
TVF 6W	300 bar	3/4" BSP	100	19	48	50	134	M33 x 2.0	SKTVF6W	1.90 Kg
TVF 8W	300 bar	1" BSP	100	21	48	63	134	M33 x 2.0	SKTVF8W	3.10 Kg
TVF 10W	200 bar	1-1/4" BSP	110	24	61	70	185	M35 x 1.5	SKTVF10W	3.90 Kg
TVF 12W	200 bar	1-1/2" BSP	110	24	61	70	185	M35 x 1.5	SKTVF12W	4.50 Kg

**PRESSURE CHARACTERISTICS**



Where measurements are critical request certified drawings. We reserve the right to change specifications without notice.