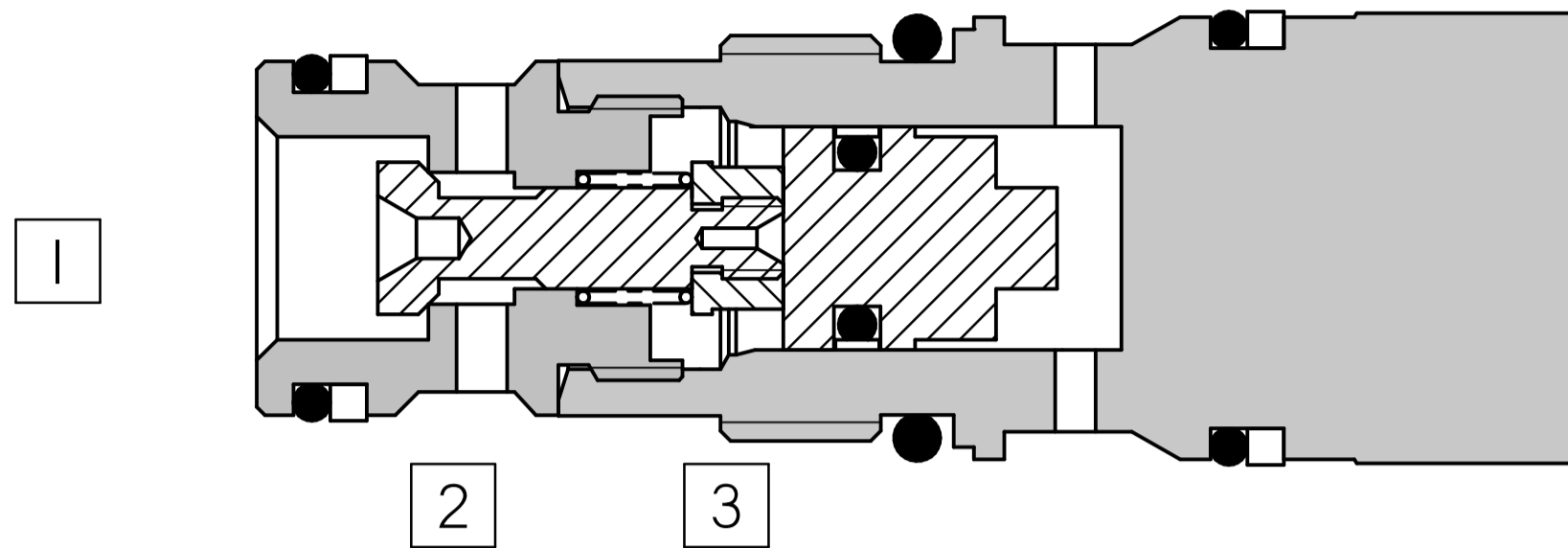
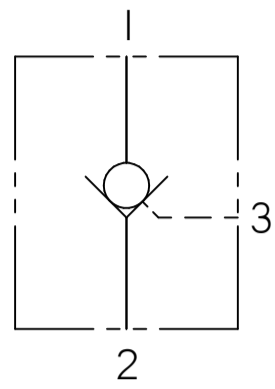
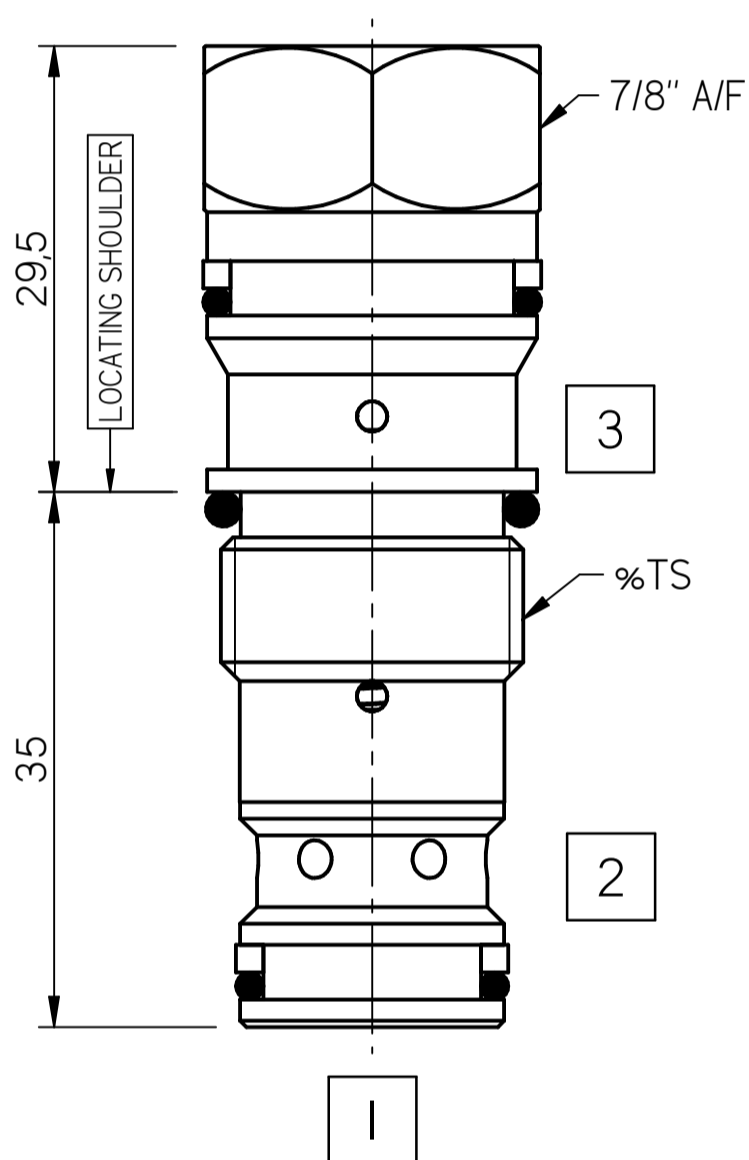


FLUID POWER SYMBOL



5



Application

Pilot check valves allow flow to pass in one direction, with a low pressure drop, then prevent reverse flow until pilot pressure is applied. There are many applications for this valve type, the most common being to lock and hold a cylinder, or another hydraulic actuator, in position. The CKS35 is a small cartridge valve and is ideally suited for fitting directly into a cylinder, giving economy of installation, direct control of cylinder movement and ease of servicing.

Operation

Pressure on the valve port causes the poppet to lift against the spring force, allowing the flow to the cylinder port.

Reverse flow is prevented by the poppet reseating. Pressure applied to the pilot port will overcome the cylinder port pressure and lift the poppet from its seat, allowing flow from the cylinder to valve port.

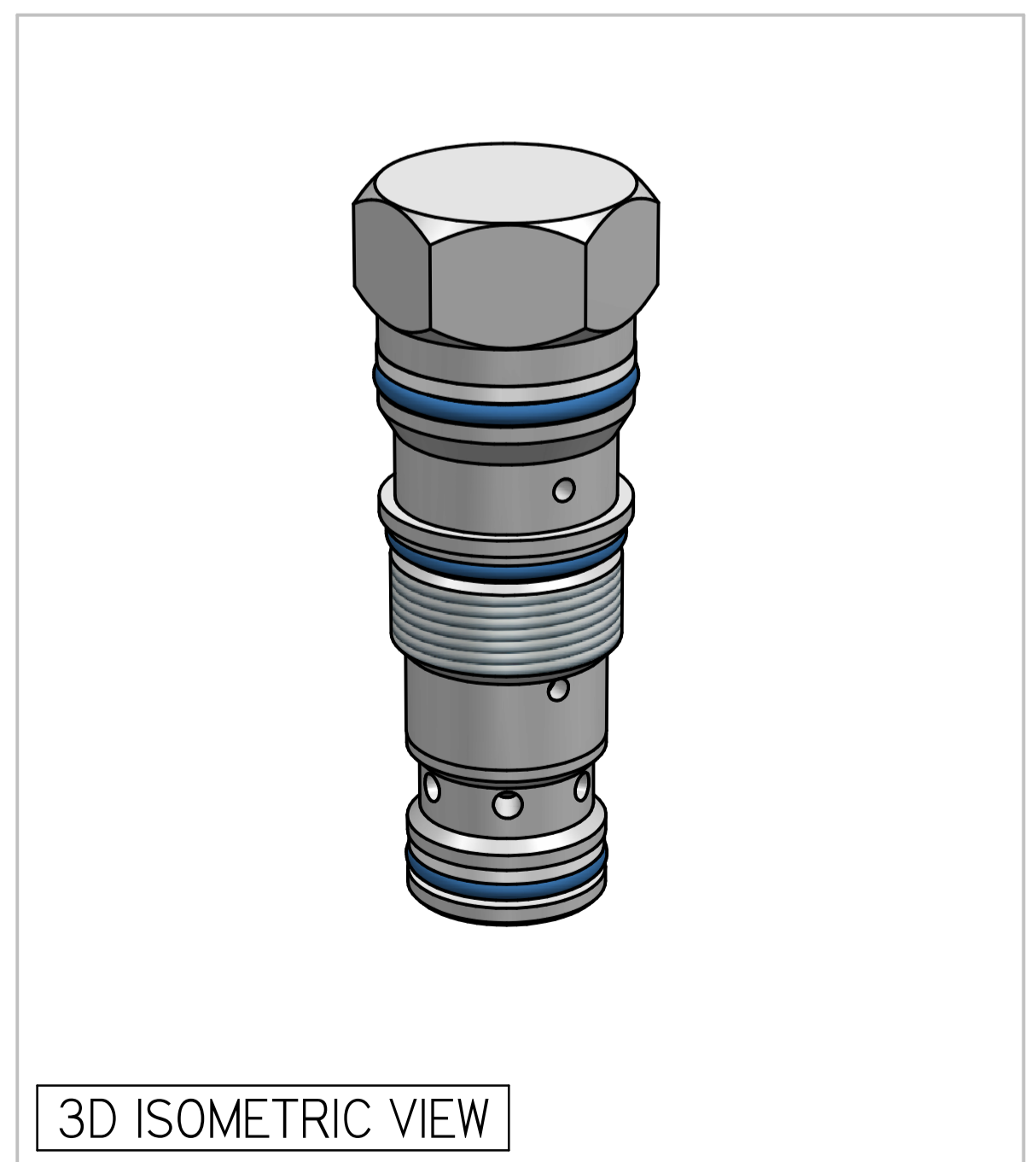
Features

Hardened and ground poppet gives excellent flow capability for valve size, positive sealing and long working life. Cartridge construction allows installation in actuators, manifold blocks and hydraulic Integrated Circuits. The valve fits the same cavity as the OSC35 overcenter valve.

Specifications

Figures based on: Oil Temp = 40°C Viscosity = 40 cSt

Max Flow	60 lpm
Max Pressure	350 bar
Cartridge Material	Working parts : Hardened, ground steel External surfaces : Zinc plated
Weight (Cartridge only)	CKS35: 0.150 kg
Cavity Number	THSC11A (Refer Cavities Section)
Torque into Cavity	45 Nm
Mounting	Line
Seal Kit Number	SKCKS35 (Nitrile) SKCKS35 V (Viton®)
Filtration Level	BS5540/4 Class I8/I3 (25µ nominal)
Operating Temp	-20°C to +90°C (Standard Seals)
Leakage	Less than 0.3 millilitres/min (5 dpm)
Viscosity Range	5 to 500 cSt



3D ISOMETRIC VIEW

Where measurements are critical request certified drawings. We reserve the right to change specifications without notice.

TO ORDER

CKS35 N 3

BASIC CODE

SEAL KIT

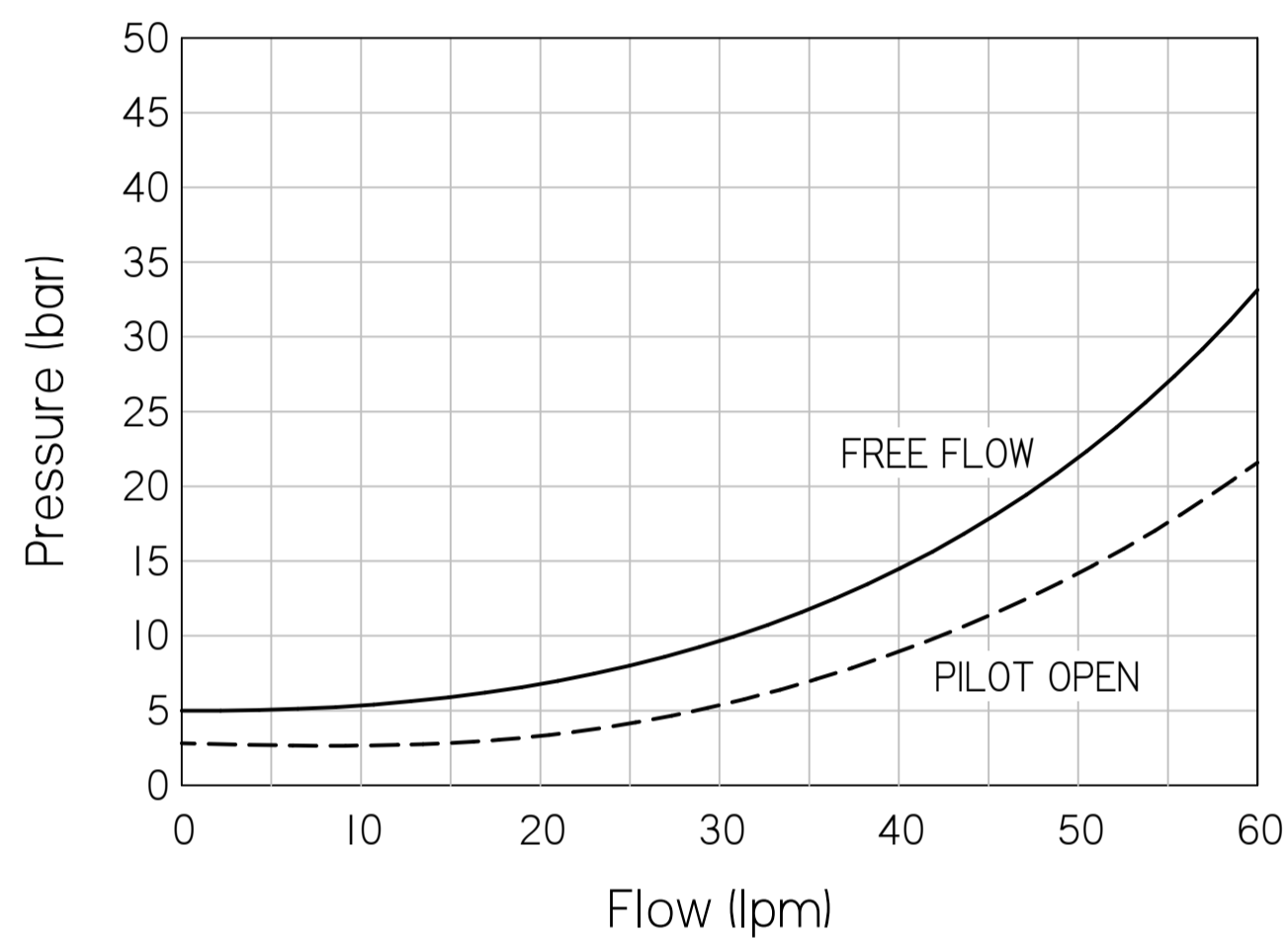
N: NITRILE

V: VITON

PILOT RATIO

3: RATIO OF 3:1

PRESSURE CHARACTERISTICS

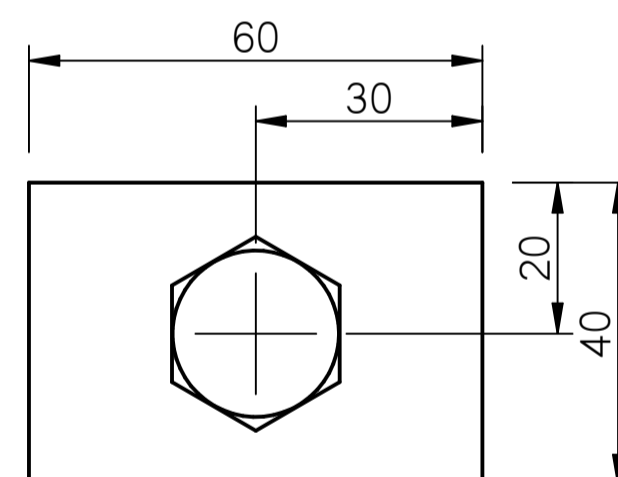
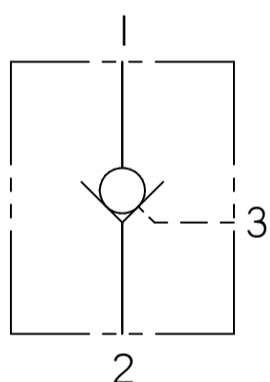


5

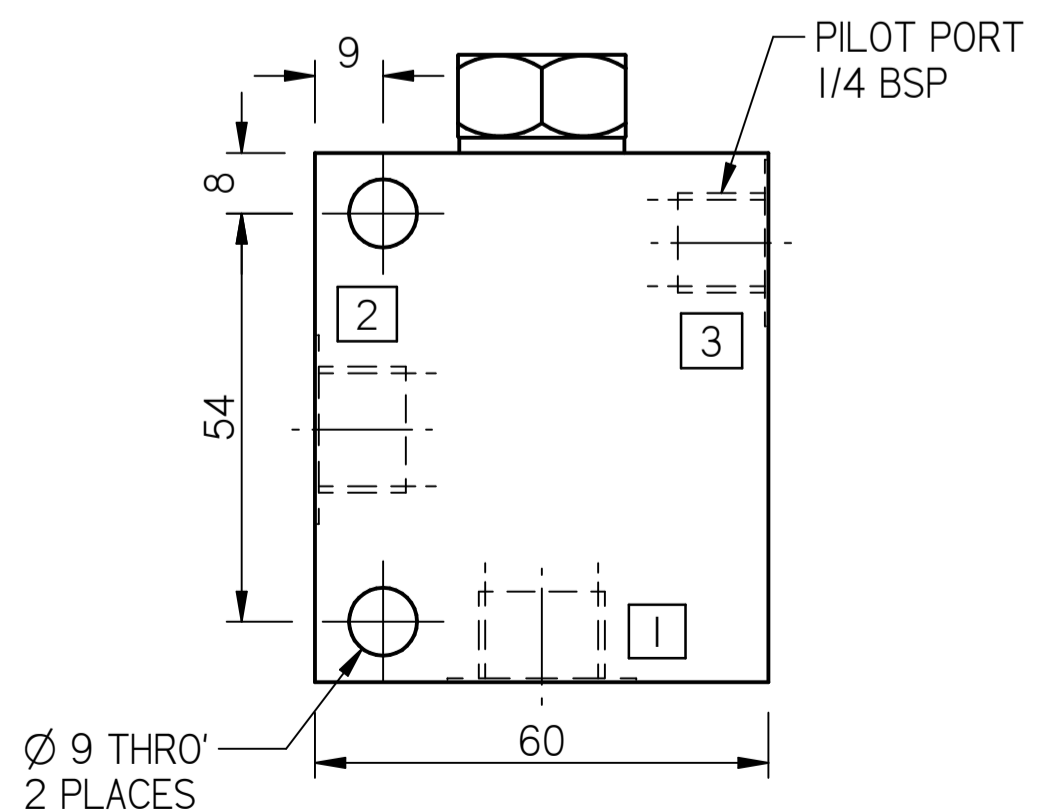
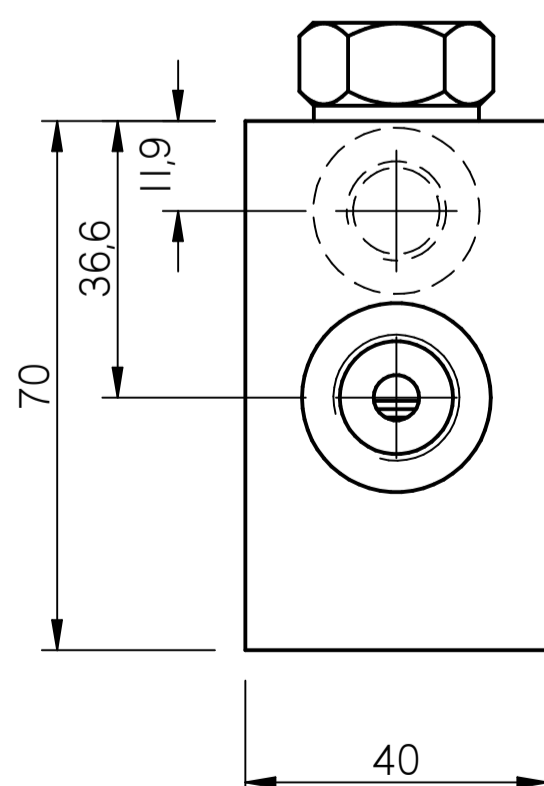
COMPLETE VALVE

3/8" BSP PORTS

BASIC CODE: CKS 3W



**SUGGESTED BODY
NOT IN CURRENT PRODUCT RANGE**



Where measurements are critical request certified drawings. We reserve the right to change specifications without notice.