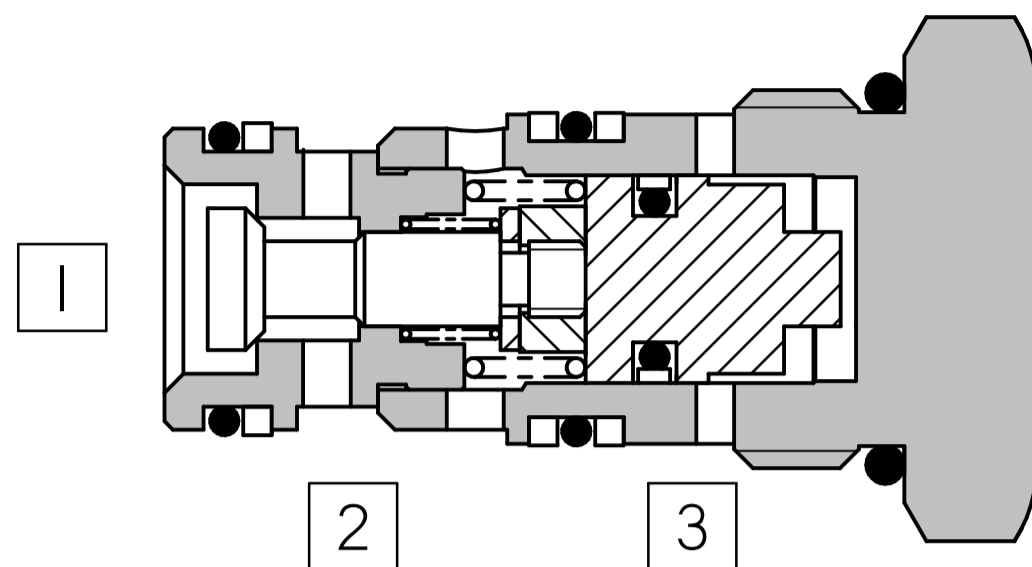
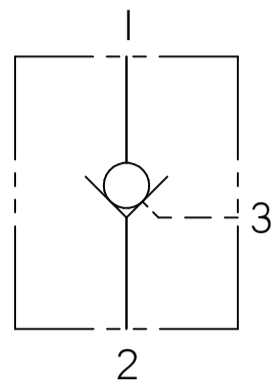
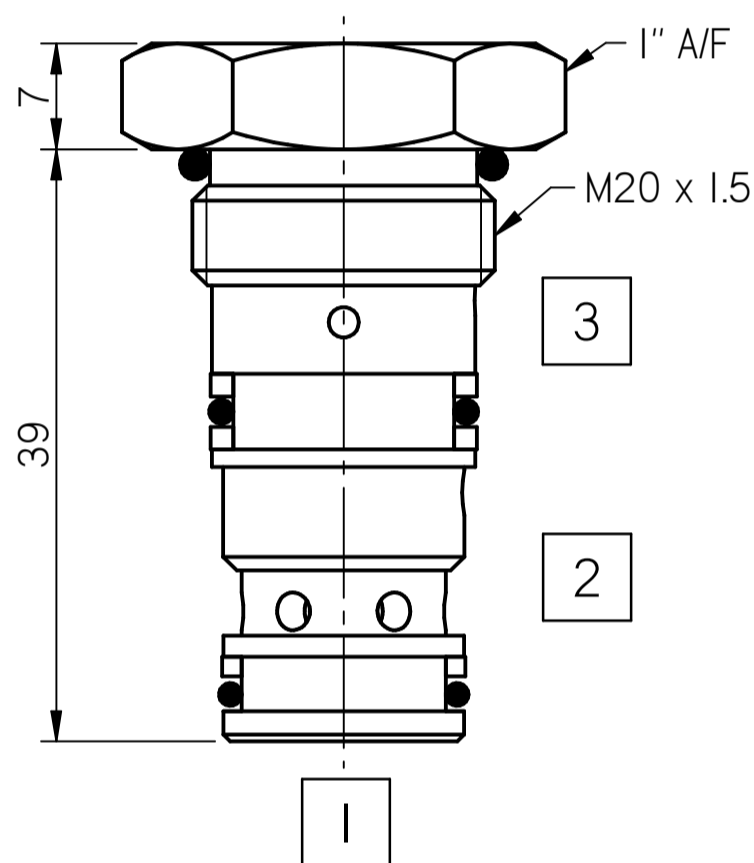


### FLUID POWER SYMBOL



5



### Application

Pilot check valves allow flow to pass in one direction, with a low pressure drop, then prevent reverse flow until pilot pressure is applied. There are many applications for this valve type, the most common being to lock and hold a cylinder, or another hydraulic actuator, in position. The CK35 is a small cartridge valve and is ideally suited for fitting directly into a cylinder, giving economy of installation, direct control of cylinder movement and ease of servicing.

### Operation

Pressure on the valve port causes the poppet to lift against the spring force,

allowing the flow to the cylinder port. Reverse flow is prevented by the poppet reseating. Pressure applied to the pilot port will overcome the cylinder port pressure and lift the poppet from its seat, allowing flow from the cylinder to valve port.

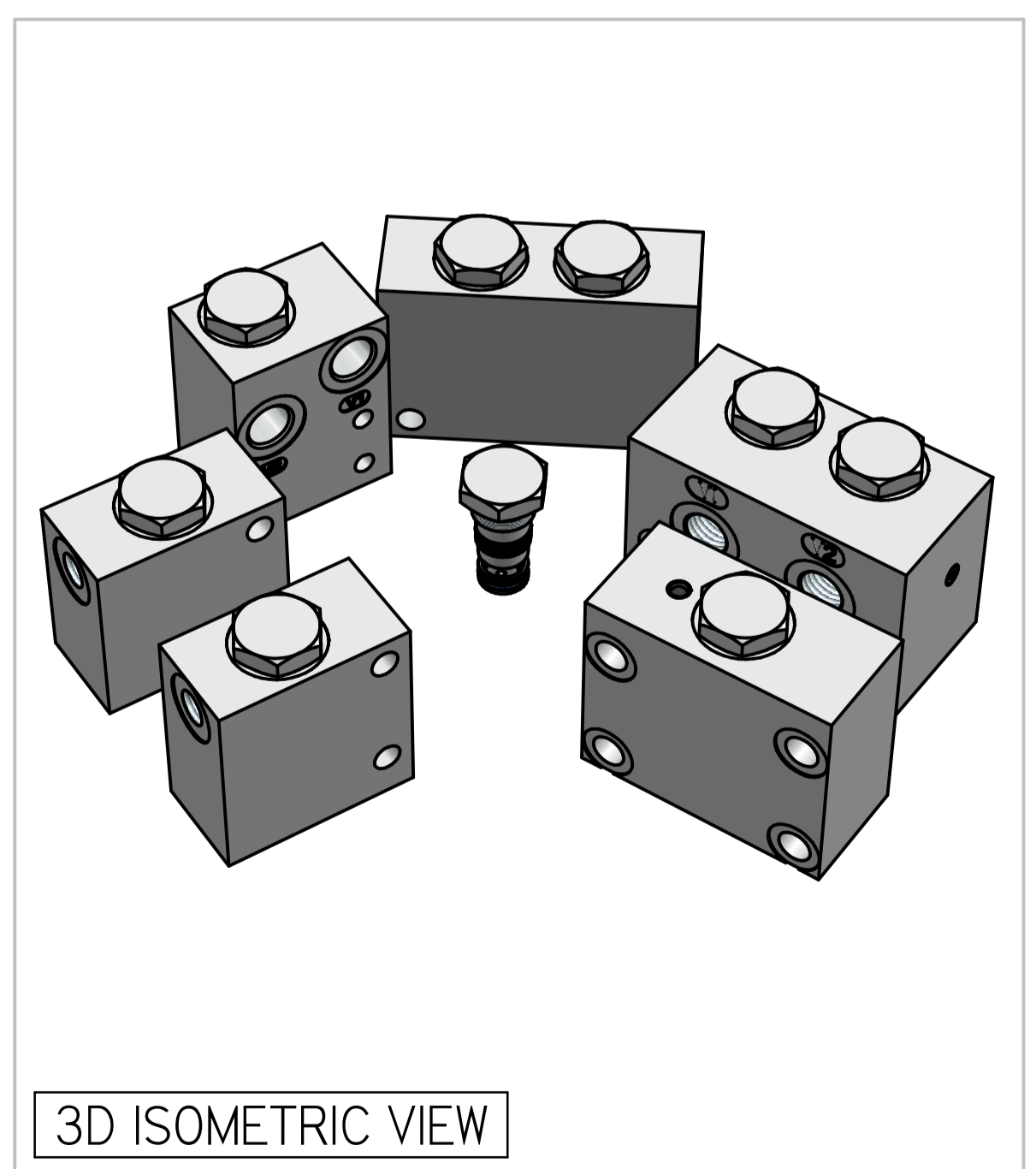
### Features

Hardened and ground poppet gives excellent flow capability for valve size, positive sealing and long working life. Cartridge construction allows installation in actuators, manifold blocks and hydraulic Integrated Circuits. The valve fits the same cavity as the OSI35 overcenter valve. Seal on piston prevents leakage between Port 2 and Port 3.

### Specifications

Figures based on: Oil Temp = 40°C Viscosity = 40 cSt

Max Flow	40 lpm
Max Pressure	350 bar
Pilot Ratio	3:1
Cartridge Material	Working parts : Hardened, ground steel External surfaces : Zinc plated
Weight (Cartridge only)	CK35: 0.080 kg
Cavity Number	TH6610 (Refer Cavities Section)
Manifold Material	Aluminium (upto 250 bar) Add Suffix '729' for SG Iron (350 bar)
Torque into Cavity	45 Nm
Mounting	Line
Seal Kit Number	SKCK35 (Nitrile) SKCK35V (Viton®)
Filtration Level	BS5540/4 Class I8/I3 (25µ nominal)
Operating Temp	-20°C to +90°C (Standard Seals)
Leakage	Less than 0.3 millilitres/min (5 dpm)
Viscosity Range	5 to 500 cSt

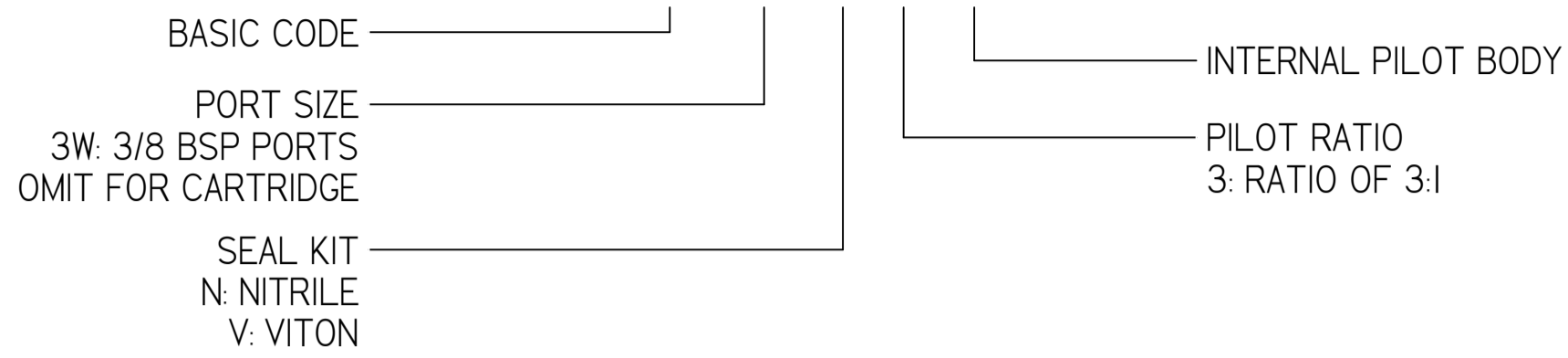


3D ISOMETRIC VIEW

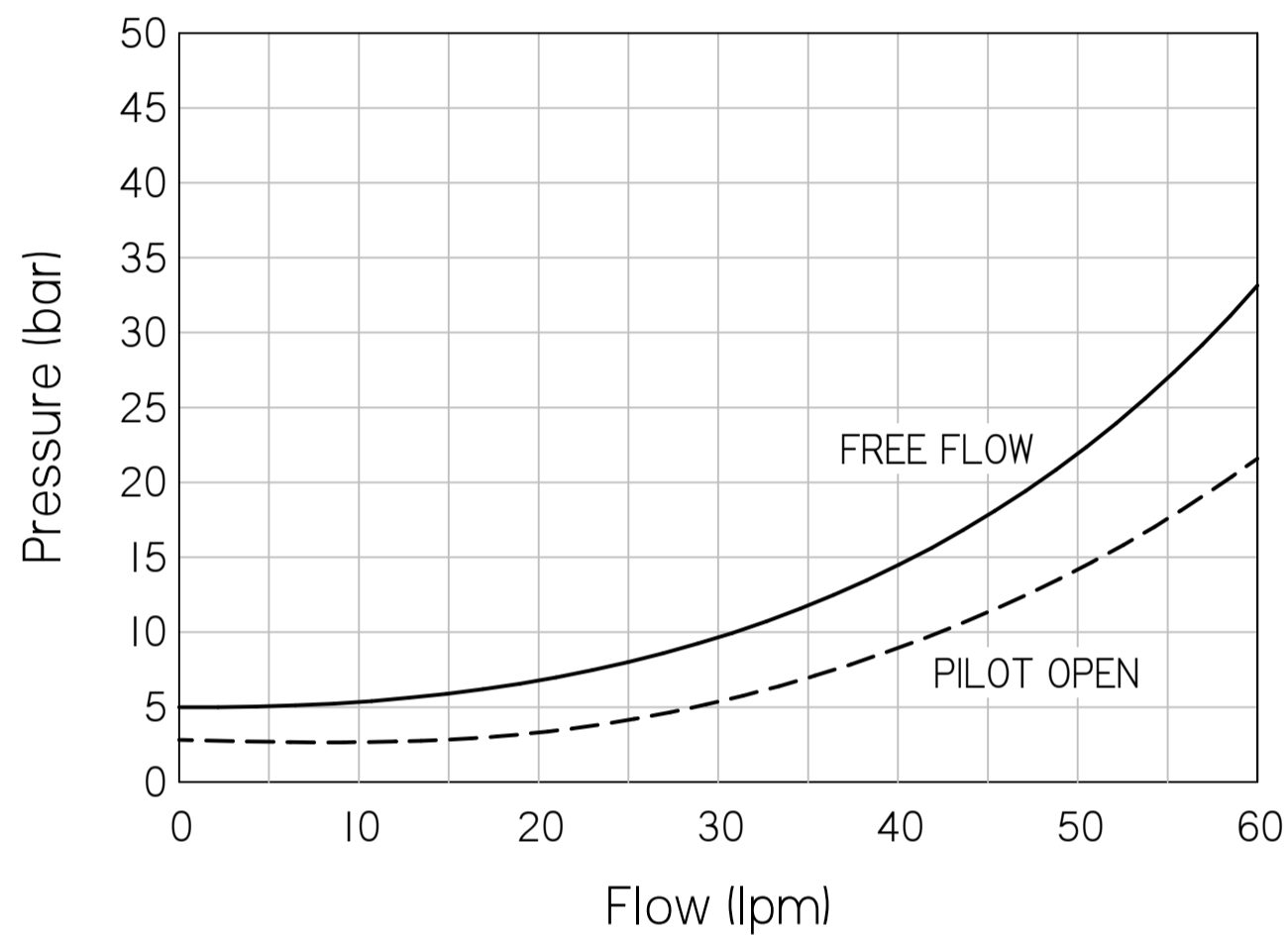
Where measurements are critical request certified drawings. We reserve the right to change specifications without notice.

**TO ORDER**

**CK35 3W N 3 INI**



**PRESSURE CHARACTERISTICS**

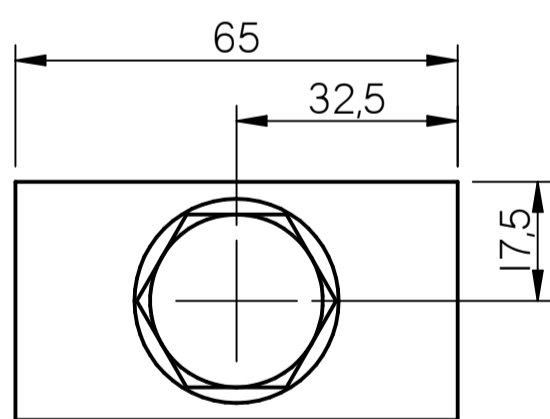
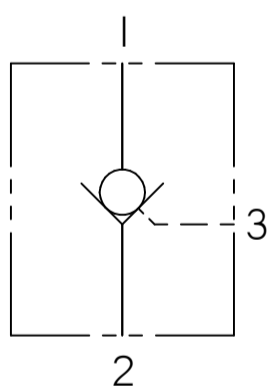


**COMPLETE VALVE** 3/8" BSP PORTS

BASIC CODE: CK35 3W

ONLY Body Part Numbers (BSP)

Aluminium	SG Iron
3/8" Z10386	3/8" Z10386S

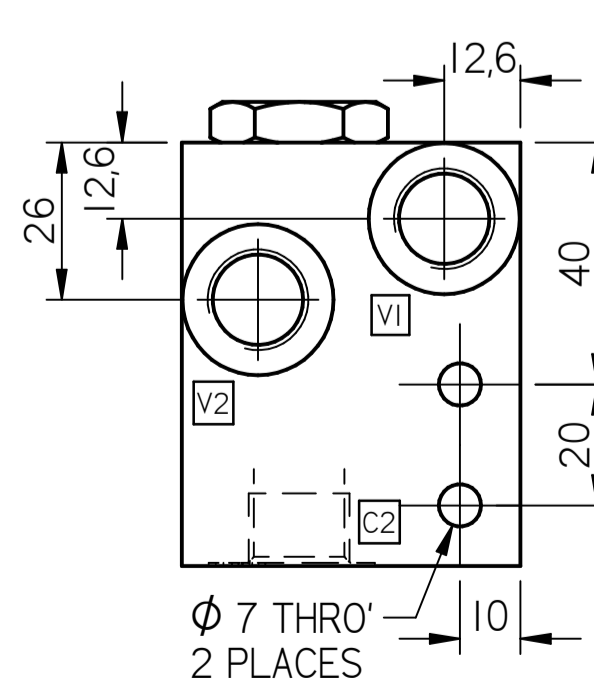
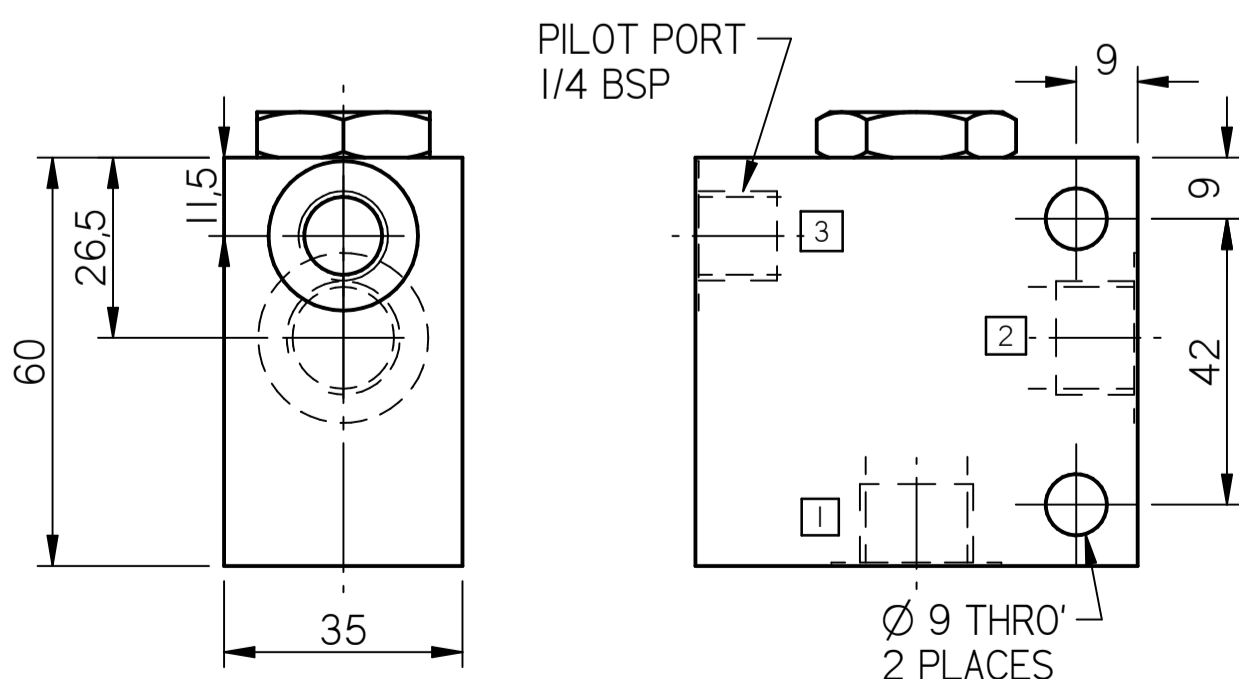
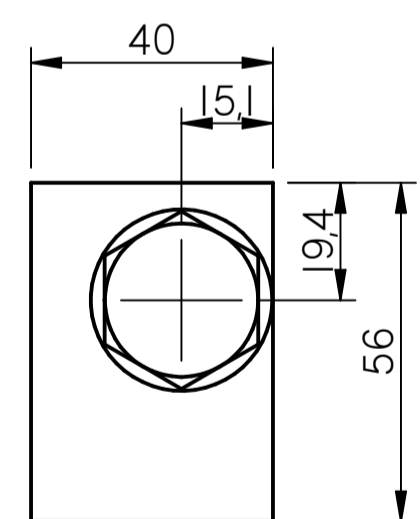
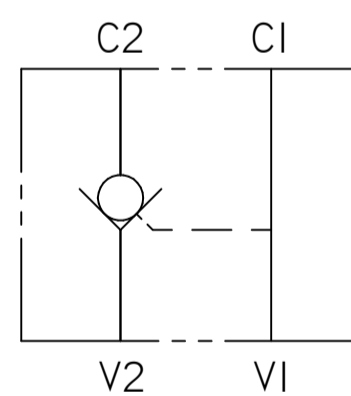


**COMPLETE VALVE** 3/8" BSP PORTS

BASIC CODE: CK35 3W INI (INTERNAL PILOT)

ONLY Body Part Numbers (BSP)

Aluminium	SG Iron
3/8" Z10331	3/8" Z10331S



Where measurements are critical request certified drawings. We reserve the right to change specifications without notice.

**TO ORDER**

**CK2 35 3W N 3**

BASIC CODE  
 CK2 35: DUAL PILOT CHECK VALVE  
 CKG35: SUBPLATE PILOT CHECK VALVE

PORT SIZE  
 3W: 3/8 BSP PORTS  
 OMIT FOR SUBPLATE

PILOT RATIO  
 3: RATIO OF 3:1

SEAL KIT  
 N: NITRILE  
 V: VITON

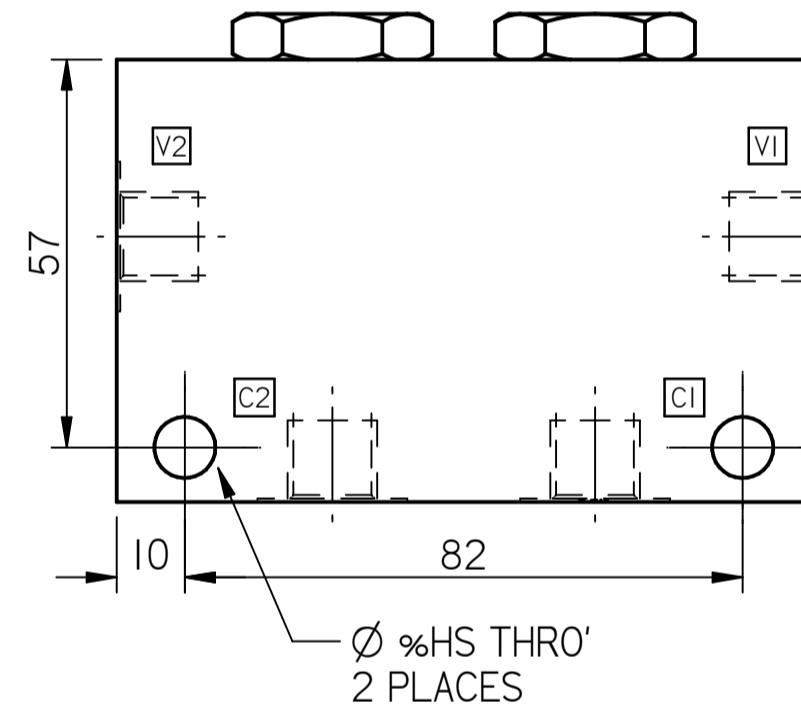
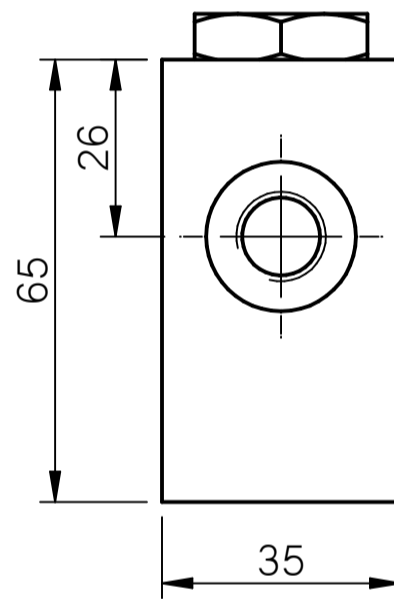
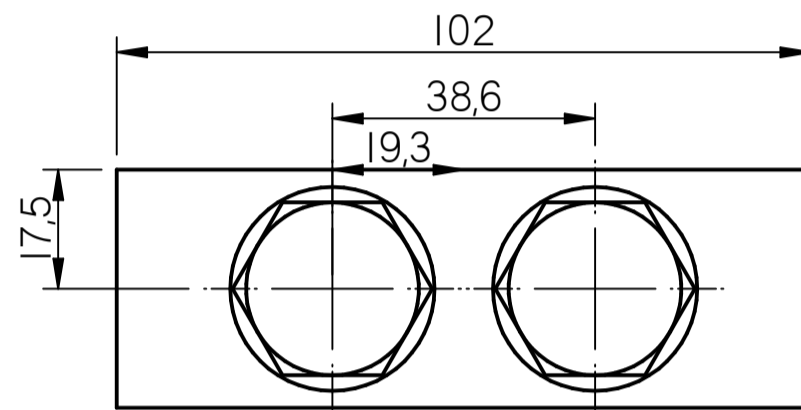
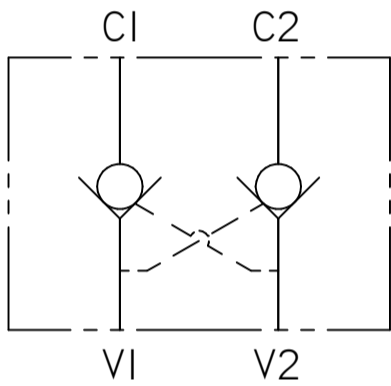
5

**COMPLETE VALVE** 3/8" BSP PORTS

BASIC CODE: CK2 35 3W (INTERNAL CROSS PILOT)

ONLY Body Part Numbers (BSP)

Aluminium	SG Iron
3/8" Z10045	3/8" Z10045S

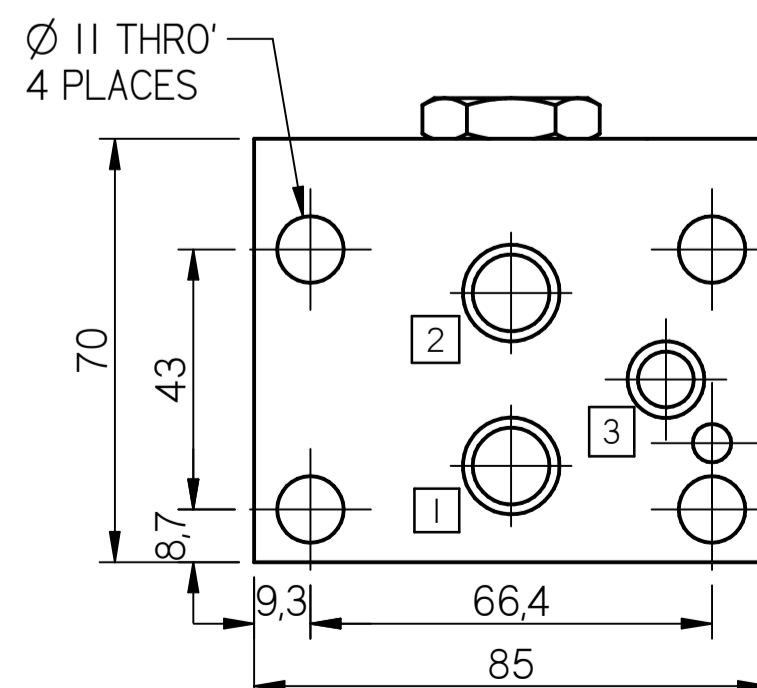
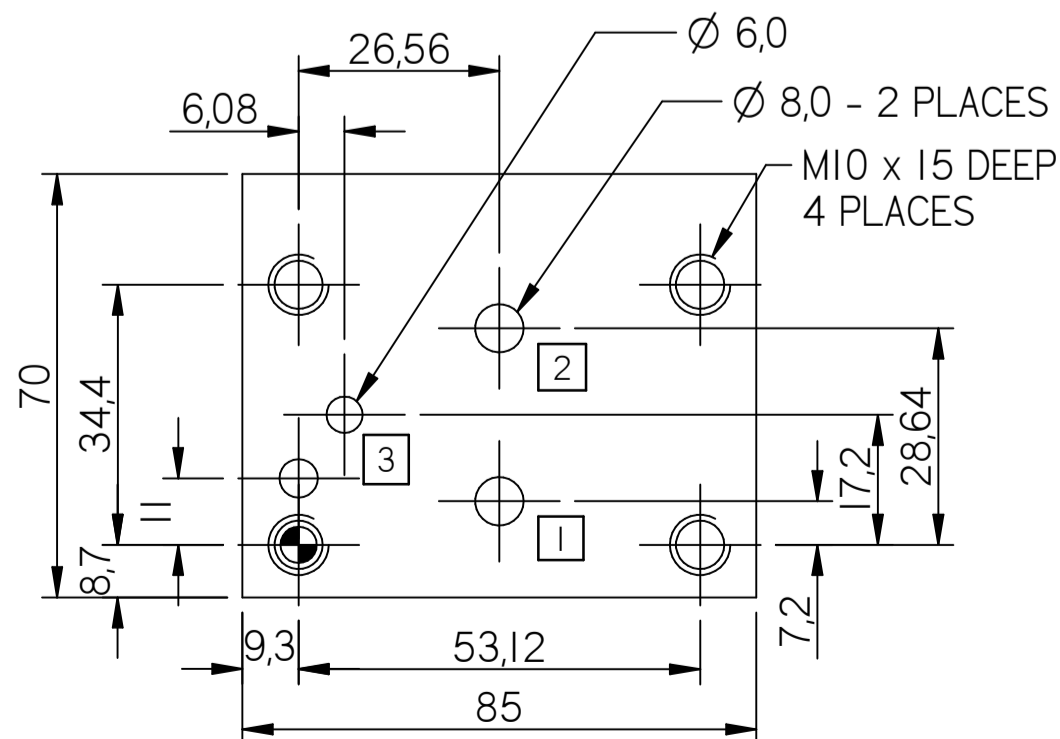
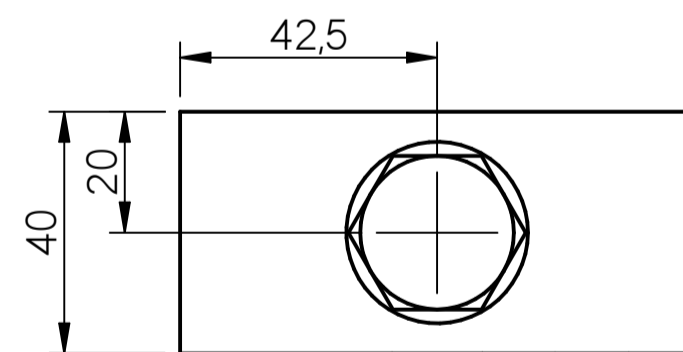
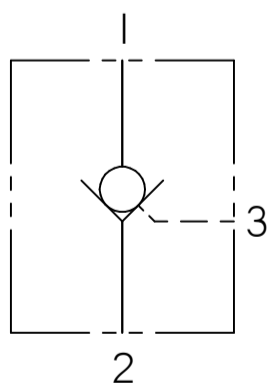


**COMPLETE VALVE** SUBPLATE MOUNTED

BASIC CODE: CKG35

ONLY Body Part Numbers

Aluminium	SG Iron
-	Subplate Z10380



Where measurements are critical request certified drawings. We reserve the right to change specifications without notice.

**TO ORDER**

**CKG235 3W N 3**

BASIC CODE  
CKG2 35: SUBPLATE DUAL PILOT CHECK VALVE

PORT SIZE  
3W: 3/8 BSP PORTS  
OMIT FOR SUBPLATE

PILOT RATIO  
3: RATIO OF 3:1

SEAL KIT  
N: NITRILE  
V: VITON

**COMPLETE VALVE**

3/8" BSP PORTS

BASIC CODE: CKG2 35

ONLY Body Part Numbers (BSP)

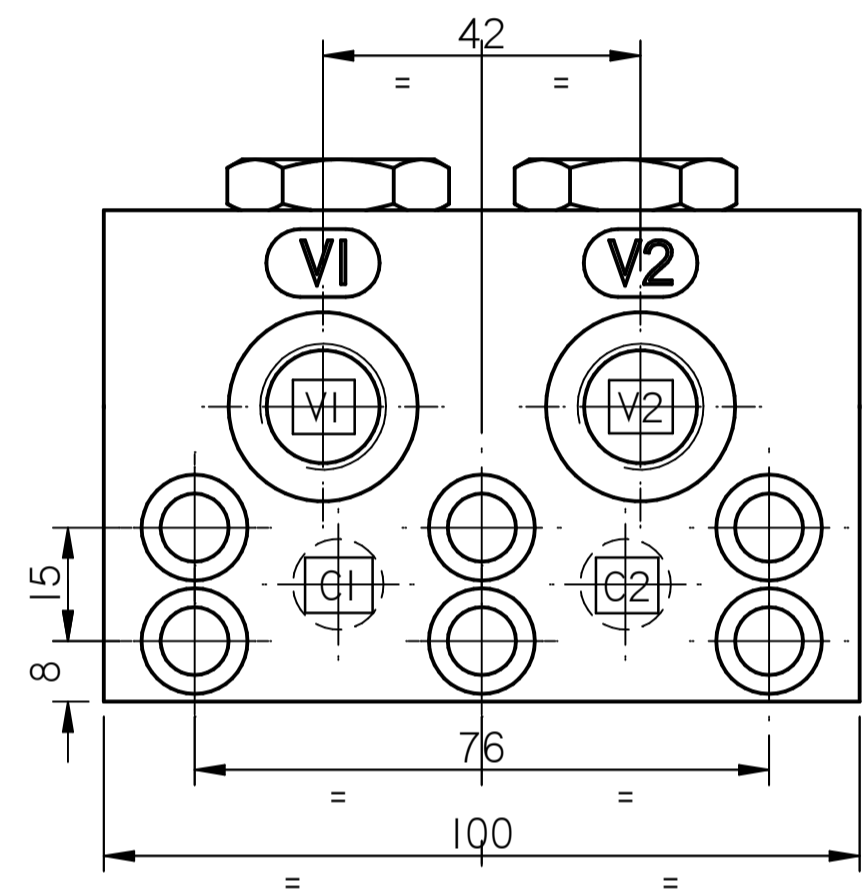
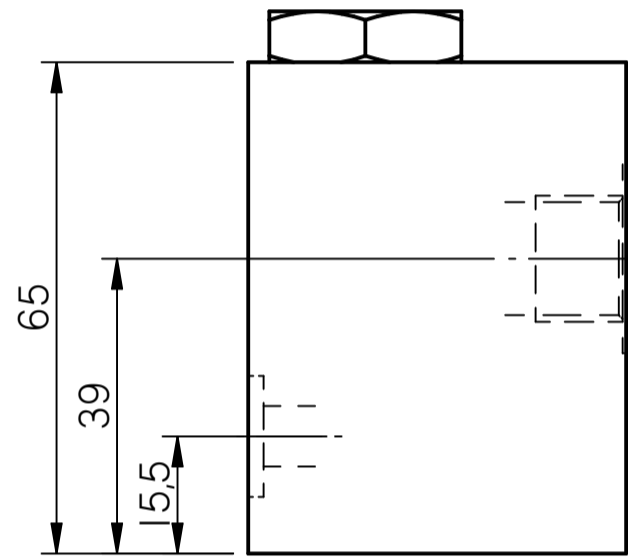
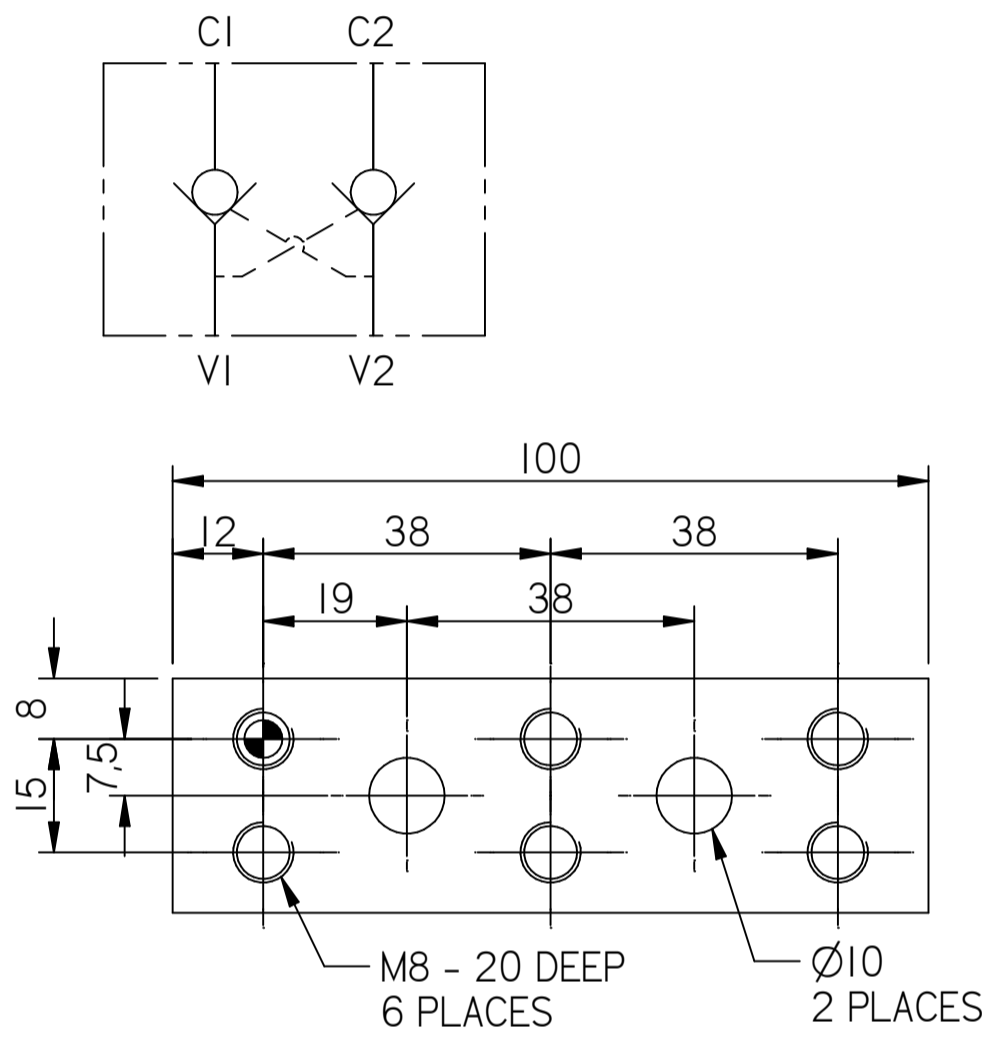
Aluminium

SG Iron

- -

3/8"

XPI37AI



Where measurements are critical request certified drawings. We reserve the right to change specifications without notice.