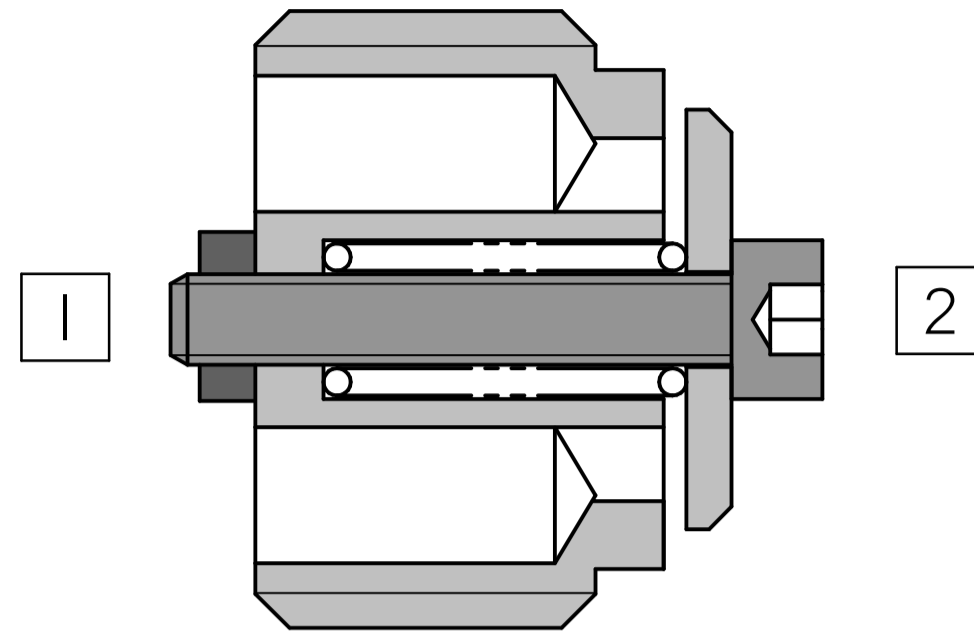
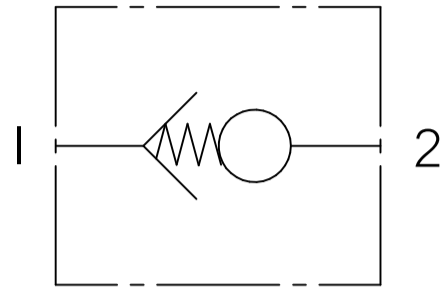


### FLUID POWER SYMBOL



5

### Application

Hose Burst Valves or Velocity Fuses are used to prevent the uncontrolled descent of a load in the event of a hose failure. They should be screwed directly into the lifting device (normally a cylinder), or into an in-line manifold that should be mounted as close as possible to the lifting device. A shut off valve should be fitted between the hose burst valve and the cylinder to lower it in case of hose burst.

### Operation

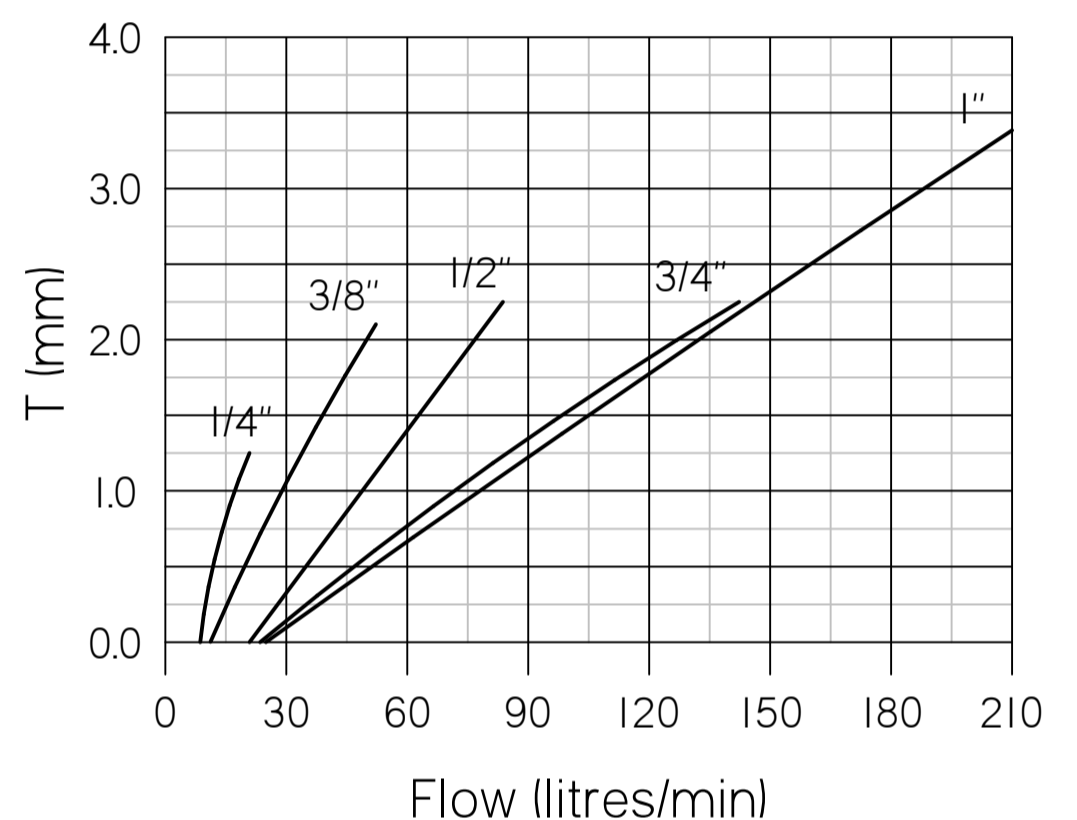
The valve disk is held apart from the body with a spring fitted over the central stem of the valve. Apart

from a small pressure drop, fluid can flow freely in the direction from Port 1 to Port 2. When fluid is flowing in the reverse direction, from Port 2 to Port 1, if the flow rate exceeds the valve setting (see dimension 'T' and adjacent graph), the valve disk will snap shut and close the ports of the valve.

### Features

Line mounted bodies available for easy installation. Cartridge body available for mounting directly onto the cylinder. Extremely sensitive to flow fluctuations.

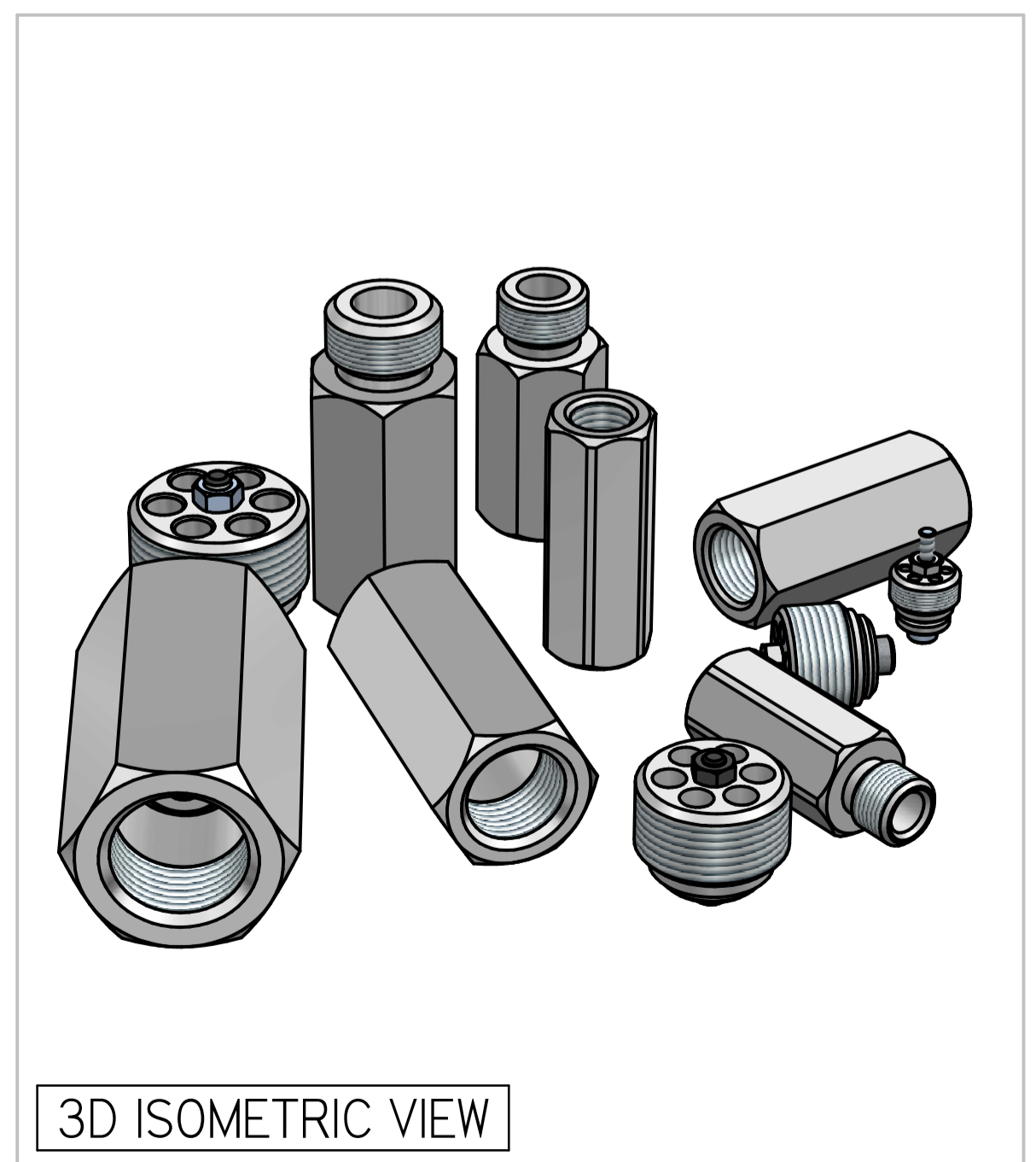
### PRESSURE CHARACTERISTICS



### Specifications

Figures based on: Oil Temp = 40°C Viscosity = 40 cSt

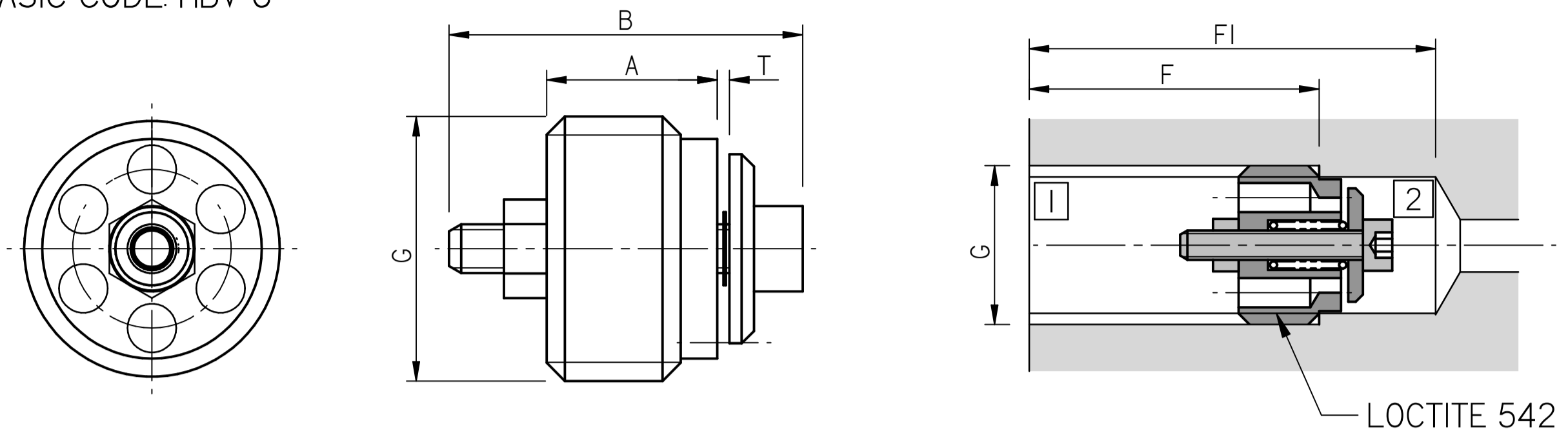
Rated Flow	25-200 lpm
Max Pressure	350 bar
Cartridge Material	Working parts: Hardened, ground steel External surfaces: Zinc plated
Body Material	Plated steel
Torque into Cavity	30 Nm (Use Loctite 542)
Weight	See table
Filtration	BS5540/4 Class 18/13 (25µ nominal)
Operating Temp	-20°C to +90°C (Standard Seals)
Leakage	Less than 0.3 millilitres/min (5 dpm)
Viscosity Range	5 to 500 cSt



Where measurements are critical request certified drawings. We reserve the right to change specifications without notice.

**CARTRIDGE ONLY** VARIOUS BSP PORTS

BASIC CODE: HBV G\*\*\*



Ordering Code	Pressure	G	Flow	A	B	T	F	FI	Weight
HBV G1/4	350 bar	1/4" BSP	25lpm	8	23	0.5	23	35	10 gms
HBV G3/8	350 bar	3/8" BSP	50lpm	11	23	0.5	26	37	18 gms
HBV G1/2	350 bar	1/2" BSP	80lpm	13	29	0.7	30	45	32 gms
HBV G3/4	350 bar	3/4" BSP	150lpm	18	34	0.7	38	54	58 gms
HBV G1	300 bar	1" BSP	200lpm	21	40	0.8	40	66	105 gms

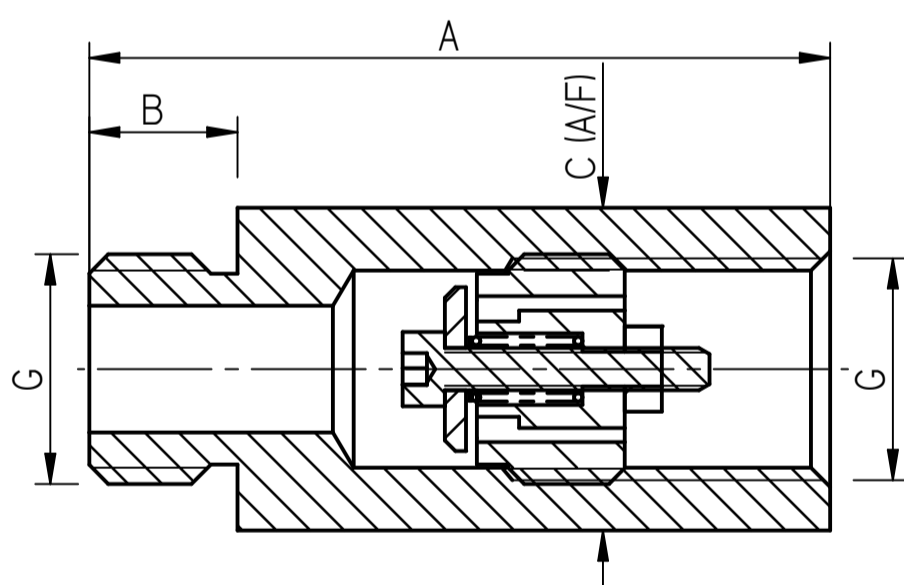
5

**COMPLETE VALVE** MALE-FEMALE BSP PORTS

BASIC CODE: HBV \*\* \*\*M

ONLY Body Part Numbers (BSP)

Steel		Steel	
1/4"	Z10194	3/4"	Z10284
3/8"	Z10195	1"	Z10259
1/2"	Z10196		



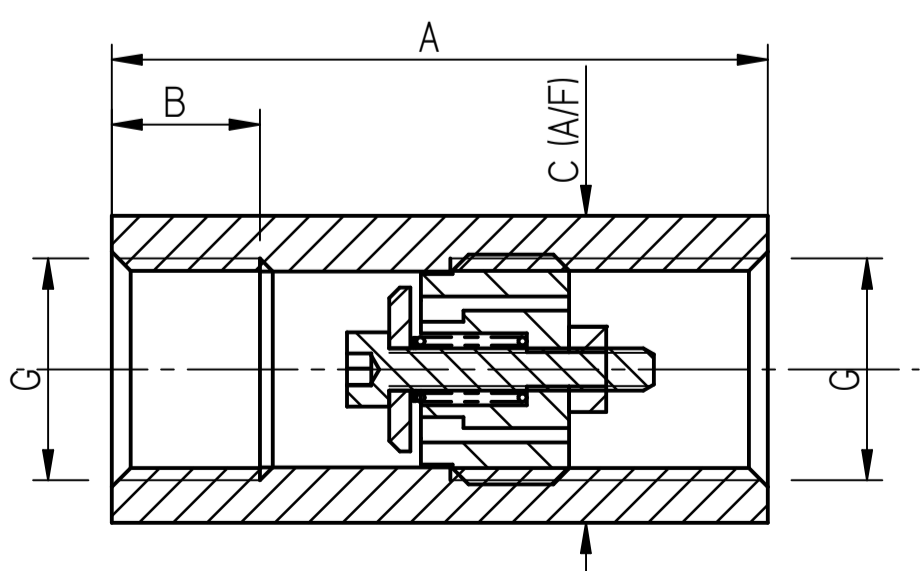
Ordering Code	Pressure	Flow	G	A	B	C	Weight
HBV 2W 2WM	350 bar	25lpm	1/4" BSP	50	12	19	80 gms
HBV 3W 3WM	350 bar	50lpm	3/8" BSP	50	12	22	105 gms
HBV 4W 4WM	350 bar	80lpm	1/2" BSP	62	14	27	195 gms
HBV 6W 6WM	350 bar	150lpm	3/4" BSP	78	16	36	420 gms
HBV 8W 8WM	300 bar	200lpm	1" BSP	92	20	46	810 gms

**COMPLETE VALVE** ONLY FEMALE BSP PORTS

BASIC CODE: HBV \*\*

ONLY Body Part Numbers (BSP)

Steel		Steel	
1/4"	Z10059	3/4"	
3/8"	Z10117	1"	Z10257
1/2"	Z10053		



Ordering Code	Pressure	Flow	G	A	B	C	Weight
HBV2W	350 bar	25lpm	1/4" BSP	50	12	19	90 gms
HBV3W	350 bar	50lpm	3/8" BSP	50	12	22	115 gms
HBV4W	350 bar	80lpm	1/2" BSP	62	14	27	200 gms
HBV6W	350 bar	150lpm	3/4" BSP	78	16	36	430 gms
HBV8W	300 bar	200lpm	1" BSP	92	20	46	830 gms

Where measurements are critical request certified drawings. We reserve the right to change specifications without notice.