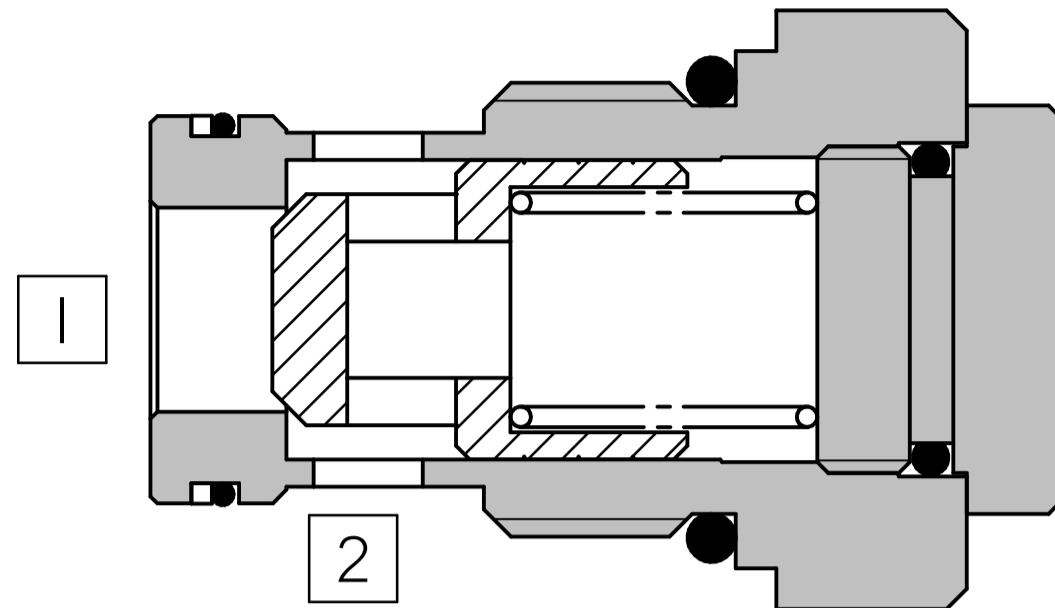
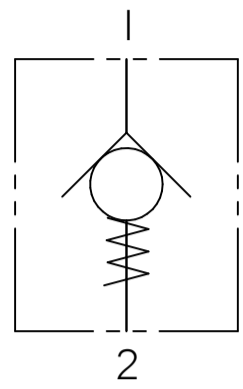
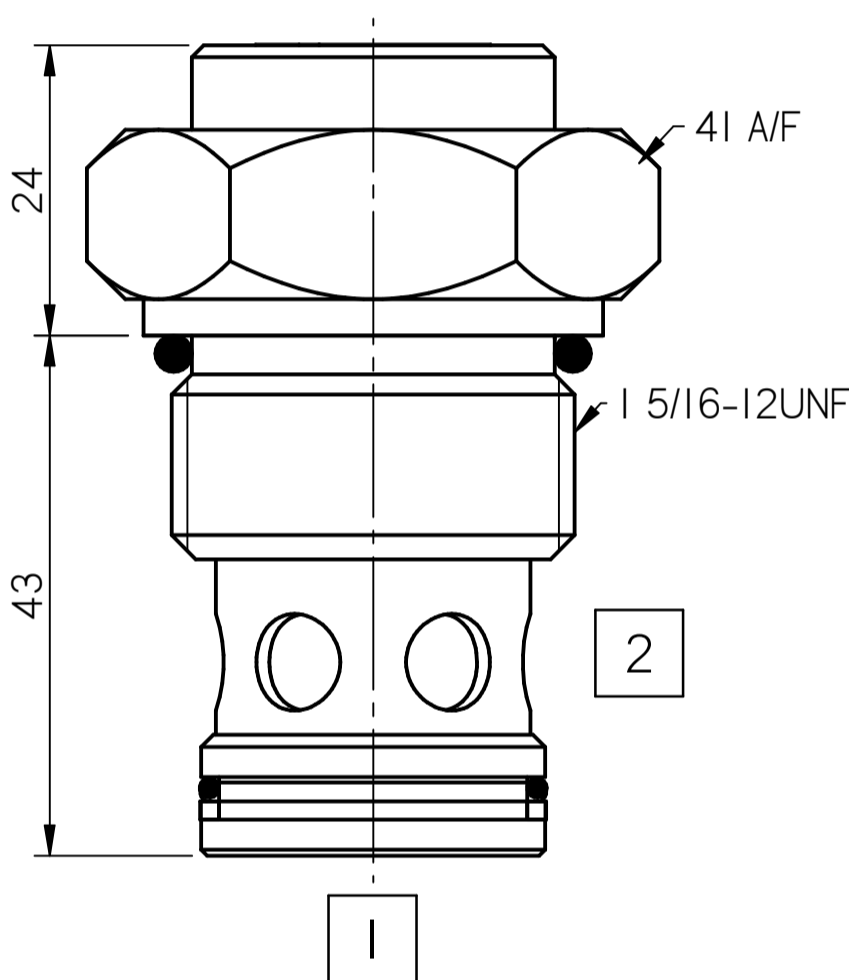


FLUID POWER SYMBOL



5



Application

These cartridge check valves allow unidirectional flow at a low pressure drop. They fit into simply machined cavities and are therefore perfect for installation into custom made hydraulic circuits, manifold blocks or other hydraulic equipment for load sense or low flow applications.

Features

Hardened and ground poppets and high quality balls along with machined and hardened seats give excellent flow reseal characteristics with zero leakage. Installation is quick and easy due to the simplicity of the cavities.

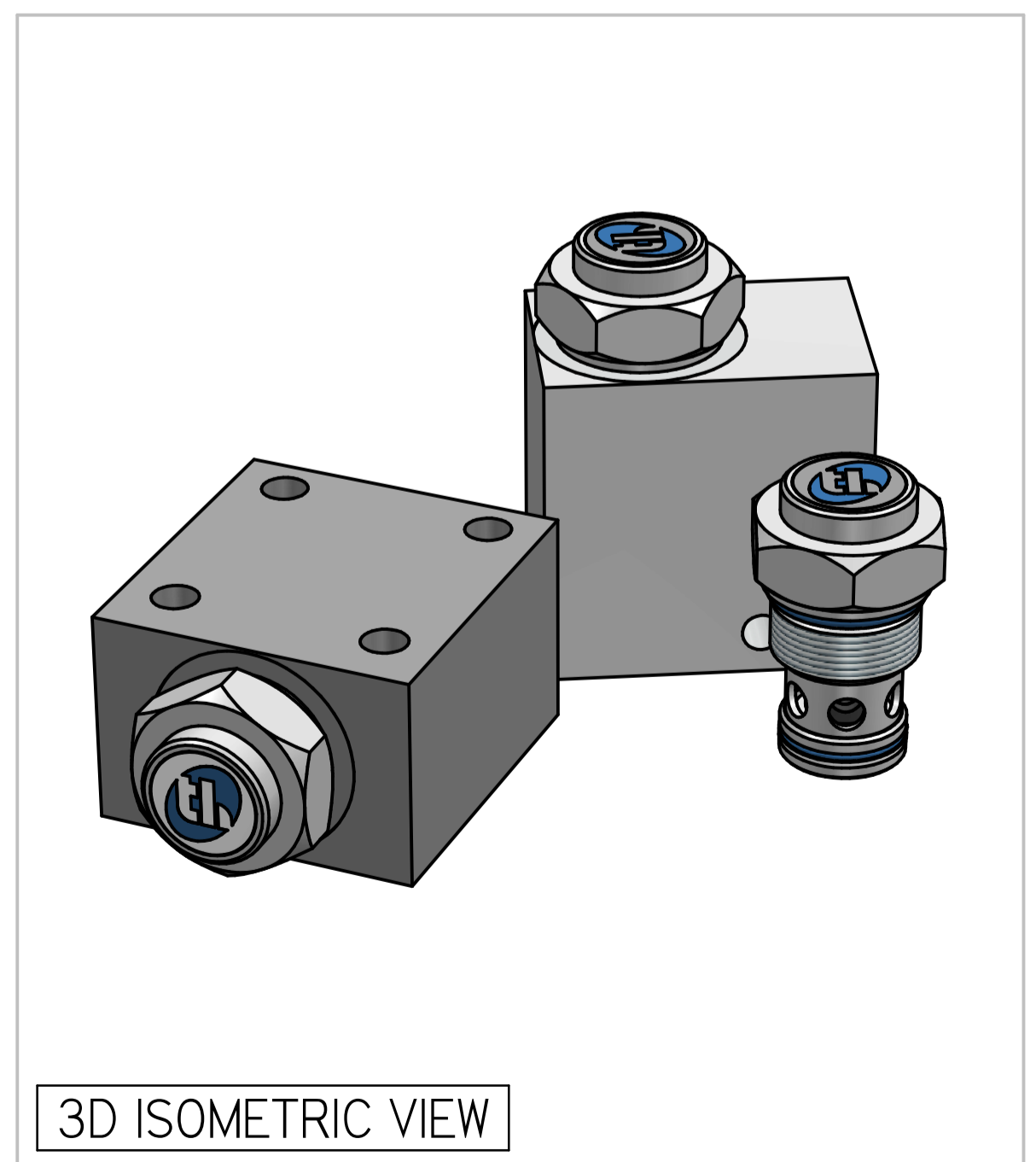
Operation

When the inlet pressure acts on the poppet via Port 1, the flow is allowed from Port 1 to Port 2 with cracking pressures as specified bar. Reverse flow is prevented by the reseating of the ball/poppet onto its seat.

Specifications

Figures based on: Oil Temp = 40°C Viscosity = 40 cSt

Max Flow	200 lpm
Max Pressure	350 bar
Cartridge Material	Working parts : Hardened, ground steel External surfaces : Zinc plated
Weight (Cartridge only)	CVI 16: 0.120 kg
Cavity Number	SAE16-2 (Refer Cavities Section)
Manifold Material	Aluminium (upto 250 bar) Add Suffix '729' for SG Iron (350 bar)
Torque into Cavity	100 Nm
Mounting	Line
Seal Kit Number	SKCV116 (Nitrile) SKCKV116 V (Viton®)
Filtration Level	BS5540/4 Class 18/13 (25µ nominal)
Operating Temp	-20°C to +90°C (Standard Seals)
Leakage	Less than 0.3 millilitres/min (5 dpm)
Viscosity Range	5 to 500 cSt

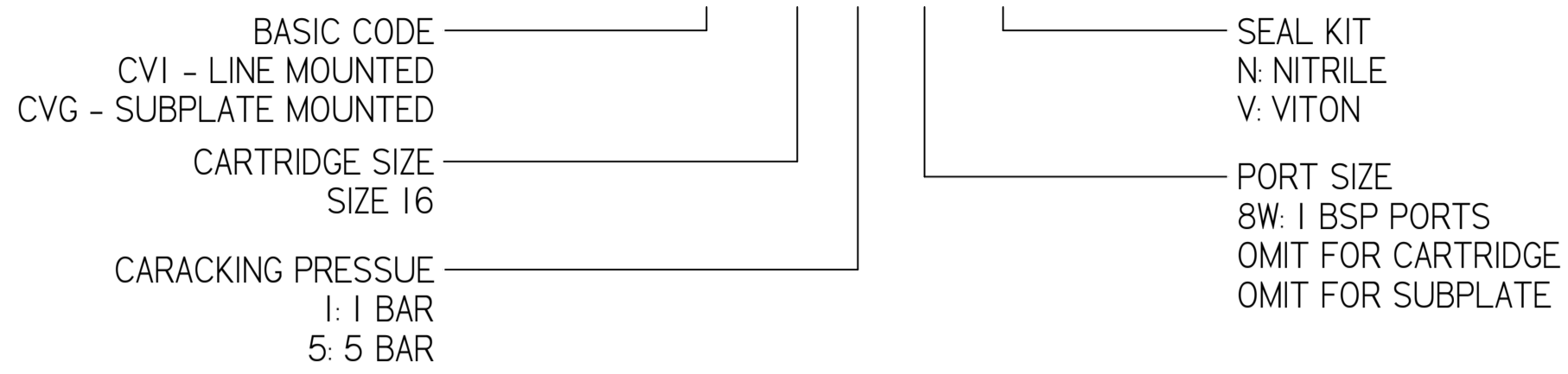


3D ISOMETRIC VIEW

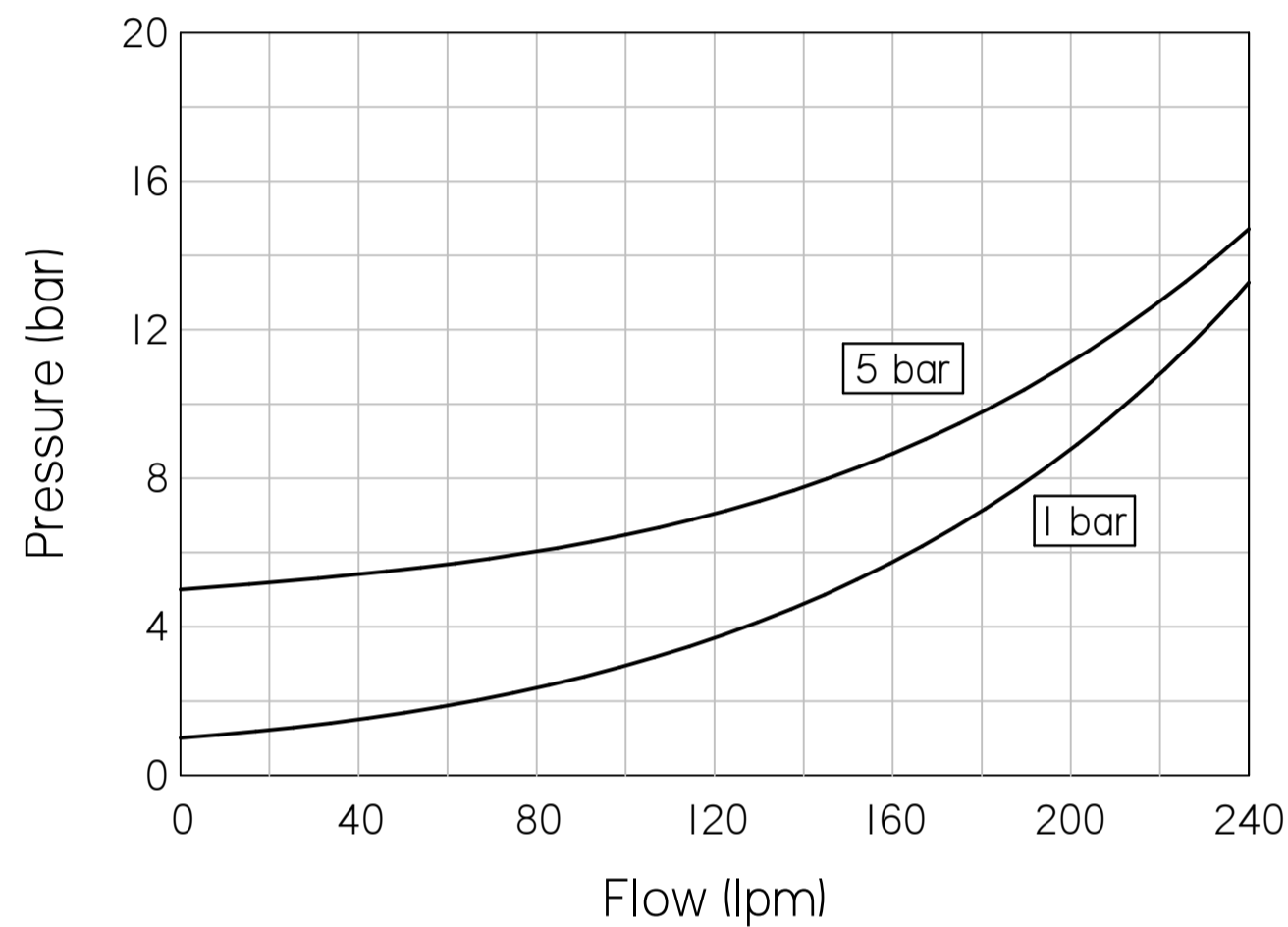
Where measurements are critical request certified drawings. We reserve the right to change specifications without notice.

TO ORDER

CVI 16 | 8W N



PRESSURE CHARACTERISTICS



COMPLETE VALVE 1" BSP PORTS

BASIC CODE: CVI 16 8W

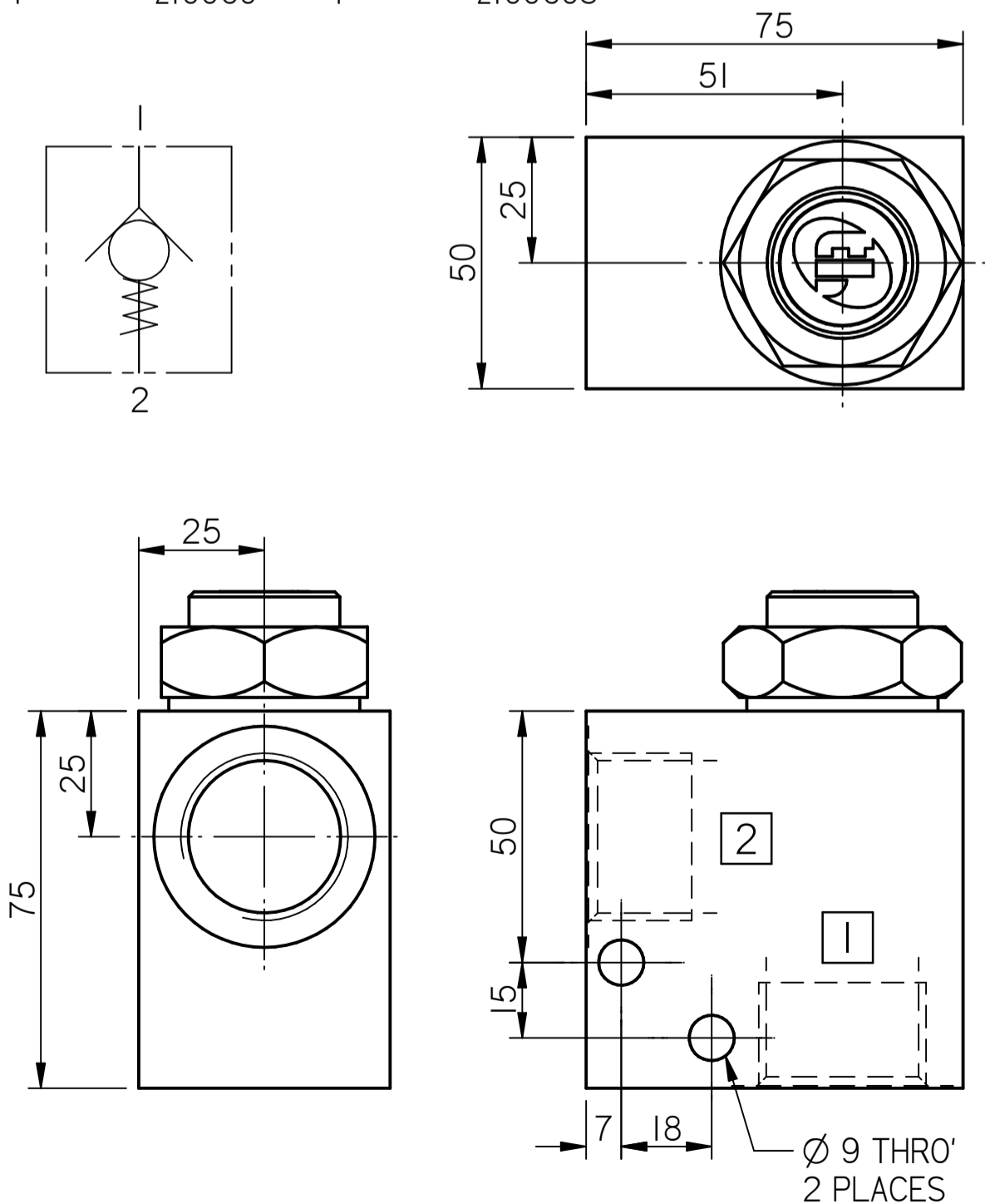
ONLY Body Part Numbers (BSP)

Aluminium

SG Iron

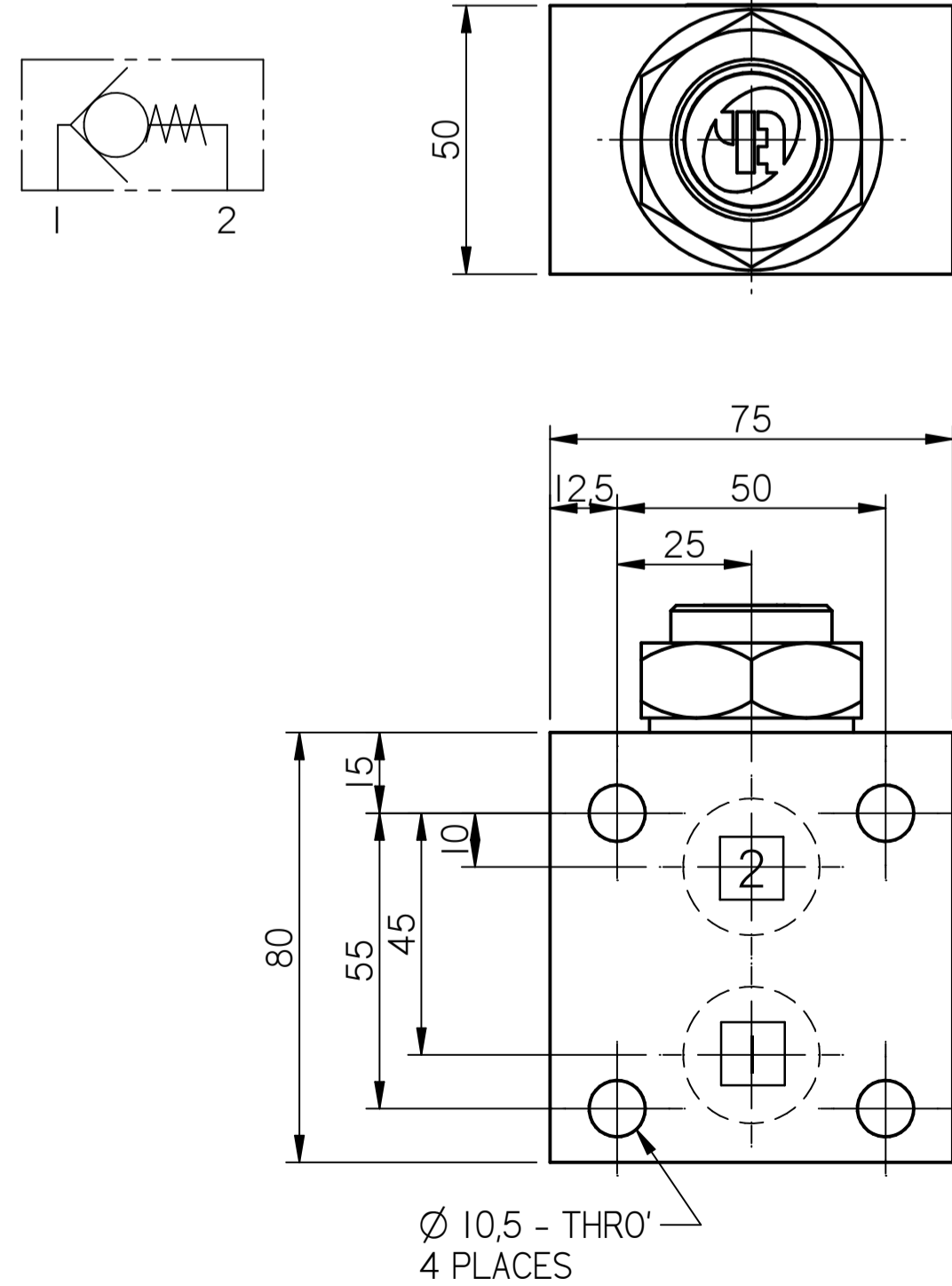
1" Z10060

1" Z10060S



COMPLETE VALVE NG20 SUBPLATE

BASIC CODE: CVG20



Where measurements are critical request certified drawings. We reserve the right to change specifications without notice.