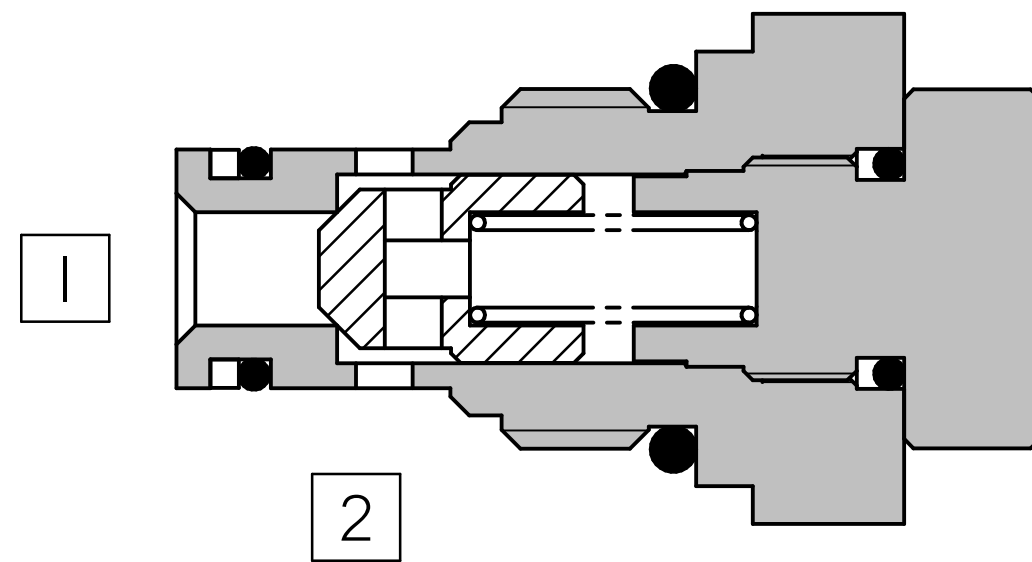
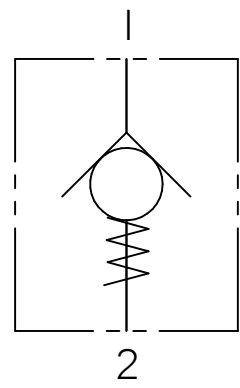


FLUID POWER SYMBOL



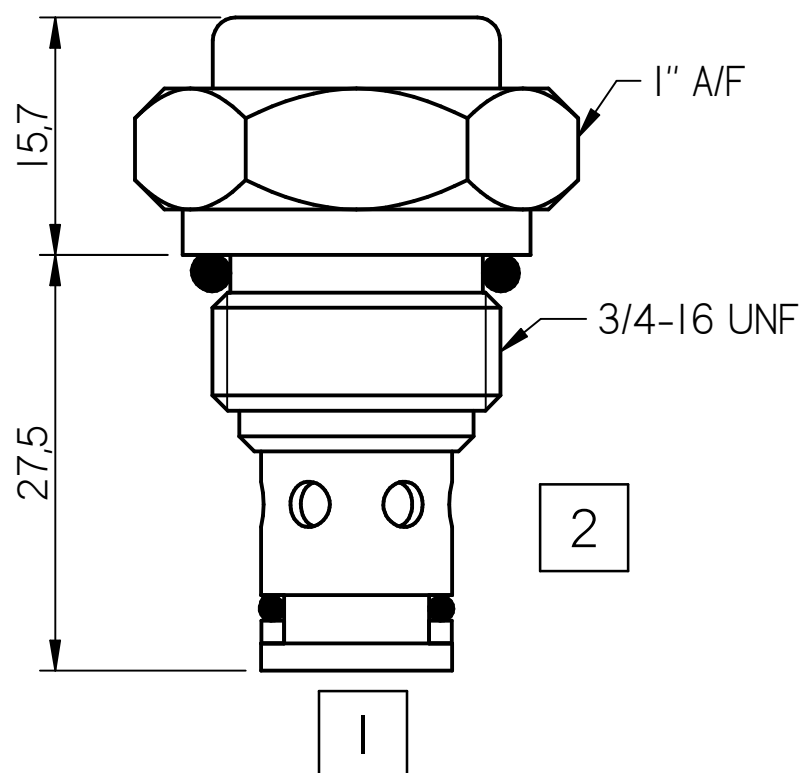
5

Application

These cartridge check valves allow unidirectional flow at a low pressure drop. They fit into machined cavities and are therefore perfect for installation into custom made hydraulic circuits, manifold blocks or other hydraulic equipment for load sense or low flow applications.

Features

Hardened and ground poppets and high quality balls along with machined and hardened seats give excellent flow reset characteristics with zero leakage. Installation is quick and easy due to the simplicity of the cavities.



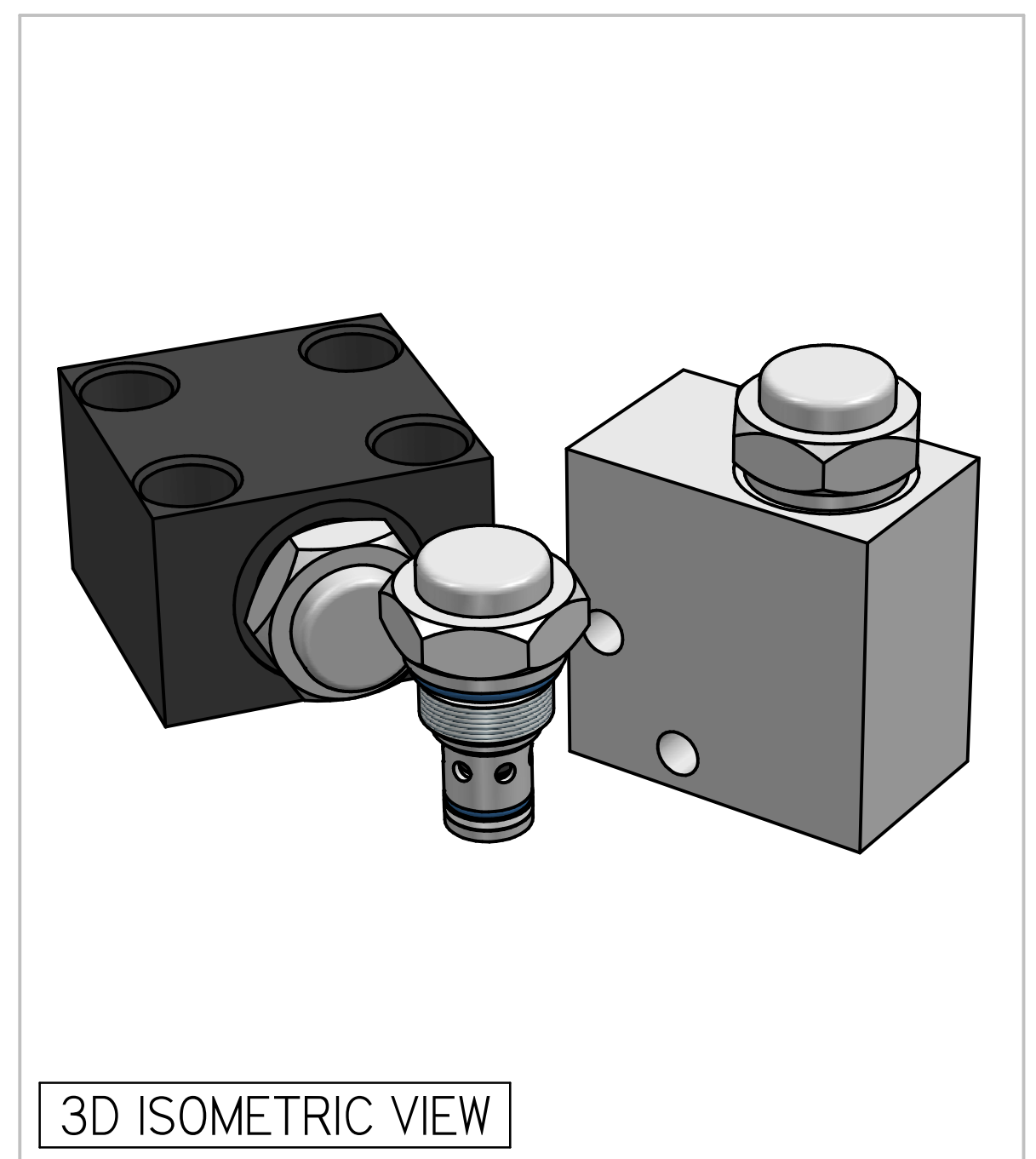
Operation

When the inlet pressure acts on the poppet via Port 1, the flow is allowed from Port 1 to Port 2 with cracking pressures as specified bar. Reverse flow is prevented by the reseating of the poppet onto its seat.

Specifications

Figures based on: Oil Temp = 40°C Viscosity = 40 cSt

Max Flow	30 lpm
Max Pressure	350 bar
Cartridge Material	Working parts : Hardened, ground steel External surfaces : Zinc plated
Weight (Cartridge only)	CVI 08: 0.050 kg
Cavity Number	SAE08-2 (Refer Cavities Section)
Manifold Material	Aluminium (upto 250 bar) Add Suffix '729' for SG Iron (350 bar)
Torque into Cavity	45 Nm
Mounting	Line
Seal Kit Number	SKCVI08 (Nitrile) SKCKVI08 V (Viton®)
Filtration Level	BS5540/4 Class I8/I3 (25µ nominal)
Operating Temp	-20°C to +90°C (Standard Seals)
Leakage	Less than 0.3 millilitres/min (5 dpm)
Viscosity Range	5 to 500 cSt



3D ISOMETRIC VIEW

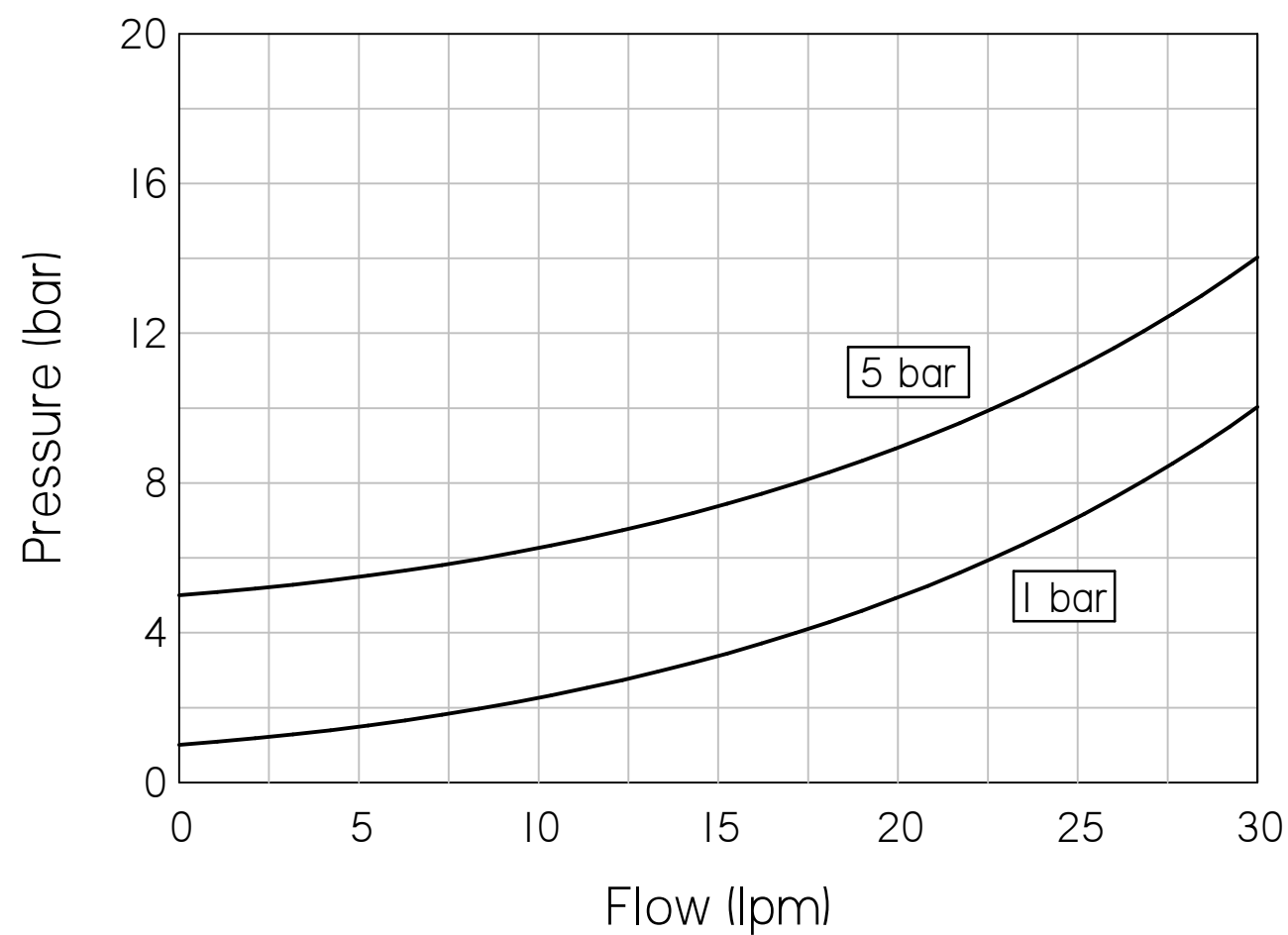
Where measurements are critical request certified drawings. We reserve the right to change specifications without notice.

TO ORDER

CVI 08 I 3W N

BASIC CODE	CVI - LINE MOUNTED CVG - SUBPLATE MOUNTED	SEAL KIT N: NITRILE V: VITON
CARTRIDGE SIZE	08 - LINE MOUNTING SAE08 06- SUBPLATE MOUNTING NG6	PORT SIZE 2W: 1/4 BSP PORTS 3W: 3/8 BSP PORTS OMIT FOR CARTRIDGE OMIT FOR SUBPLATE
CRACKING PRESSURE	I: 1 BAR 5: 5 BAR	

PRESSURE CHARACTERISTICS

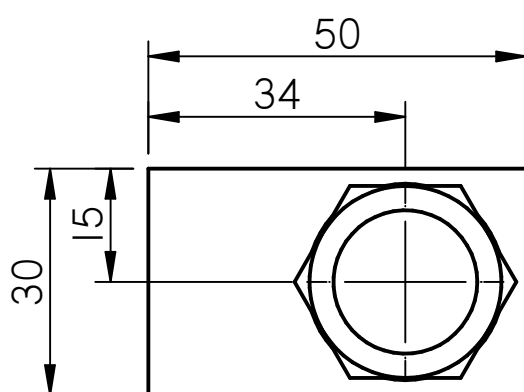
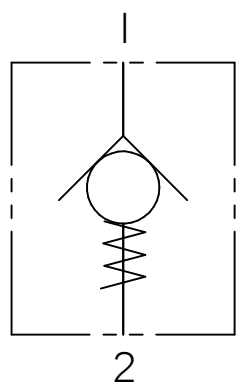


COMPLETE VALVE 1/4" 3/8" BSP PORTS

BASIC CODE: CVI 08 2W/3W

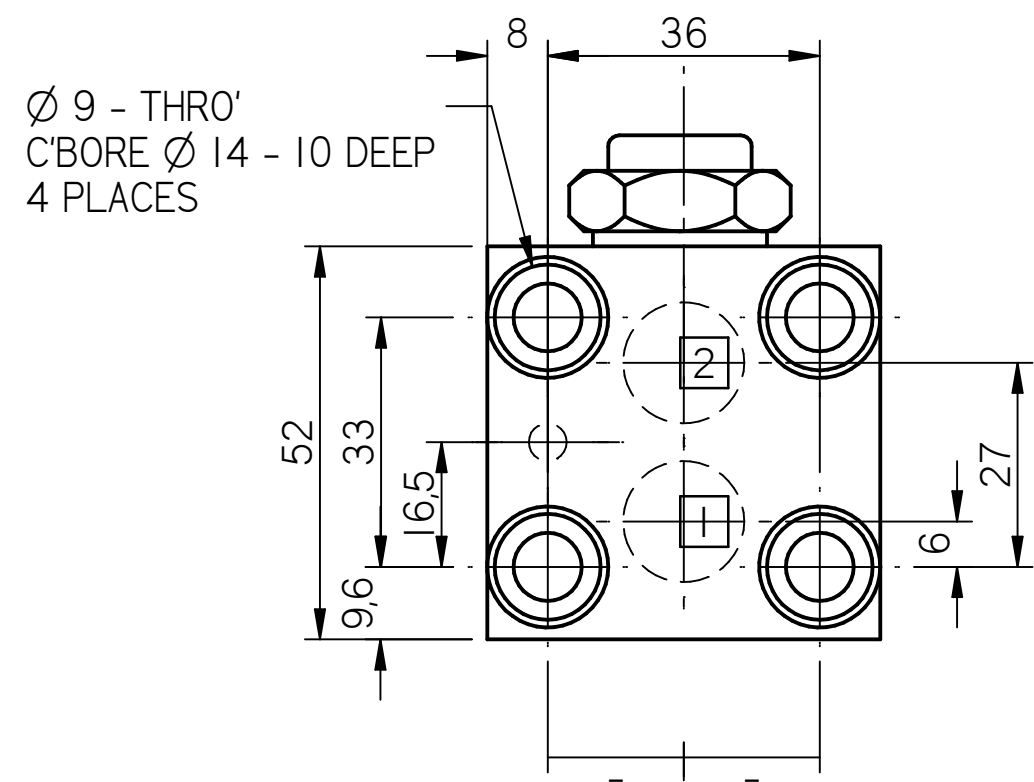
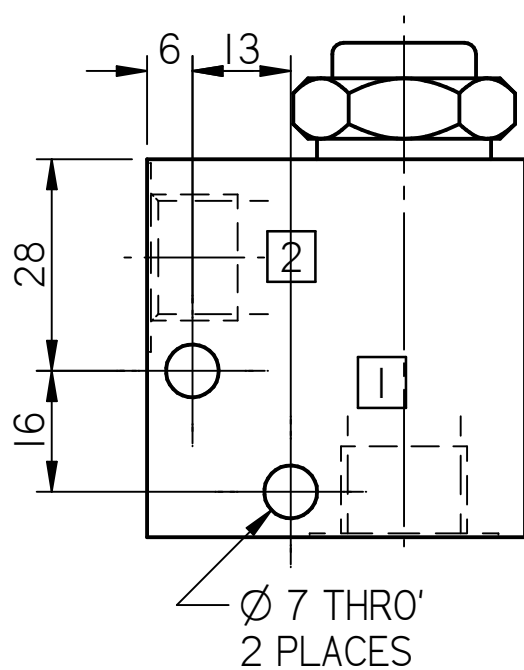
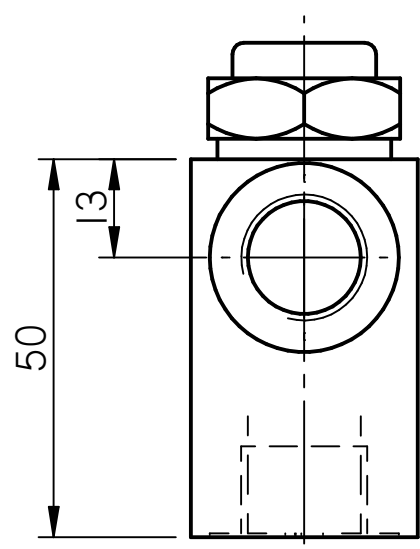
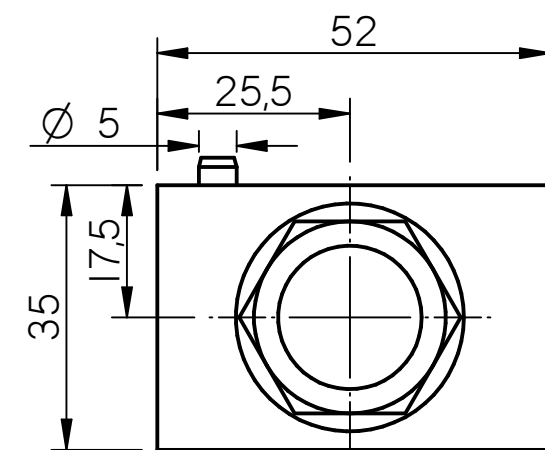
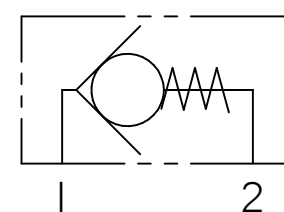
ONLY Body Part Numbers (BSP)

Aluminium	SG Iron
1/4" Z10216	1/4" Z10216S
3/8" Z10280	3/8" Z10280S



COMPLETE VALVE NG6 SUBPLATE

BASIC CODE: CVG06



Where measurements are critical request certified drawings. We reserve the right to change specifications without notice.