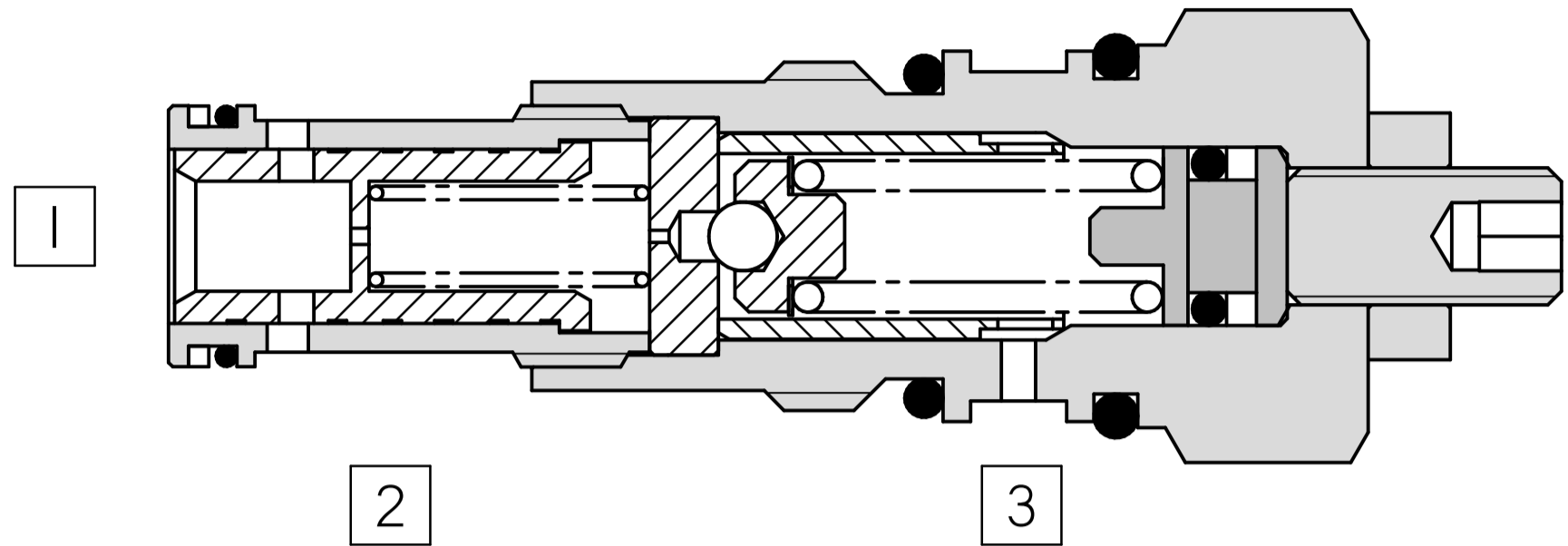
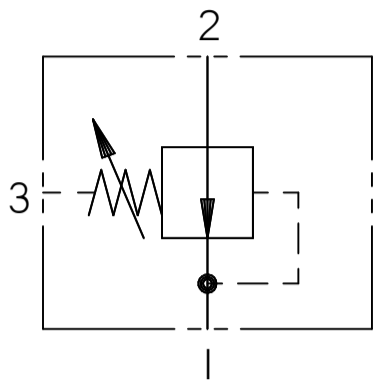
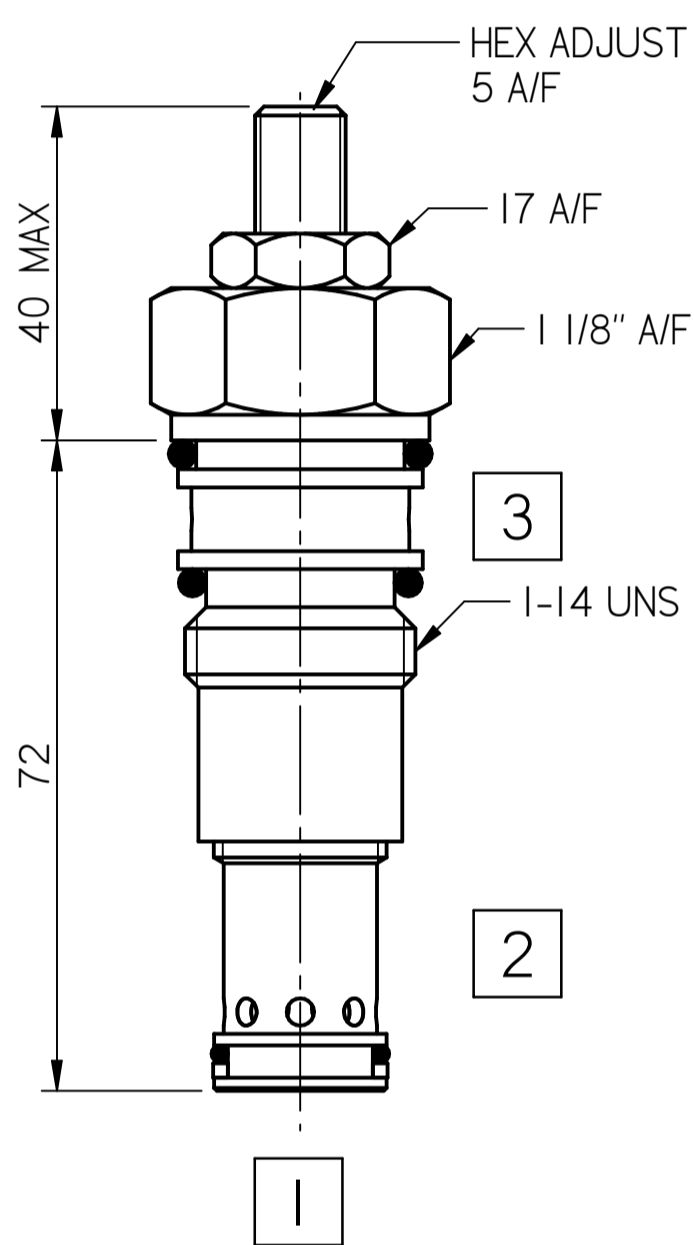


FLUID POWER SYMBOL



3



Application

Pressure reducing valves are normally open valves that are used to maintain constant downstream pressure lower than the inlet pressure. They are ideal for use in two actuator systems or to protect low pressure actuators such as brake cylinders or clamping cylinders.

Operation

The valve being normally open, the oil from the Inlet Port (2) is connected to the pilot section by an orifice in the main spool. When the pressure rises, the pilot section opens to tank causing a pressure imbalance across the spool, pushing it back and throttling or closing the ring of radial holes at the Inlet to

maintain constant pressure in the Regulated Port (1).

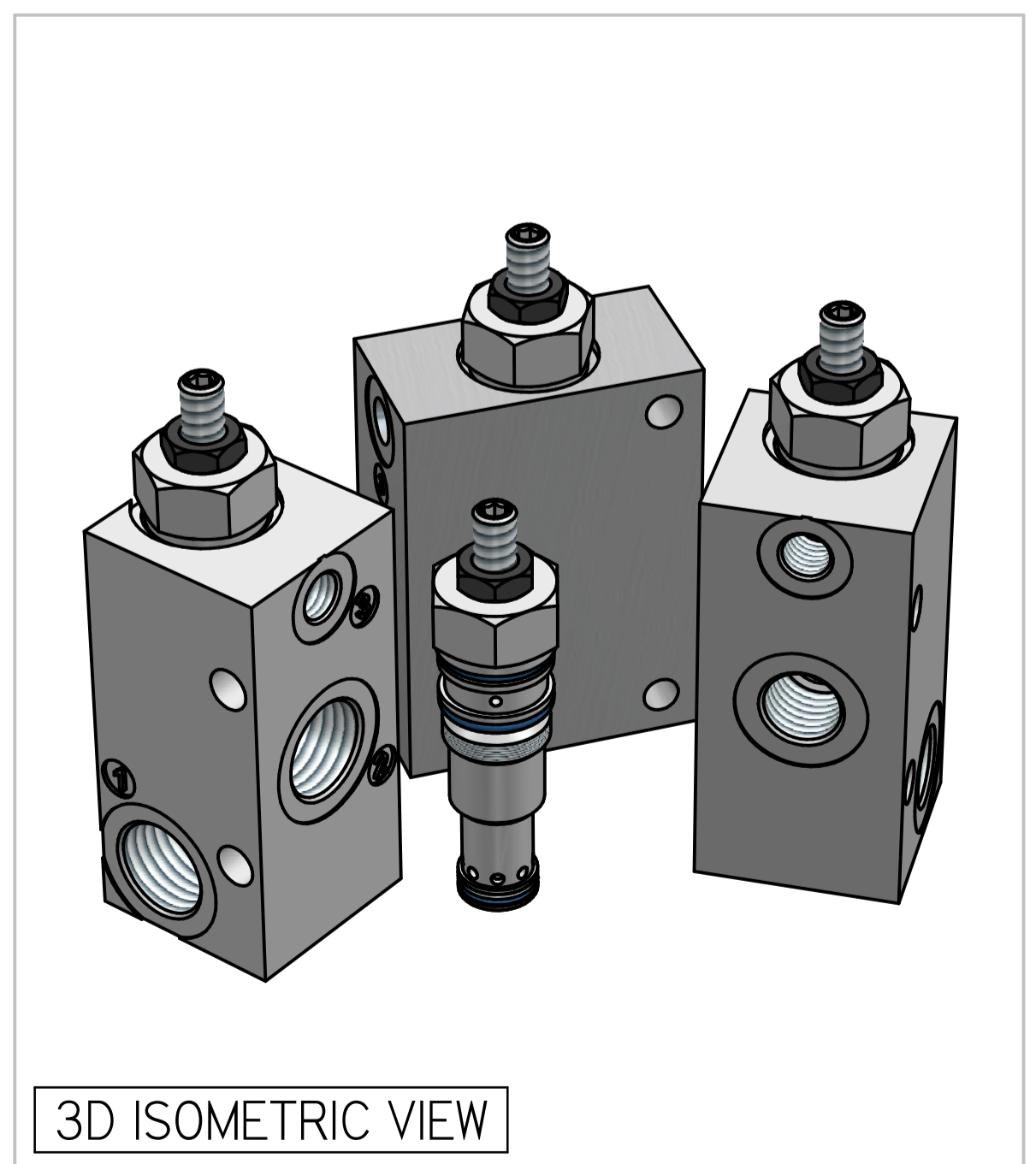
Features

High capacity – of pilot operated design. Cartridge construction for ease of installation into customer's manifold. Match ground assembly assure a long and trouble free working life

Specifications

Figures based on: Oil Temp = 40°C Viscosity = 40 cSt

Rated Flow	150 lpm
Max Pressure	350 bar
Cartridge Material	Working parts : Hardened, ground steel External surfaces : Zinc plated
Weight (Cartridge only)	PAI50: 0.170 kg
Cavity Number	TH880 (Refer Cavities Section)
Manifold Material	Aluminium (upto 250 bar) Add Suffix '729' for SG Iron (350 bar)
Torque into Cavity	60 Nm
Mounting	Line
Seal Kit Number	SKPAI50 (Nitrile) SKPAI50 V (Viton®)
Filtration Level	BS5540/4 Class I8/I3 (25µ nominal)
Operating Temp	-20°C to +90°C (Standard Seals)
Leakage	300 millilitres/min (at standard setting)
Viscosity Range	5 to 500 cSt



3D ISOMETRIC VIEW

Where measurements are critical request certified drawings. We reserve the right to change specifications without notice.

TO ORDER

PAI50 P 6W 35 N

BASIC CODE
PAI50: Cartridge or Std Body
PAI54: Through Ported Body

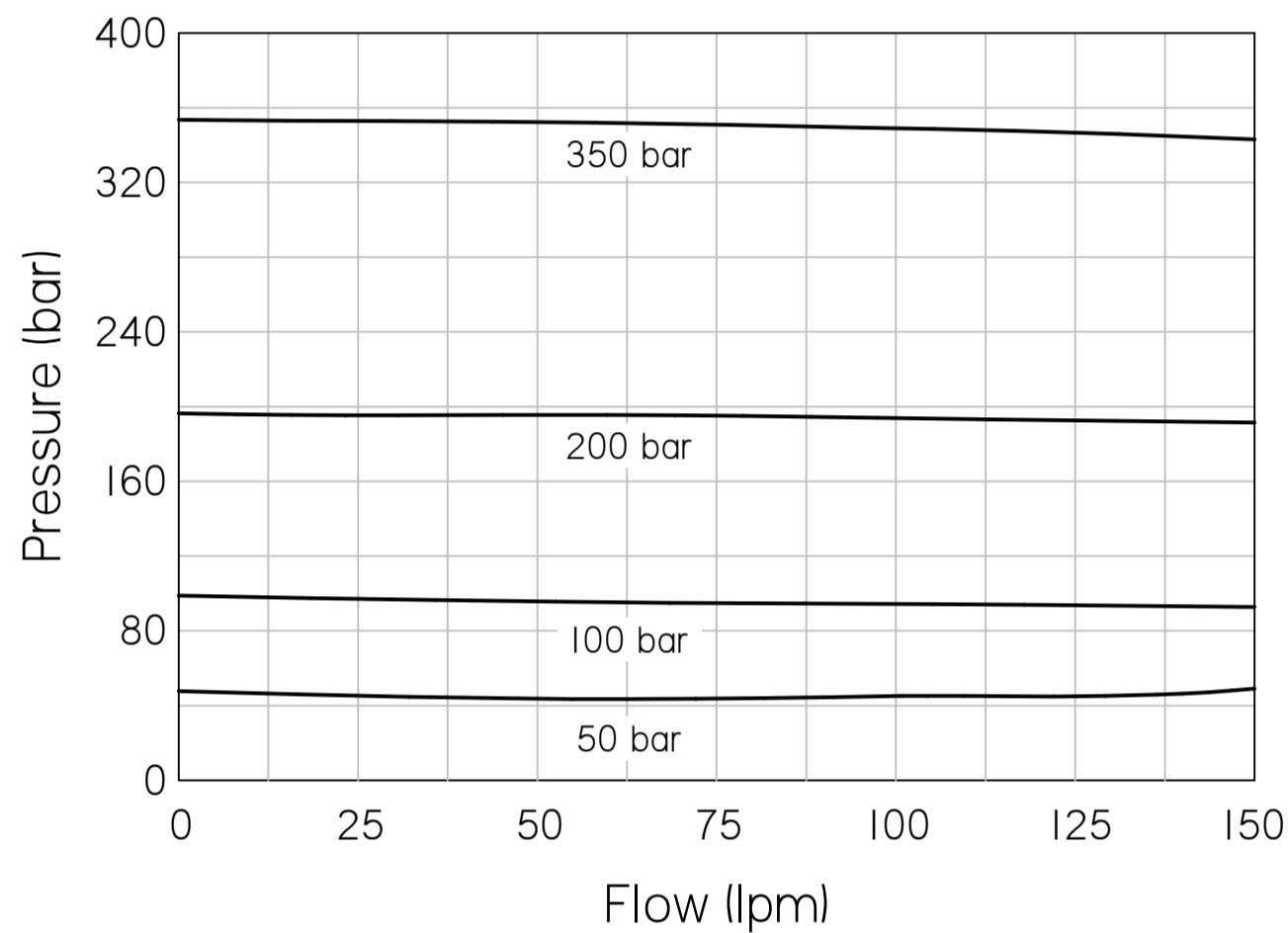
ADJUSTMENT
P: LEAKPROOF SCREW ADJUST

PORT SIZE
4W: 1/2 BSP PORTS
6W: 3/4 BSP PORTS
OMIT FOR CARTRIDGE

SEAL KIT
N: NITRILE
V: VITON

PRESSURE RANGE
10: 10 to 100 bar. Std setting 35 bar
20: 15 to 200 bar. Std setting 100 bar
35: 30 to 350 bar. Std setting 280 bar

PRESSURE CHARACTERISTICS

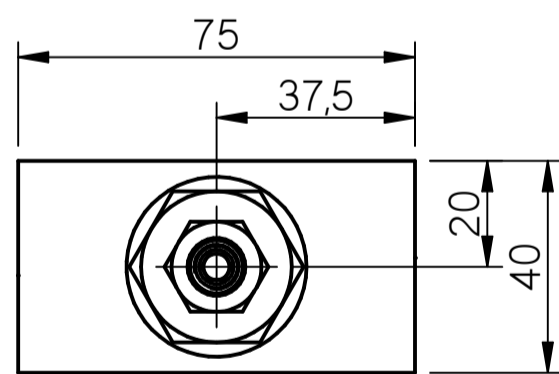
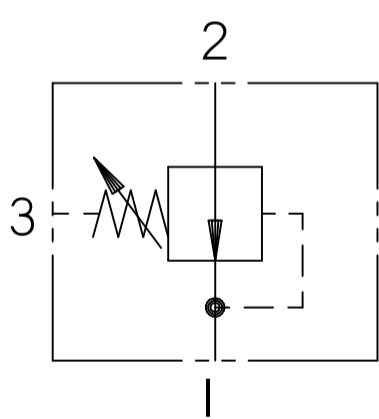


COMPLETE VALVE 3/4" BSP PORTS

BASIC CODE: PAI50 6W

ONLY Body Part Numbers (BSP)

Aluminium	SG Iron
3/4" ZI0244	3/4" ZI0244S

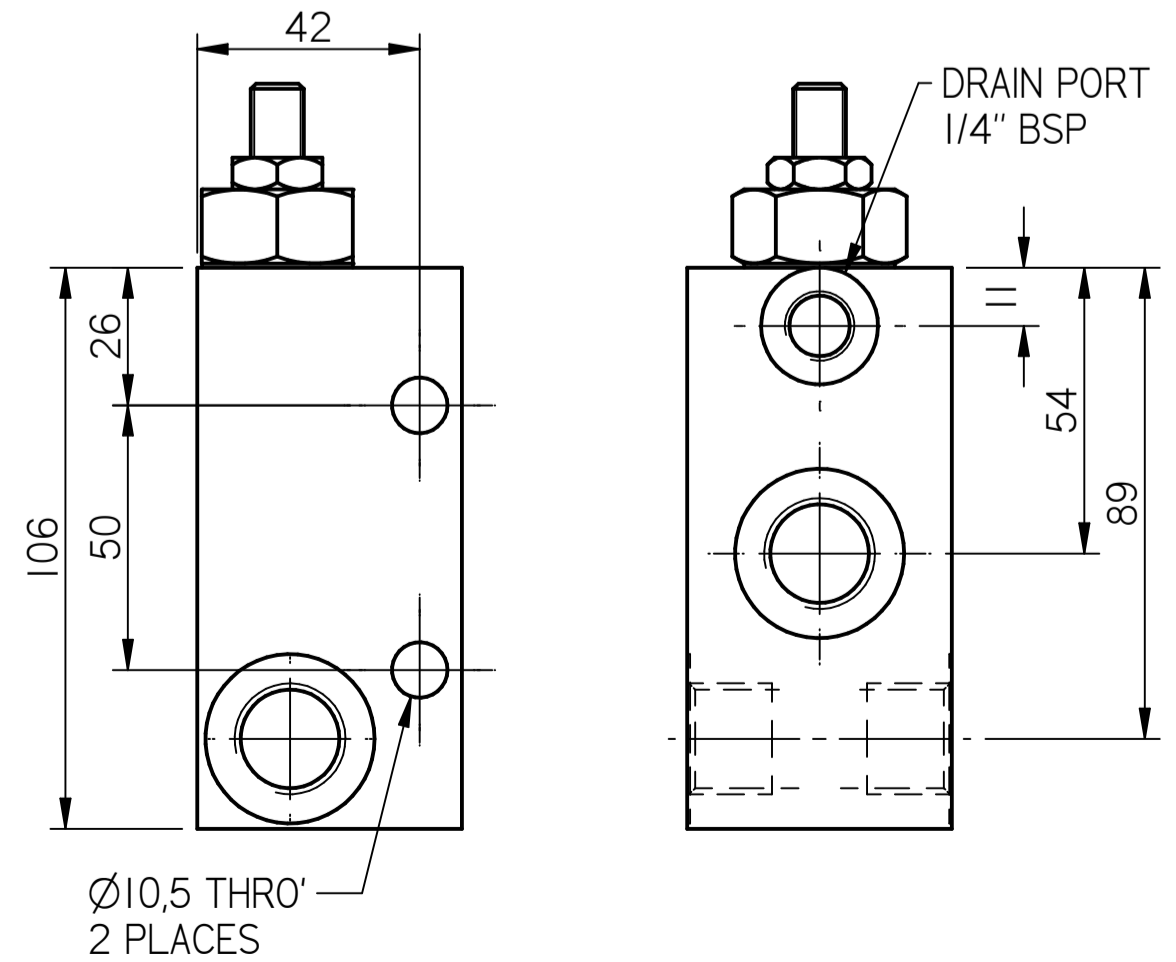
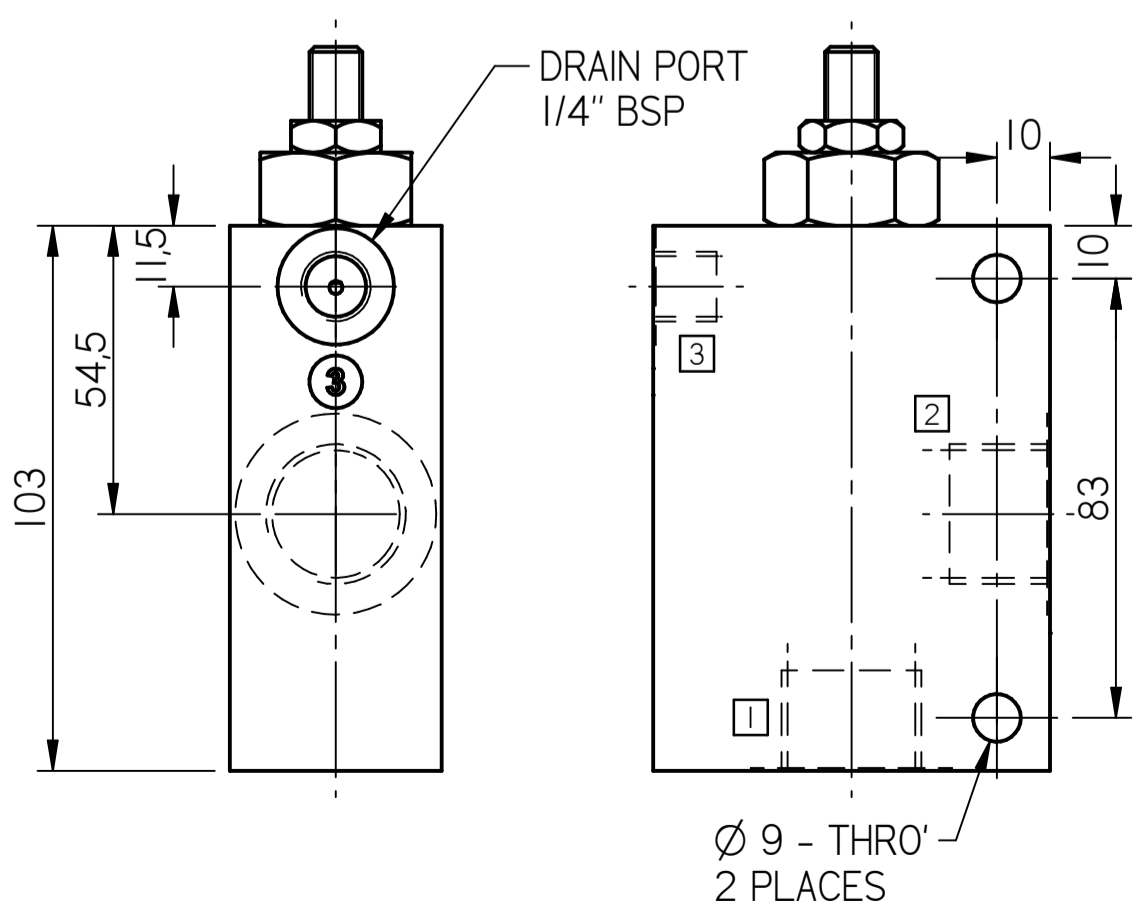
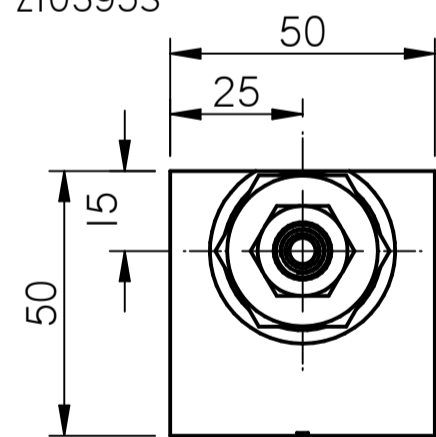
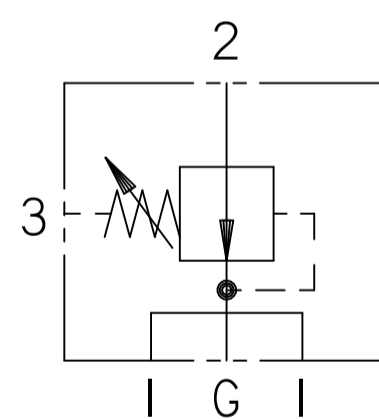


COMPLETE VALVE 1/2" 3/4" BSP PORTS

BASIC CODE: PAI54 4W/PAI54 6W

ONLY Body Part Numbers (BSP)

Aluminium	SG Iron
1/2" ZI0423	1/2" ZI0423S
3/4" ZI0395	3/4" ZI0395S



Where measurements are critical request certified drawings. We reserve the right to change specifications without notice.