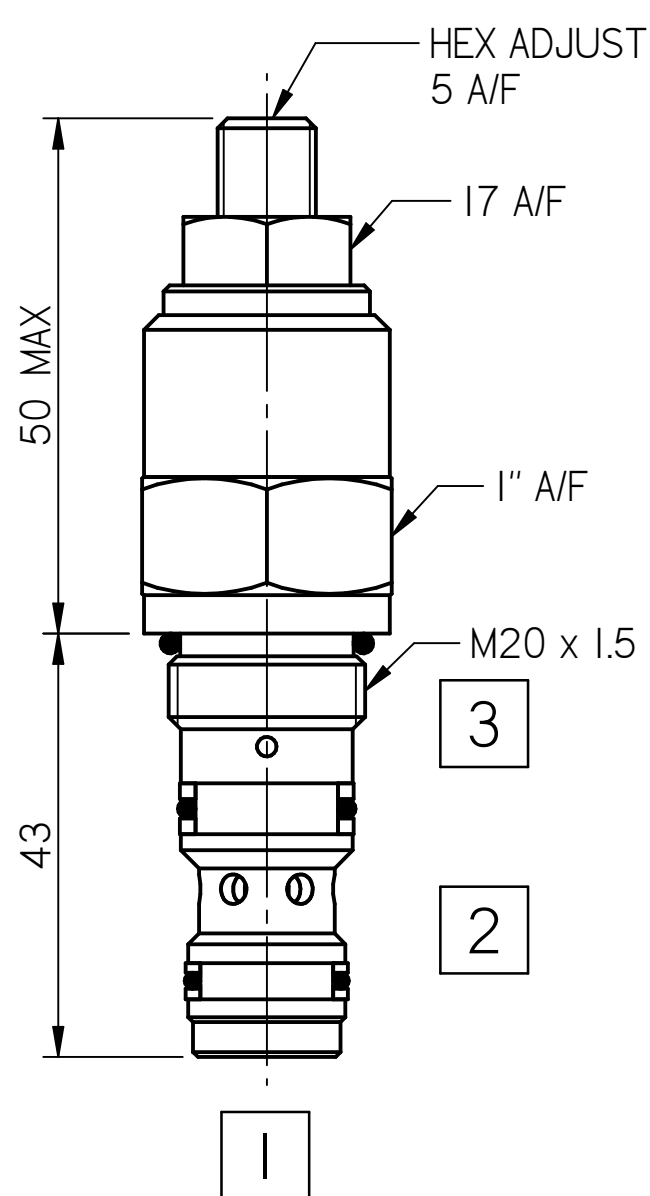
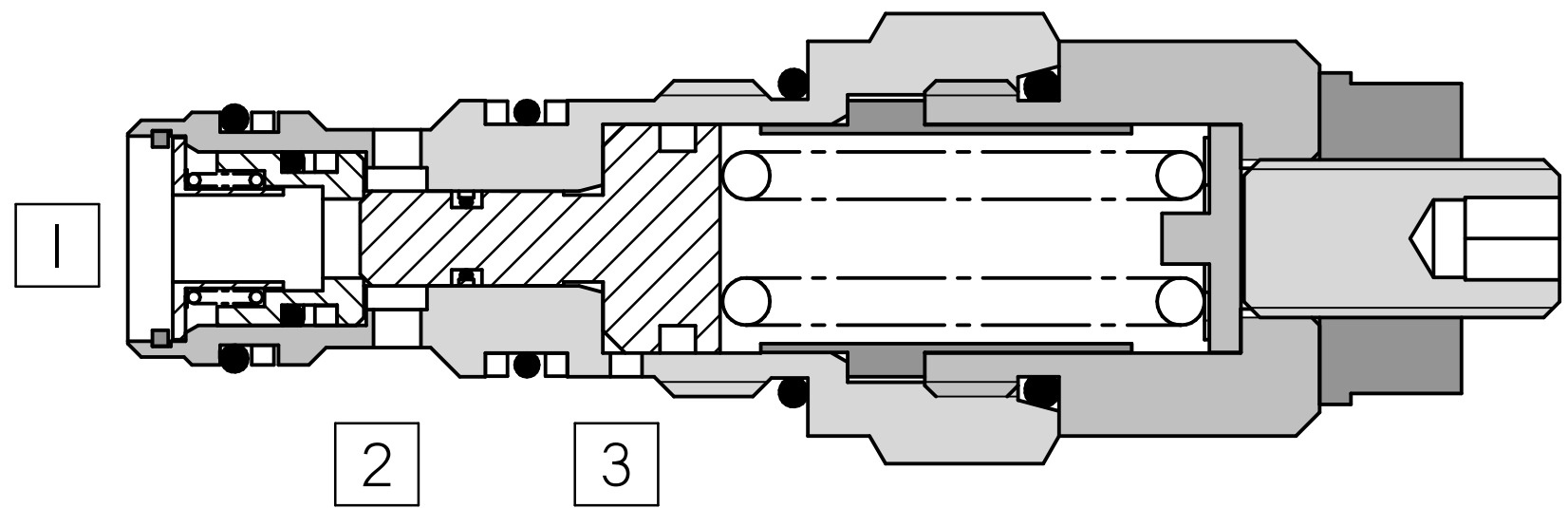
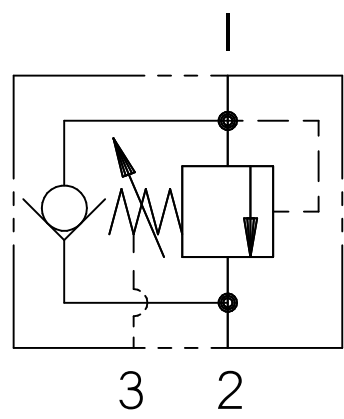


FLUID POWER SYMBOL

2



Application

Sequence valves provide ordered sequencing of two or more operations as with clamp and drill circuits. They can also be used as relief valves where the down-stream pressure is high or changes during operation. By taking the drain line directly to tank, back pressure effects are negated.

Operation

As in the case of Poppet Relief valves, when the inlet pressure at Pressure Port (1) exceeds the valve setting, the poppet lifts off the seat and the Pressure Port (1) is opened to the Sequenced Port (2) allowing for the sequenced flow to take place. Flow coming back from Port 2 is allowed to flow directly to Port 1 via the check seat.

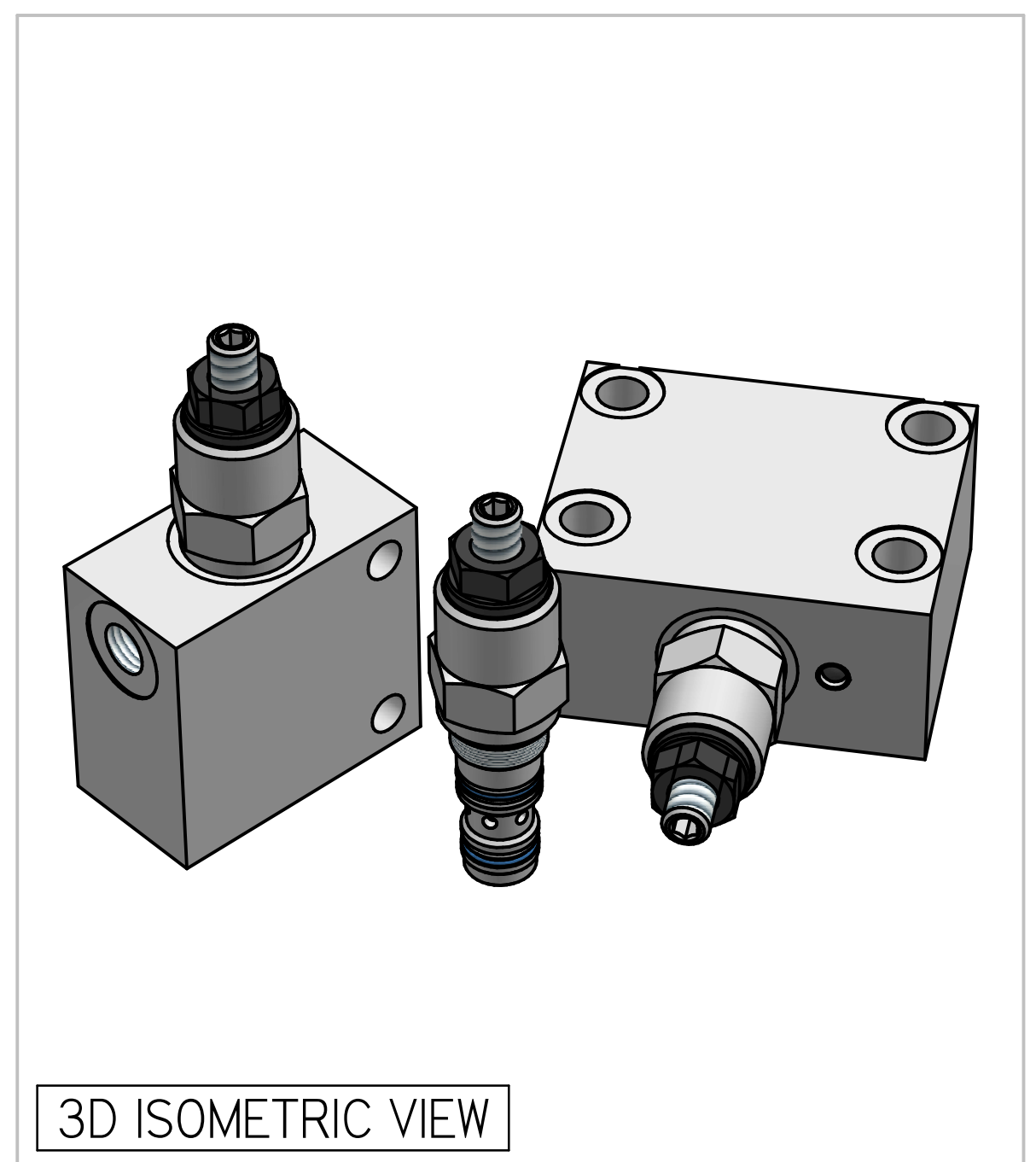
Features

Hardened, match ground and honed working parts give long, trouble-free life. There is a consistent and stable operation providing a low pressure override even with increasing flows. Cartridge construction gives maximum flexibility in mounting.

Specifications

Figures based on: Oil Temp = 40°C Viscosity = 40 cSt

Rated Flow	40 lpm
Max Pressure	350 bar
Cartridge Material	Working parts : Hardened, ground steel External surfaces : Zinc plated
Weight (Cartridge only)	PSC35: 0.150 kg
Cavity Number	TH6610 (Refer Cavities Section)
Manifold Material	Aluminium (upto 250 bar) Add Suffix '729' for SG Iron (350 bar)
Torque into Cavity	45 Nm
Mounting	Line
Seal Kit Number	SKPSC35 (Nitrile) SKPSC35V (Viton®)
Filtration Level	BS5540/4 Class 18/13 (25µ nominal)
Operating Temp	-20°C to +90°C (Standard Seals)
Leakage	Less than 0.3 millilitres/min (5 dpm)
Viscosity Range	5 to 500 cSt



3D ISOMETRIC VIEW

Where measurements are critical request certified drawings. We reserve the right to change specifications without notice.

TO ORDER

PSC35 F 3W 35 N

BASIC CODE
PSC35: SEQUENCE VALVE
PSCG35: SUBPLATE SEQUENCE VALVE

ADJUSTMENT
F: SCREW ADJUST

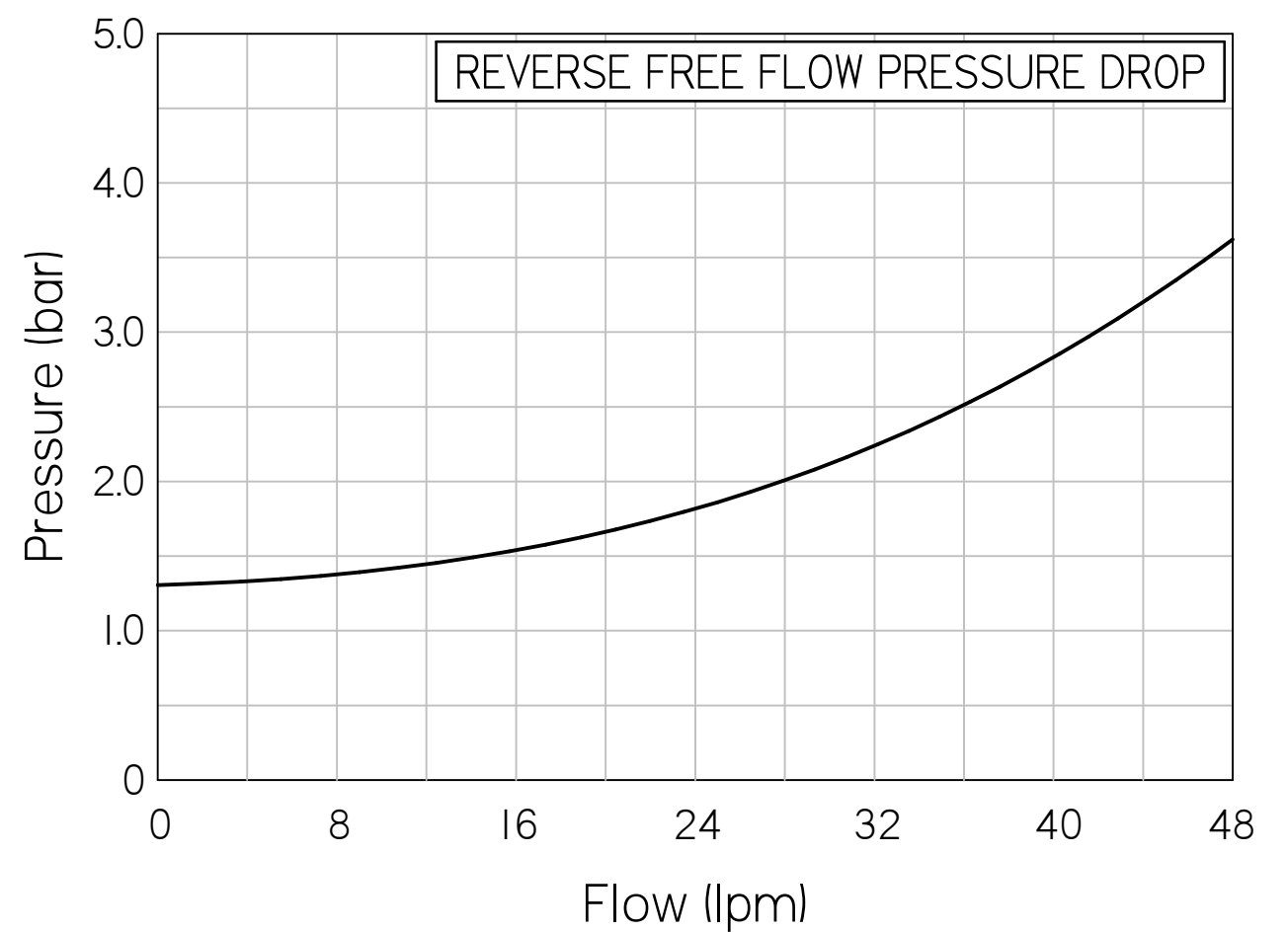
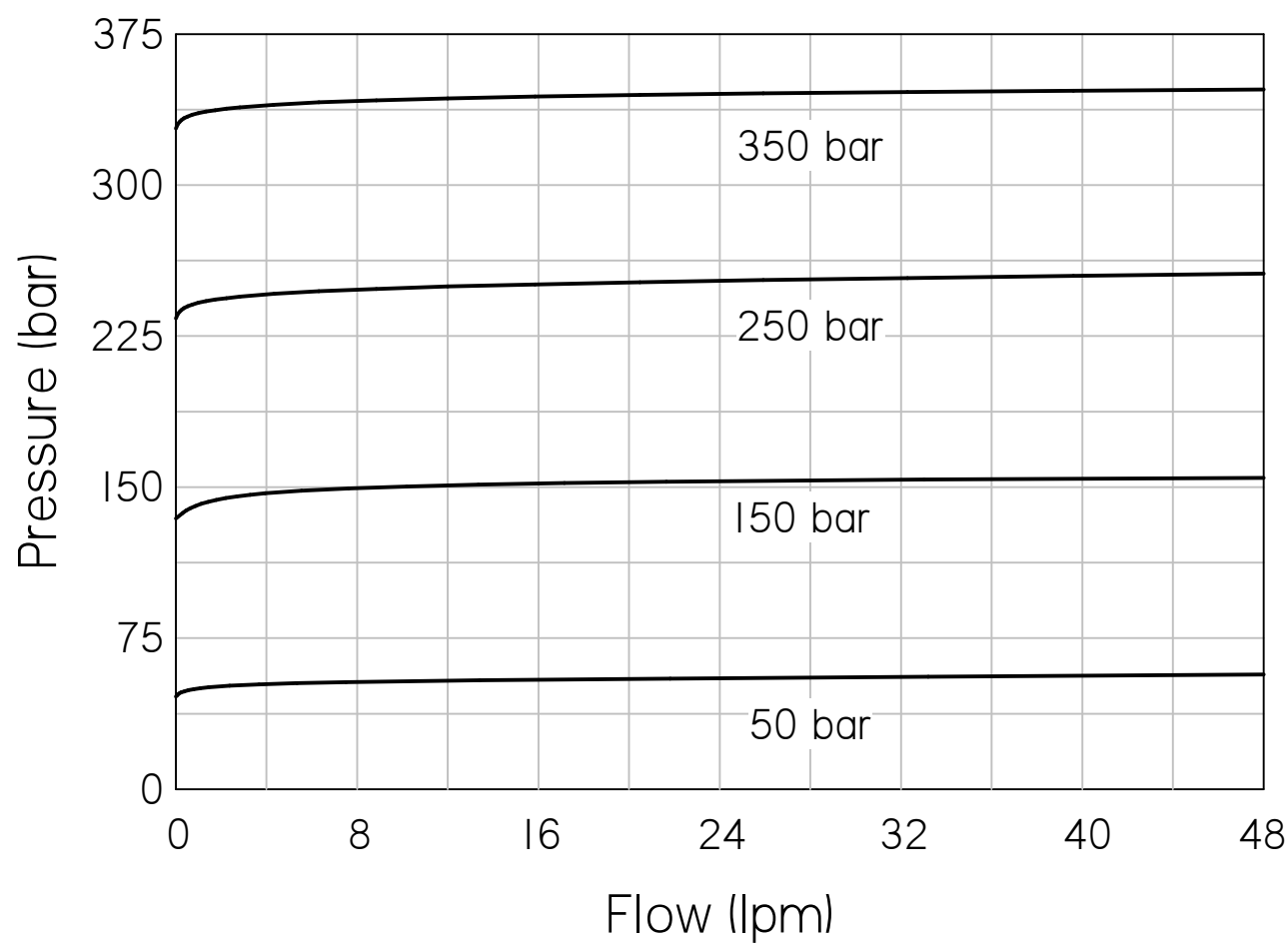
PORT SIZE
3W: 3/8 BSP PORTS
OMIT FOR CARTRIDGE AND SUBPLATE

SEAL KIT
N: NITRILE
V: VITON

PRESSURE RANGE
10: 10 to 100 bar. Std setting 70 bar
20: 60 to 210 bar. Std setting 100 bar
35: 70 to 350 bar. Std setting 210 bar

2

PRESSURE CHARACTERISTICS

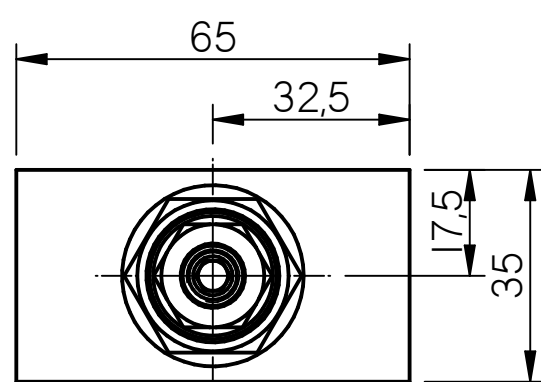
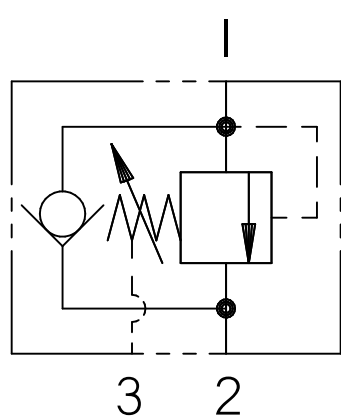


COMPLETE VALVE 3/8" BSP PORTS

BASIC CODE: PSC35 3W

ONLY Body Part Numbers (BSP)

Aluminium	SG Iron
3/8"	Z10386
3/8"	Z10386S

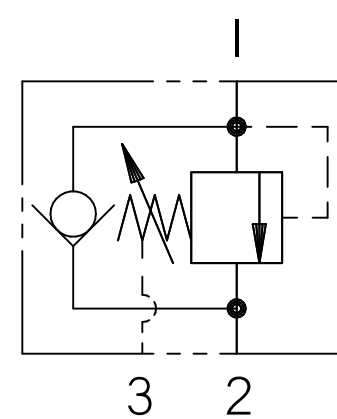


COMPLETE VALVE SUBPLATE MOUNTED

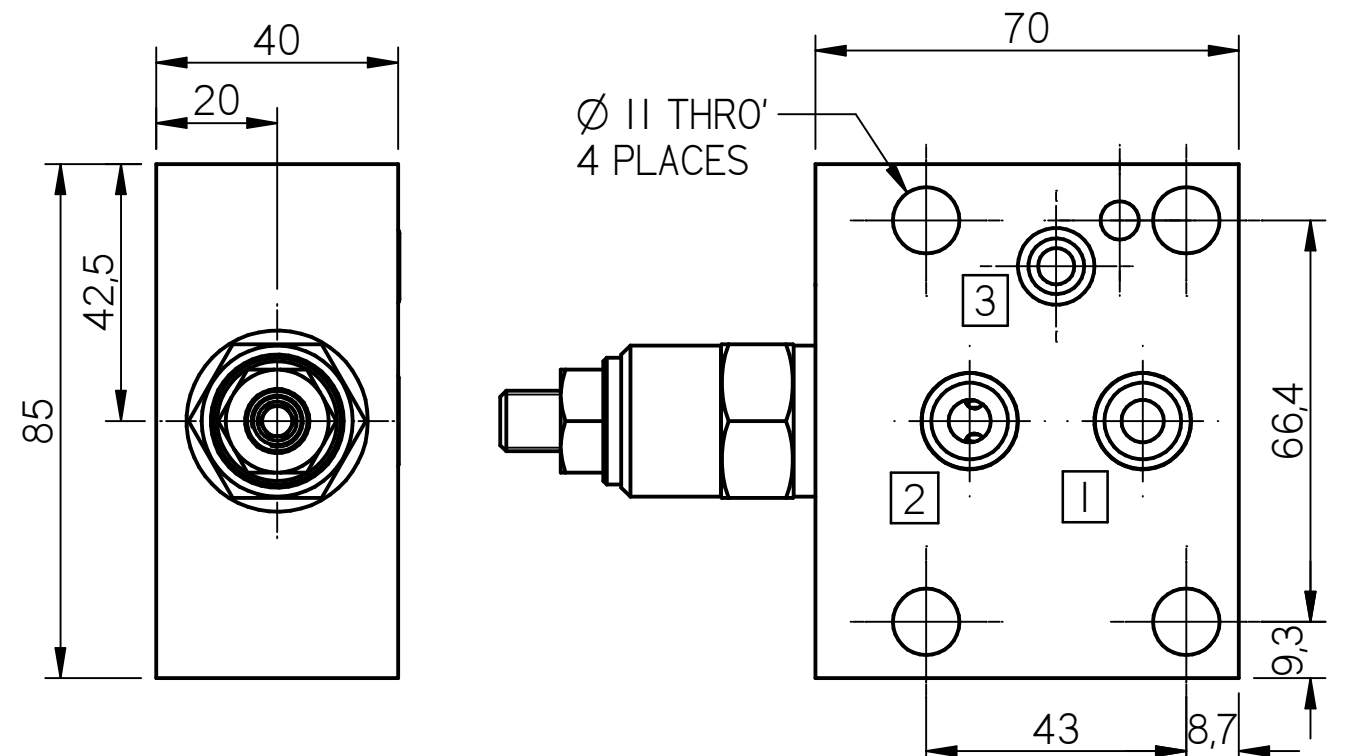
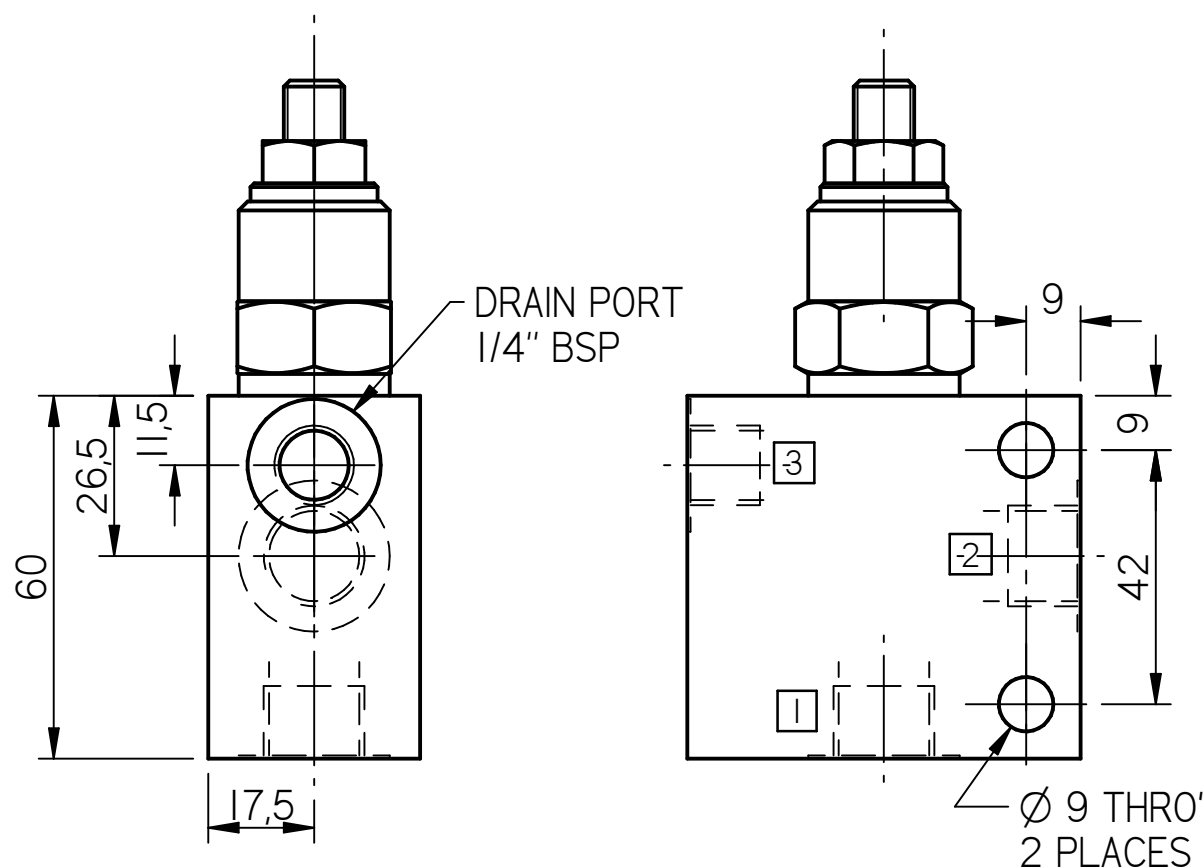
BASIC CODE: PSCG35

ONLY Body Part Numbers (BSP)

Aluminium	SG Iron
-	3/8"
-	Z10380



SUBPLATE
Refer Page 4-210.C



Where measurements are critical request certified drawings. We reserve the right to change specifications without notice.