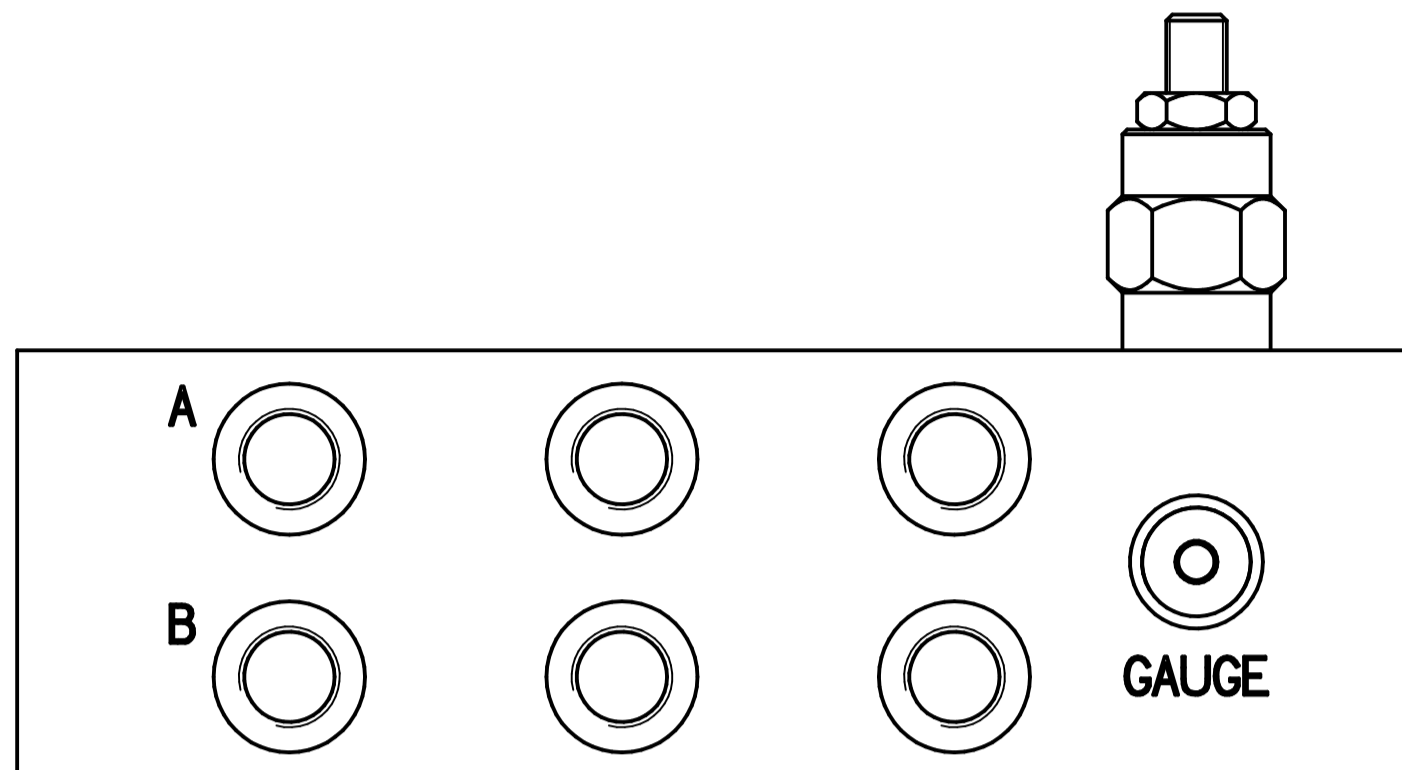
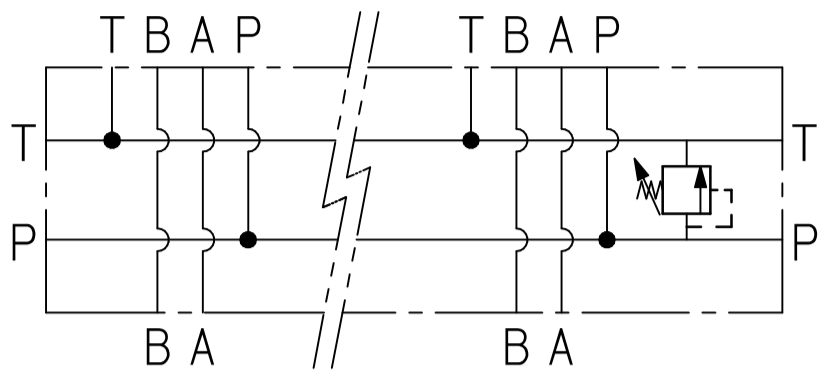


### FLUID POWER SYMBOL



### Application

The XP044RV subplate is a CETOP3 manifold with an inbuilt relief valve to limits system pressure by directing flow from the P to T Port when pump pressure reaches the valve setting. It reduces the need for an additional relief valve when using CETOP3 modular stacking valve.

### Operation

As with all direct acting relief valves, when the pressure exceeds the spring force, the poppet moves back, opening the Pressure Port (P) to the Tank Port (T). Buffer on the nose dampens the vibrations on the valve giving a smooth operation.

### Features

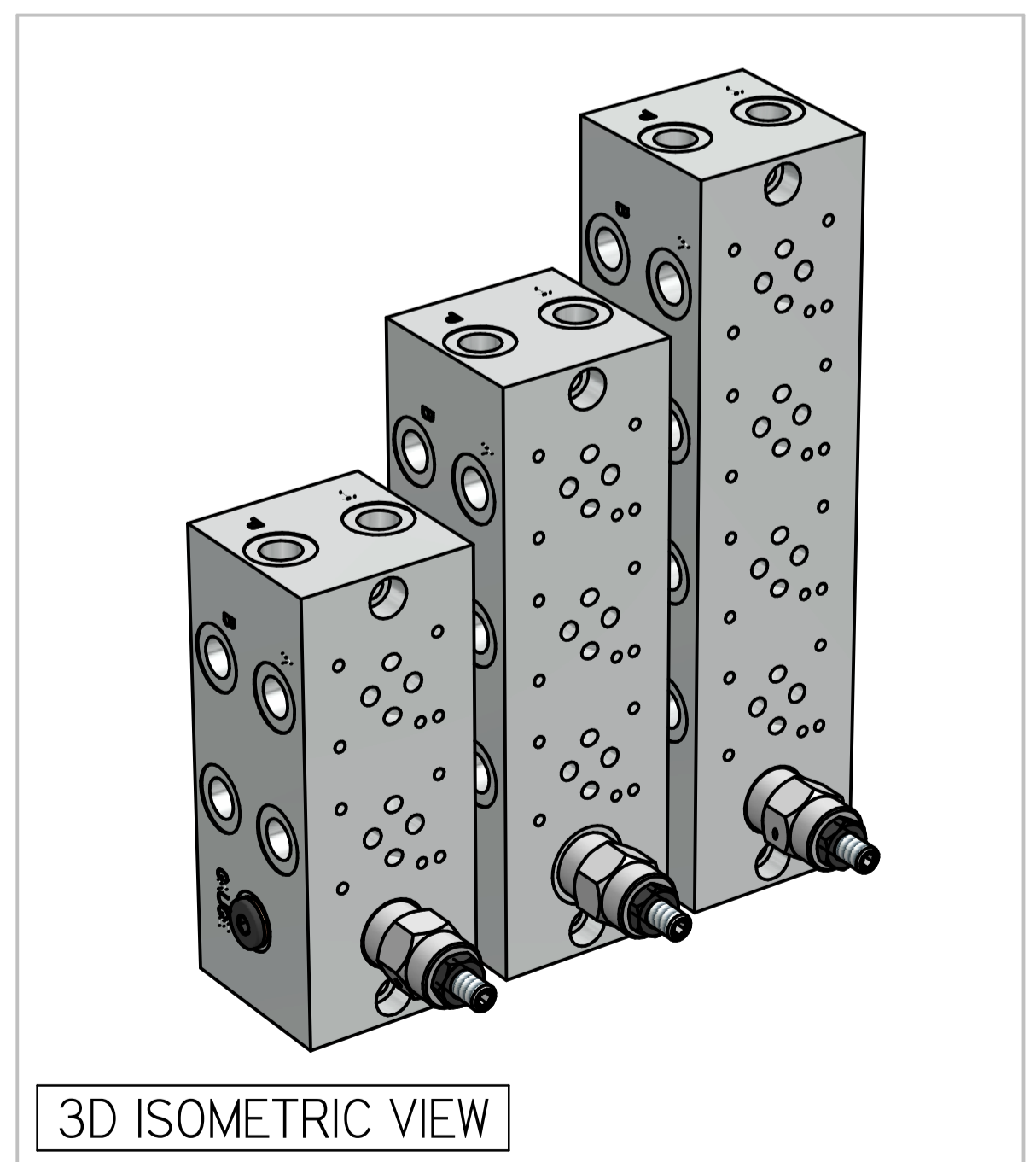
CETOP3 interface provides sandwiched stacking for directional control valves and other modular valves. Mating surfaces are ground and ports with O-rings are spot faced. The valve pressure setting is adjustable by means of an adjusting knob and locknut.

12

### Specifications

Figures based on: Oil Temp = 40°C Viscosity = 40 cSt

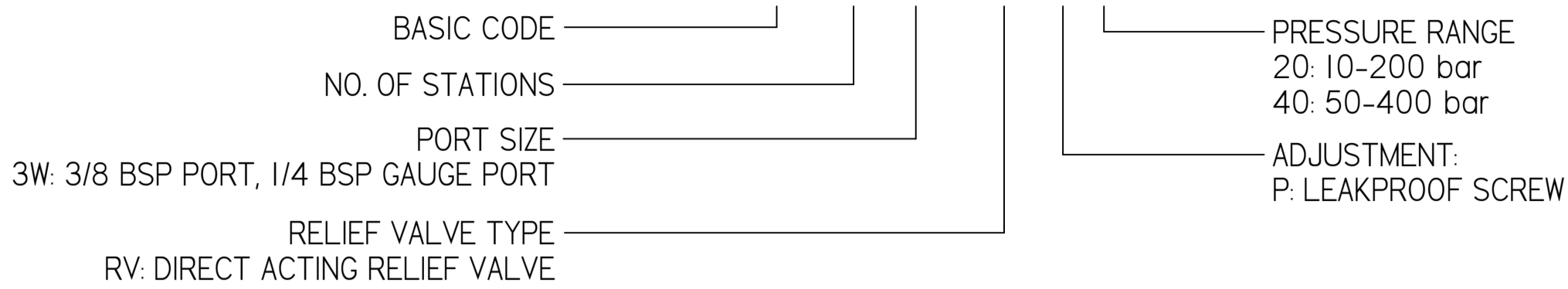
Max Flow	60 litres/min	
Max Pressure	400 bar	
Cartridge Material	Working Parts: Hardened and Ground External Surfaces: Zinc Plated	
Manifold Material	SG Iron	
Mounting	CETOP3	
Weight	SEE CHART	
Seal Kit Number	SKDRV08 (Nitrile)	SKDRV08V (Viton)
Filtration	BS5540/4 Class I8/I3 (25µ nominal)	
Operating Temp	-20°C to +90°C (Standard Seals)	
Leakage	Less than 0.3 millilitres/min (5 dpm)	
Viscosity Range	5 to 500 cSt	



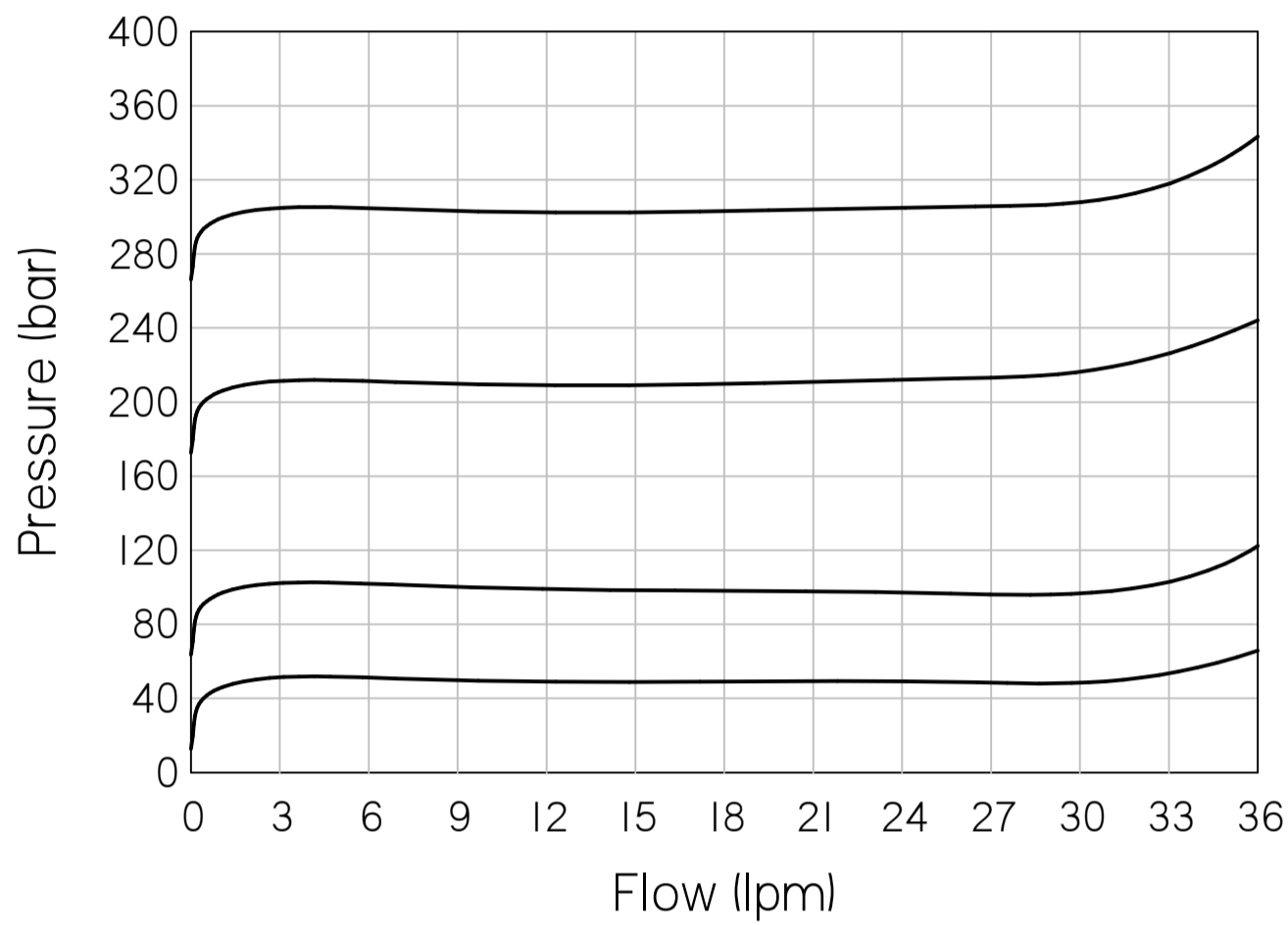
Where measurements are critical request certified drawings. We reserve the right to change specifications without notice.

**TO ORDER**

**XP044 2 3W RV P 20**

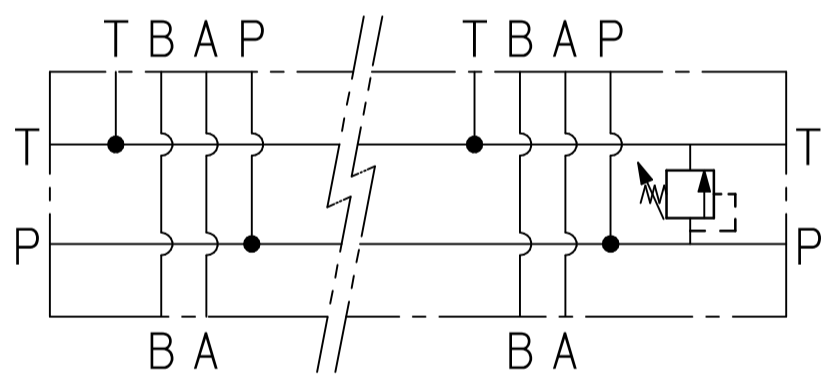


**PRESSURE CHARACTERISTICS**

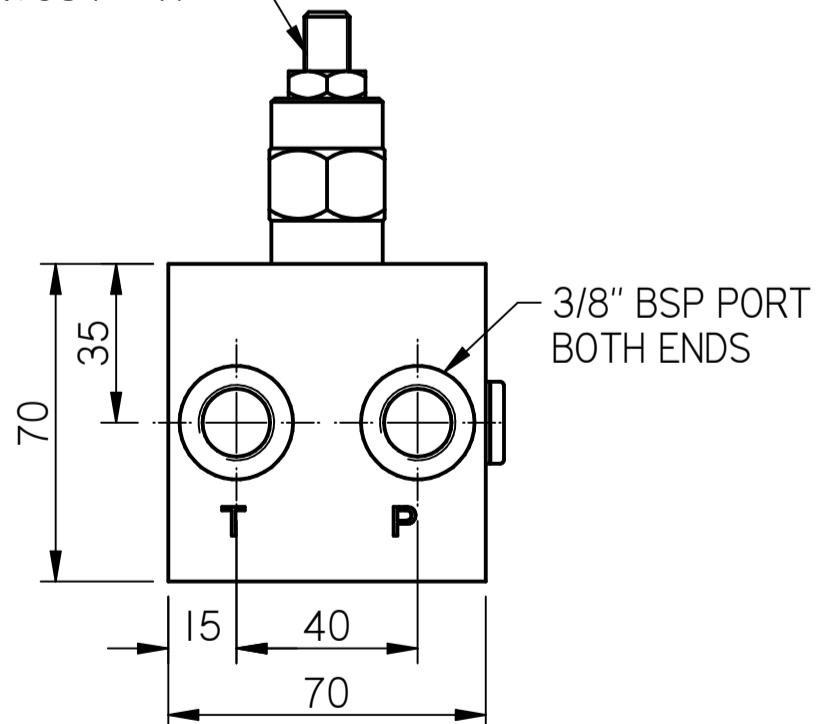


**COMPLETE VALVE** 3/8" BSP PORTS

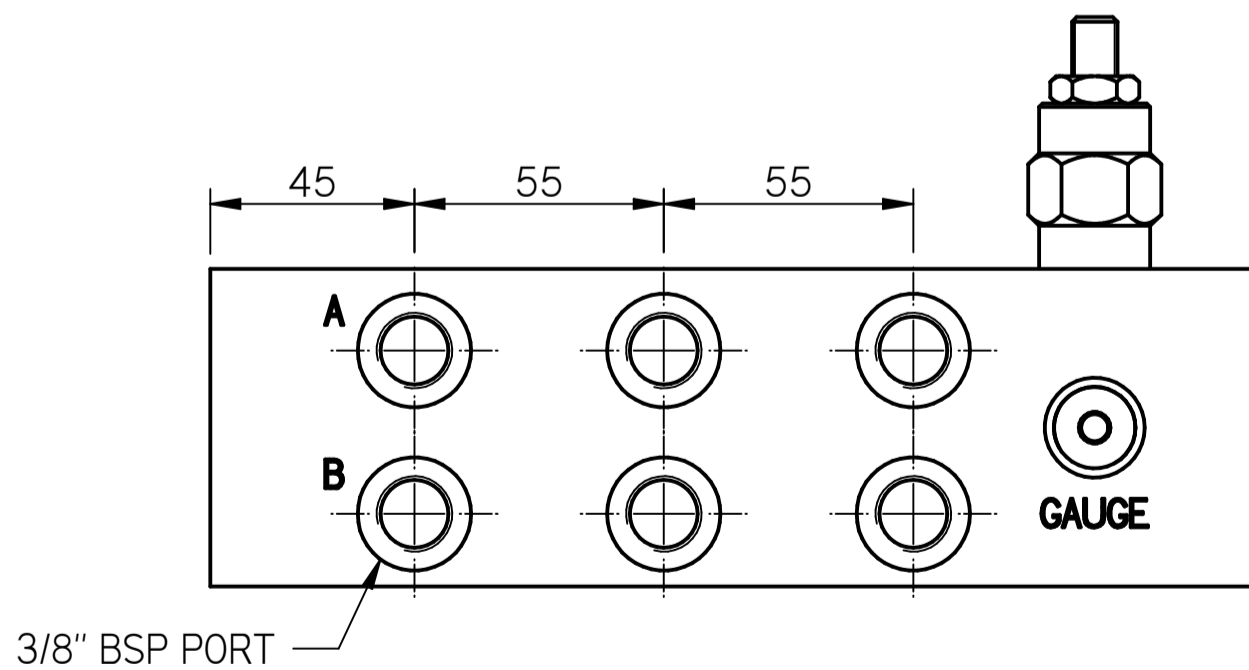
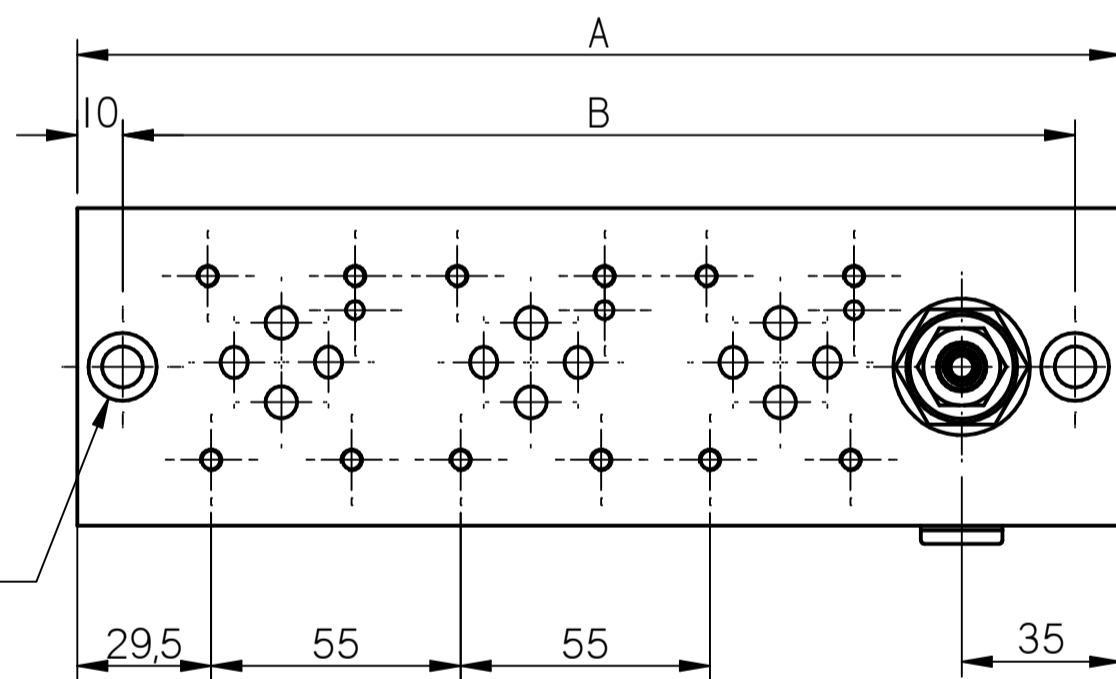
BASIC CODE: XP044RV



CARTRIDGE  
DRV08 P \*\* N



Ø 9 THRO'  
C'BORE Ø 15 - 10 DEEP  
2 PLACES



12

Basic Code	XP0442 RV	XP0443 RV	XP0444 RV	XP0446 RV	XP0448 RV
No. of Stations	2	3	4	6	8
A	145	230	285	395	505
B	155	210	265	275	485
Weight	5.85	8.35	9.35	14.65	18.85

Where measurements are critical request certified drawings. We reserve the right to change specifications without notice.