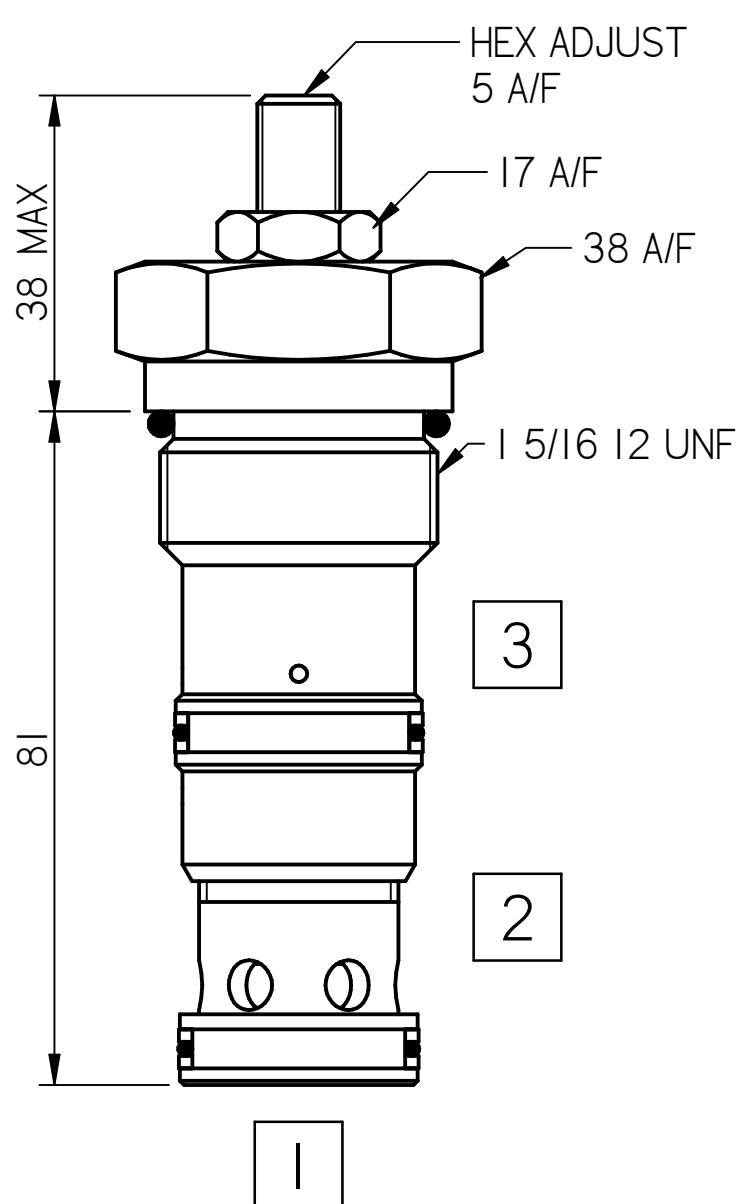
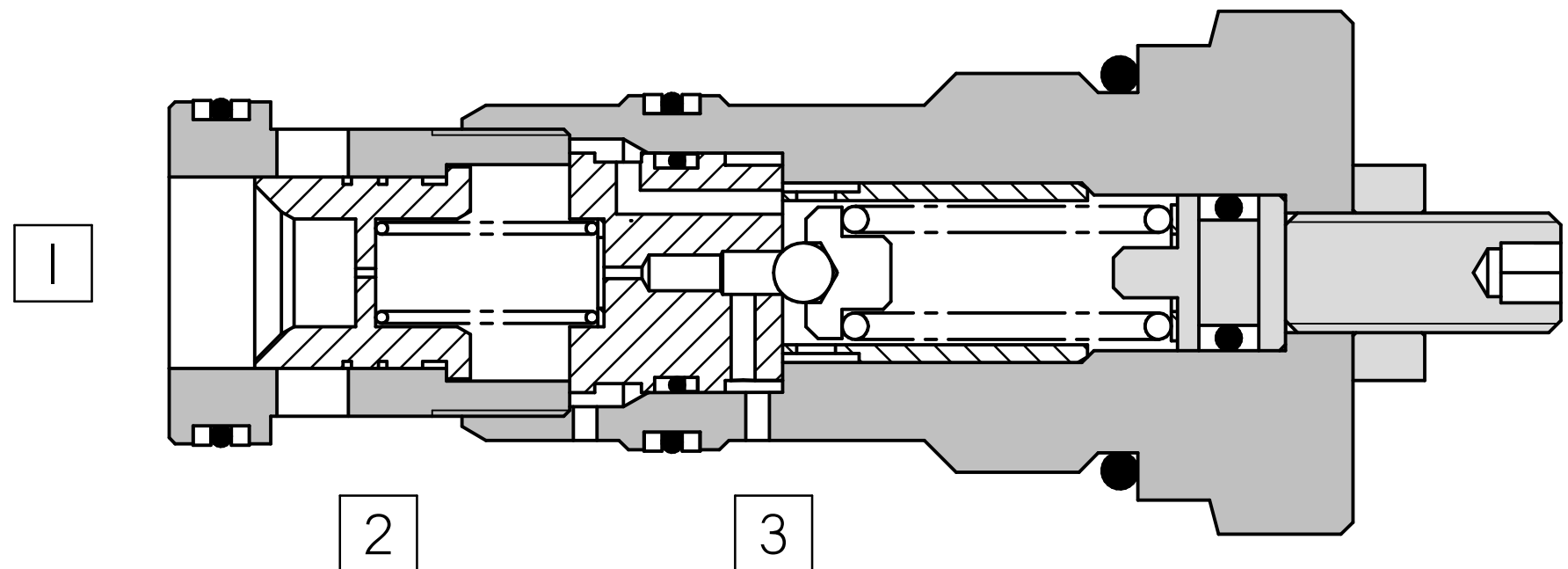
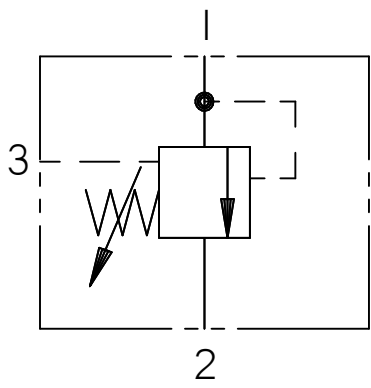


### FLUID POWER SYMBOL



### Application

The VR Series valves are used to limit the pressure within a system. They are ideal for continuous duty providing accurate pressure control with constant or varying flows. The additional Vent feature can be used with remote pilot section for a two pressure system or to allow manual or remote unloading of the pump.

### Operation

When the inlet pressure exceeds the setting of the valve, the pilot section opens, causing a small flow across the orifice in the main spool. The subsequent pressure drop moves the spool against a light spring opening a ring of radial holes in the sleeve,

allowing relief flow to tank. When the valve is vented, pilot flow is referenced directly to tank. This flow causes a pressure imbalance opening the main section and dumping the pump to tank at minimum pressure drop.

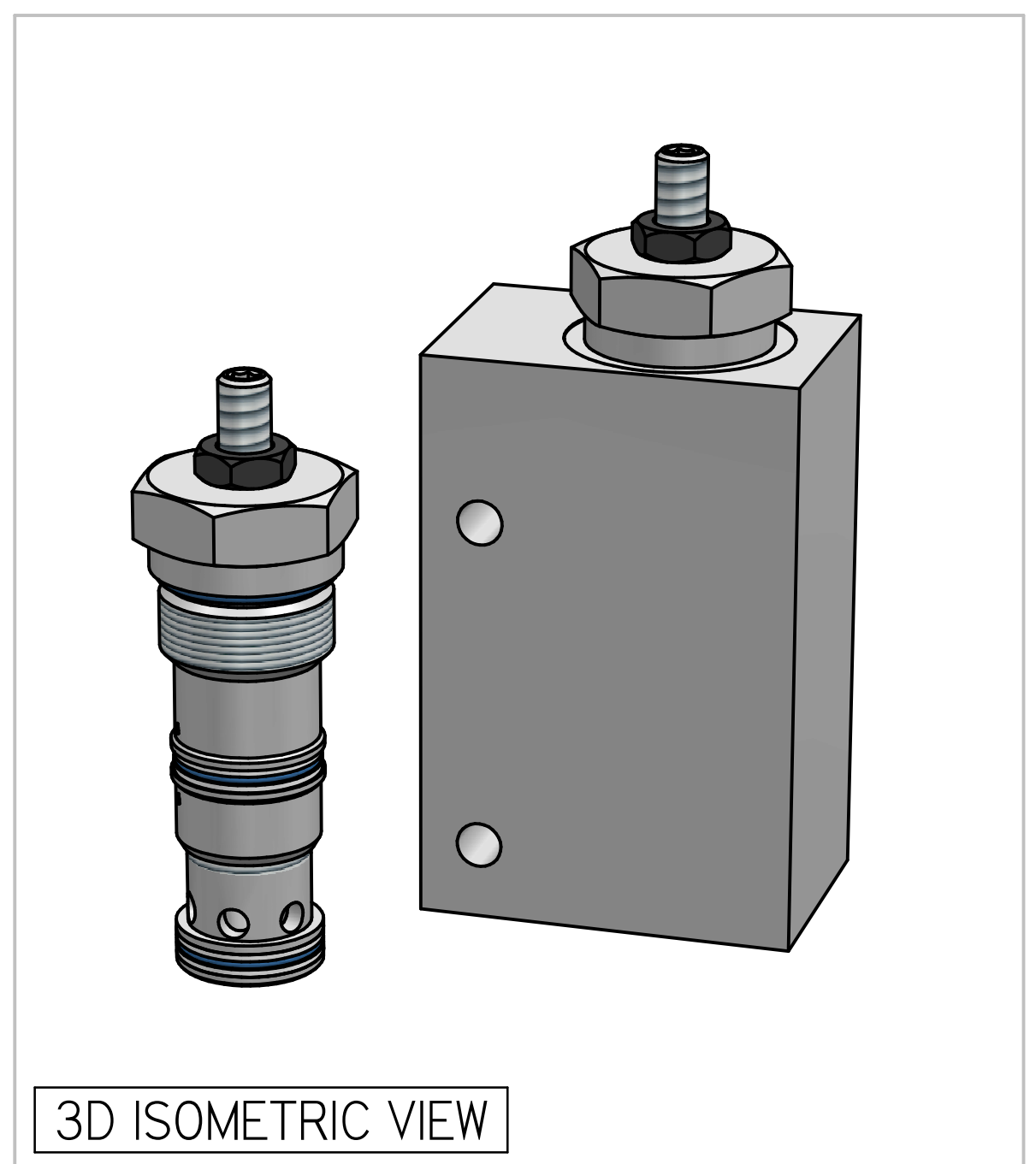
### Features

High accuracy of pilot operated design. Hardened working parts ensure a long, reliable, trouble-free life. Ventable for versatility of operation. Cartridge construction for installation in customer's manifold.

### Specifications

Figures based on: Oil Temp = 40°C Viscosity = 40 cSt

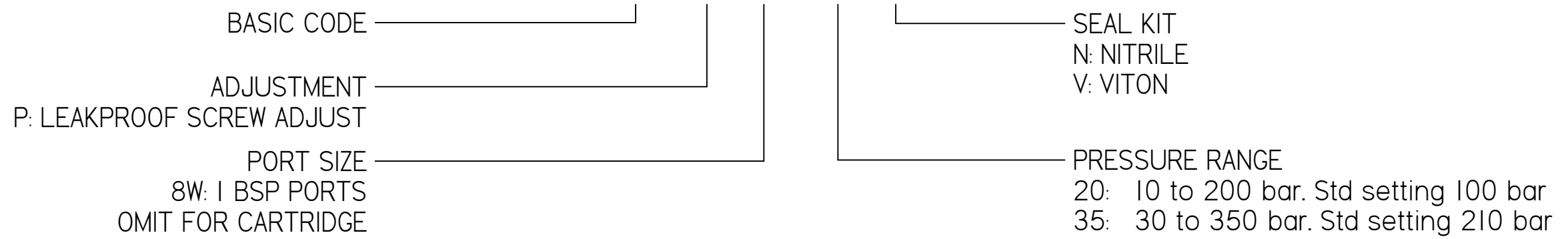
Rated Flow	250 lpm
Max Pressure	350 bar
Cartridge Material	Working parts : Hardened, ground steel External surfaces : Zinc plated
Weight (Cartridge only)	VR250: 0.740 kg
Cavity Number	TH16102 (Refer Cavities Section)
Manifold Material	Aluminium (upto 250 bar) Add Suffix '729' for SG Iron (350 bar)
Torque into Cavity	100 Nm
Mounting	Line
Seal Kit Number	SKVR250 (Nitrile)      SKVR250V (Viton®)
Filtration Level	BS5540/4 Class 18/13 (25µ nominal)
Operating Temp	-20°C to +90°C (Standard Seals)
Leakage	Less than 35 millilitres/min
Viscosity Range	5 to 500 cSt



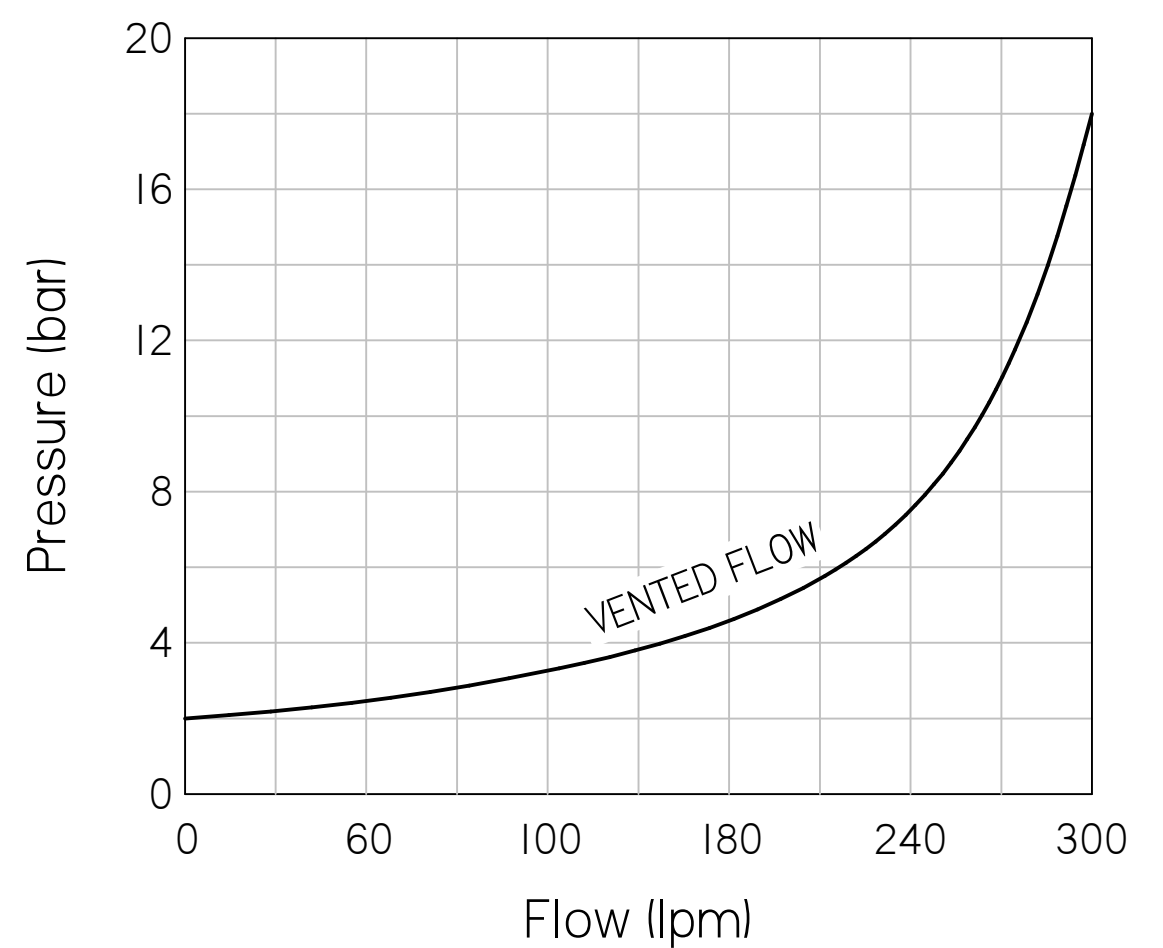
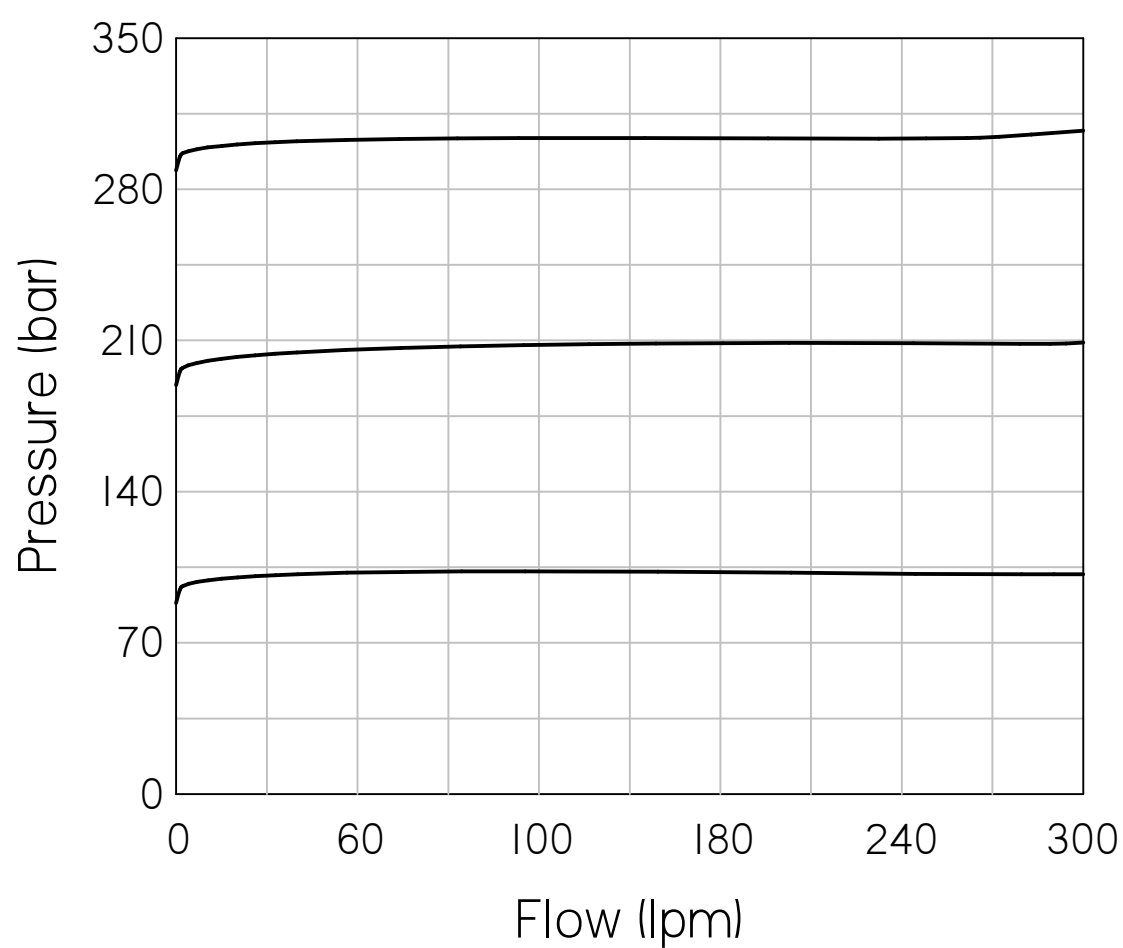
Where measurements are critical request certified drawings. We reserve the right to change specifications without notice.

**TO ORDER**

**VR250 P 8W 35 N**



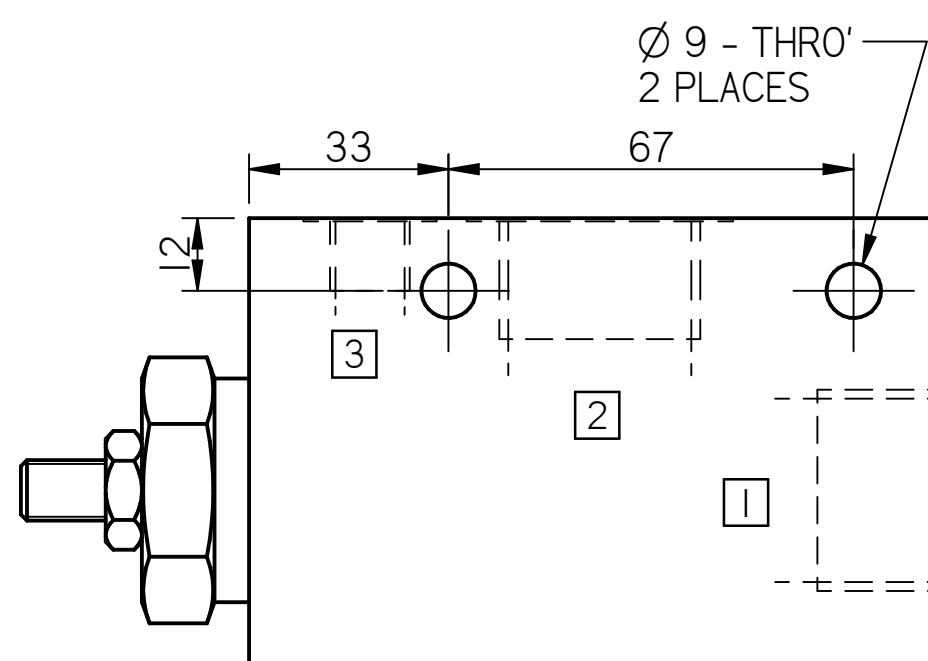
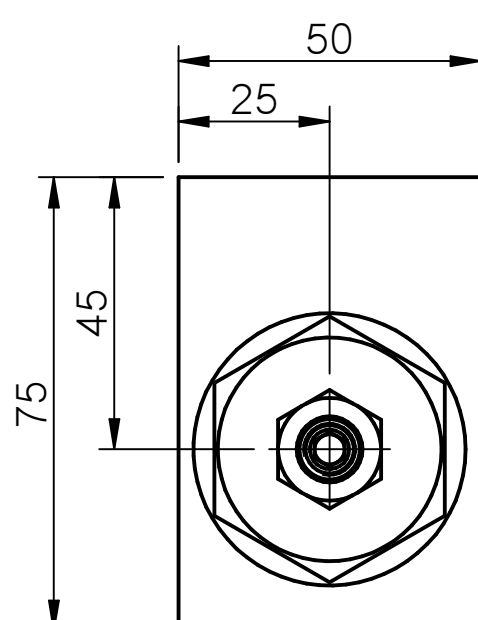
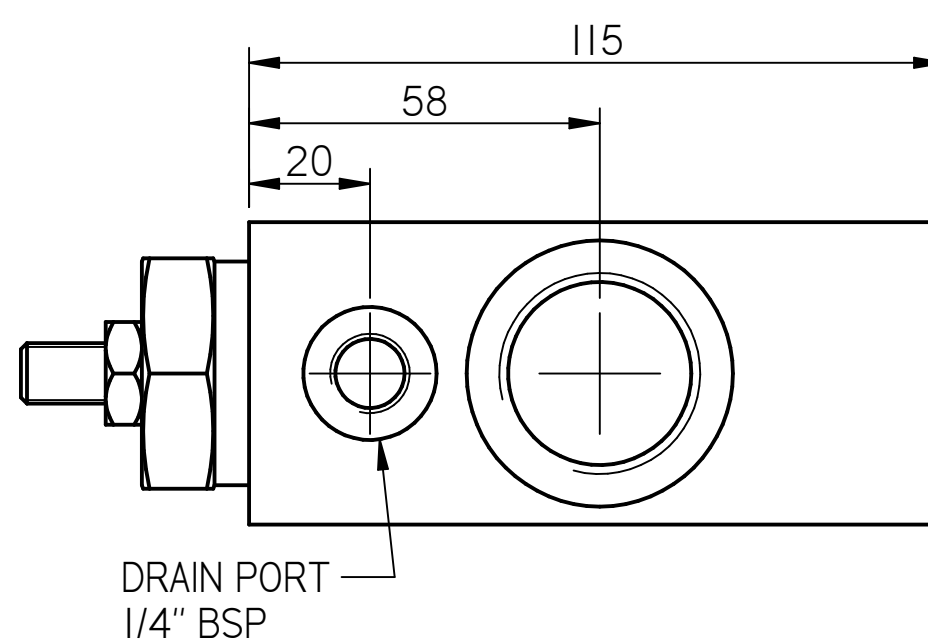
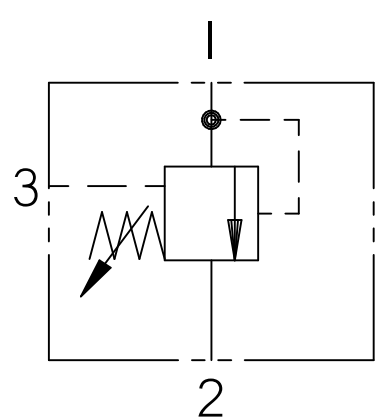
**PRESSURE CHARACTERISTICS**



**COMPLETE VALVE** 1" BSP PORTS

BASIC CODE: VR250 8W

ONLY Body Part Numbers (BSP)  
Aluminium SG Iron  
1" Z10391 1" Z10391S



Where measurements are critical request certified drawings. We reserve the right to change specifications without notice.