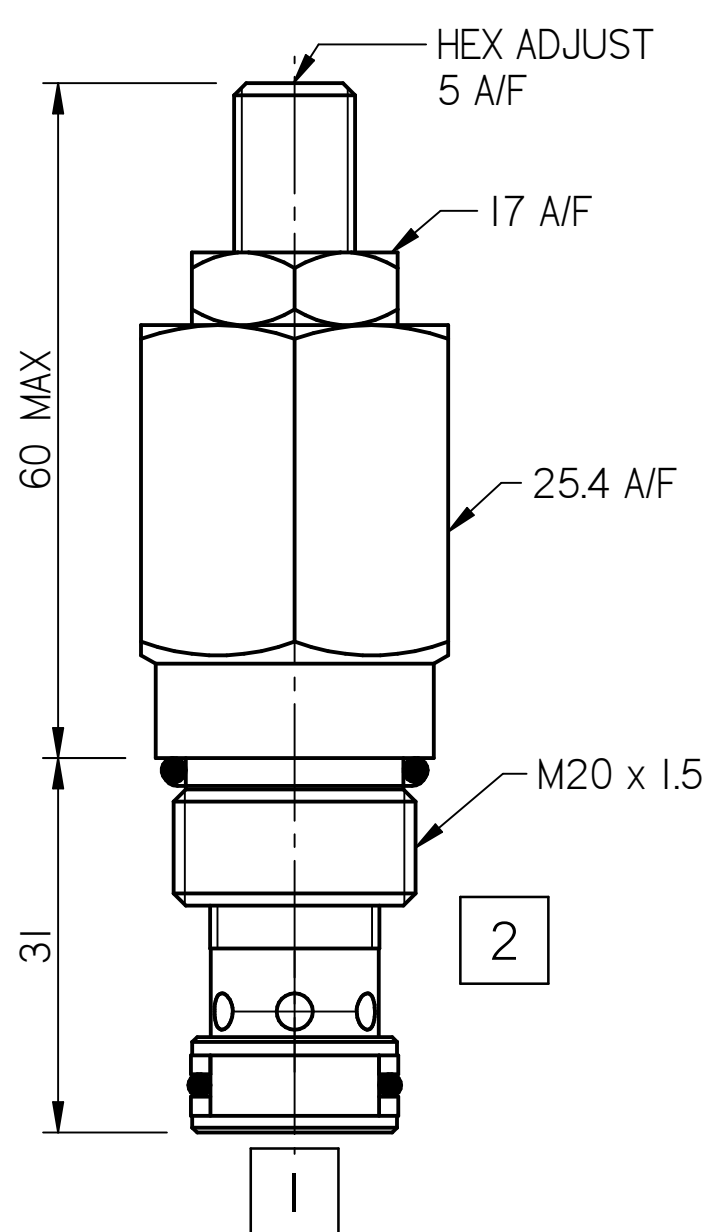
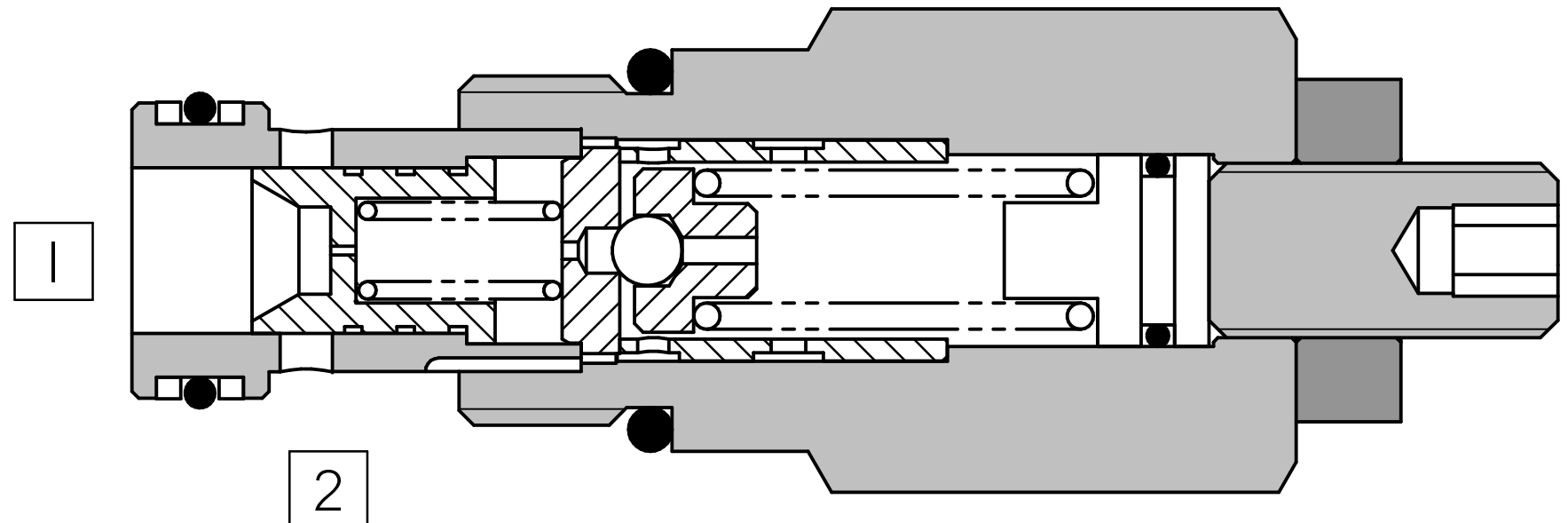
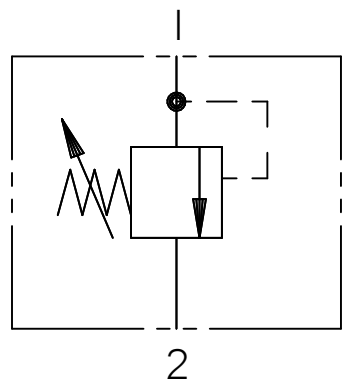


FLUID POWER SYMBOL



Application

Pressure Relief valves are used to limit the pressure in the system as set on the valve. Pilot Operated Relief Valves are applicable more in systems where pressure regulation is needed over pressure safety. The barrel-piston assembly of the valve implies that the valve is not a zero leak valve and cannot be used for load holding applications. The valve is ideal for continuous duty providing accurate pressure control with constant or varying flows.

Operation

When the inlet pressure at 1 (Pressure Port) exceeds the setting of the valve, the ball unseats causing the pilot

section to open. This results in a small flow across the orifice in the main spool. The subsequent pressure drop moves the secondary spool against a light spring opening a ring of radial holes in the sleeve and allowing relief flow to 2 (Tank Port)

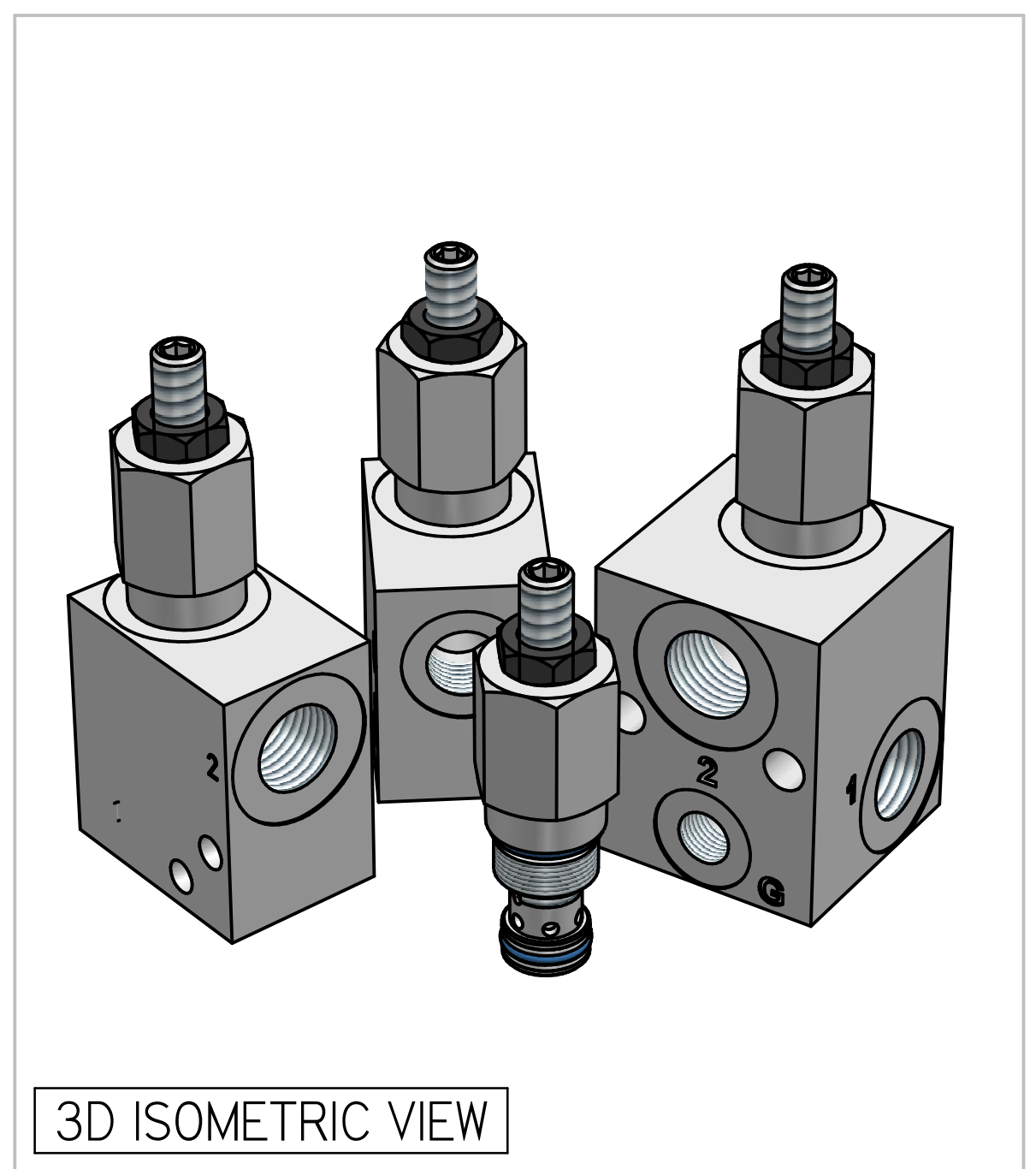
Features

Very low pressure rise for any increase in flow giving accurate pressure control. Smooth operation due to presence of a balanced piston. Hardened working parts ensure a long, reliable, trouble-free life. Cartridge construction gives maximum flexibility in mounting

Specifications

Figures based on: Oil Temp = 40°C Viscosity = 40 cSt

Rated Flow	65 lpm
Max Setting	350 bar
Cartridge Material	Working parts : Hardened, ground steel External surfaces : Zinc plated
Weight (Cartridge only)	AR65: 0.180 kg
Cavity Number	CVA20010 (Refer Cavities Section)
Manifold Material	Aluminium (upto 250 bar) Add Suffix '729' for SG Iron (350 bar)
Torque into Cavity	45 Nm
Mounting	Line
Seal Kit Number	SKAR65 (Nitrile) SKAR65 V (Viton®)
Filtration Level	BS5540/4 Class 18/13 (25µ nominal)
Operating Temp	-20°C to +90°C (Standard Seals)
Leakage	Less than 35 millilitres/min
Viscosity Range	5 to 500 cSt



Where measurements are critical request certified drawings. We reserve the right to change specifications without notice.

TO ORDER

AR65 P 4W 35 N

BASIC CODE
AR65: Cartridge or Std. Body
AR66: Through Port Body

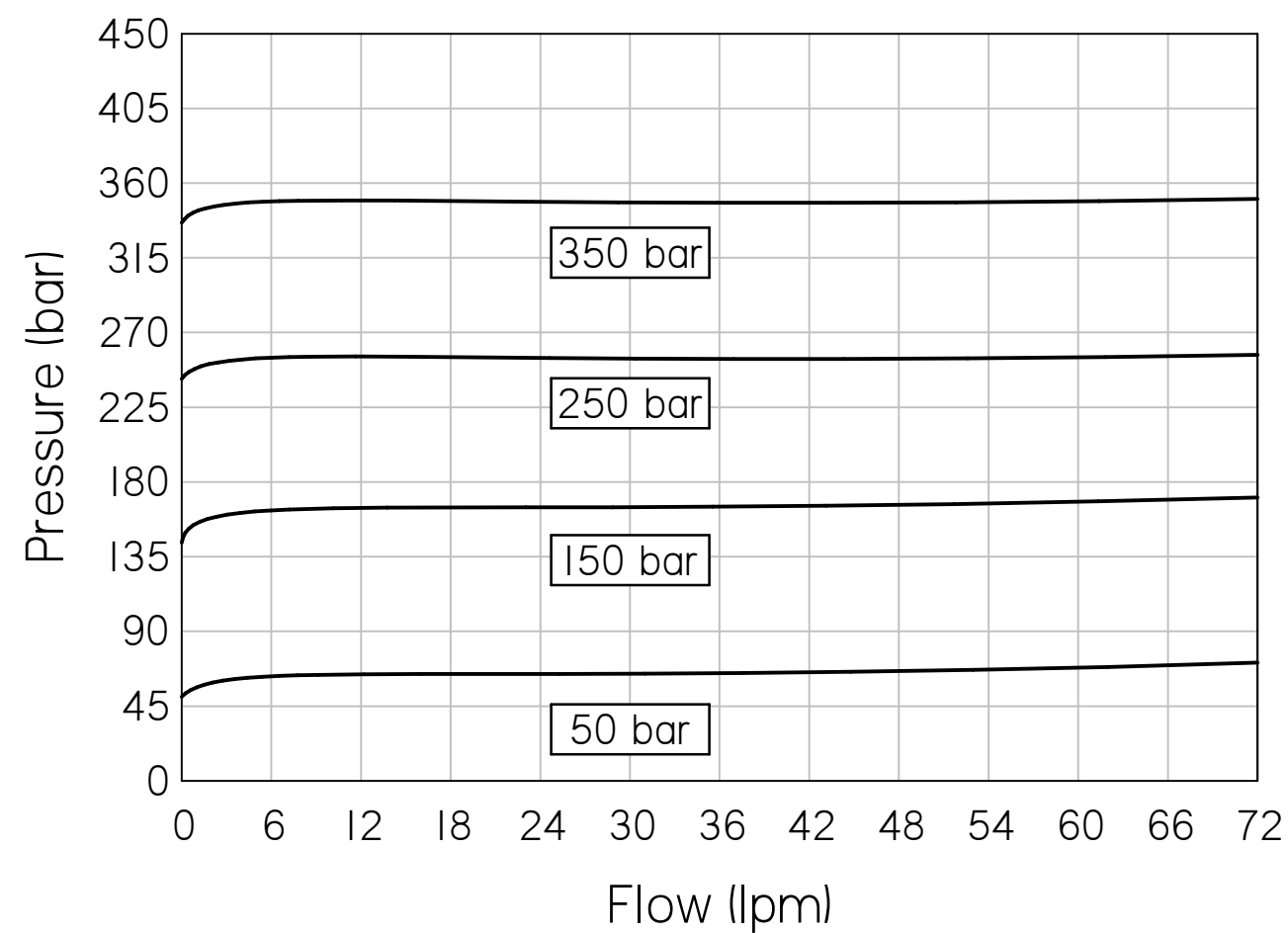
ADJUSTMENT
P: LEAKPROOF SCREW ADJUST

PORT SIZE
3W: 3/8 BSP PORTS
4W: 1/2 BSP PORTS
OMIT FOR CARTRIDGE

SEAL KIT
N: NITRILE
V: VITON

PRESSURE RANGE
10: 10 to 100 bar. Std setting 50 bar.
20: 10 to 210 bar. Std setting 100 bar
35: 50 to 350 bar. Std setting 280 bar

PRESSURE CHARACTERISTICS



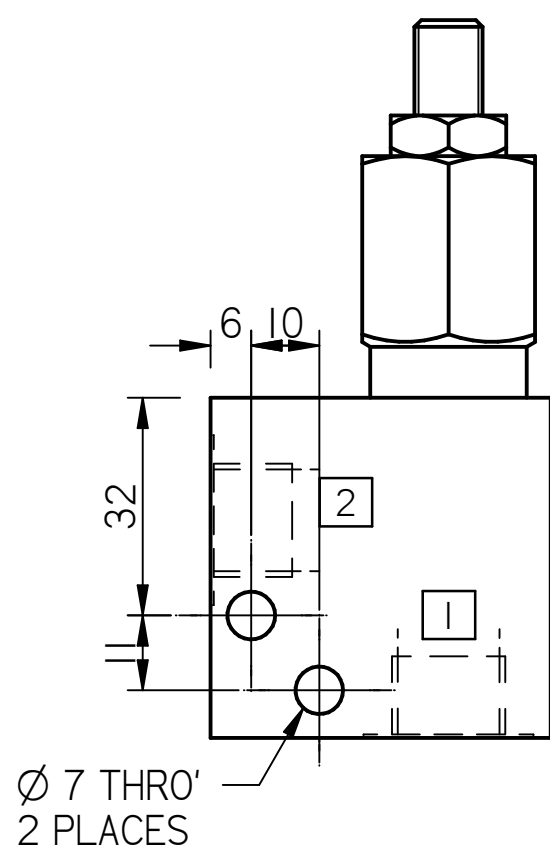
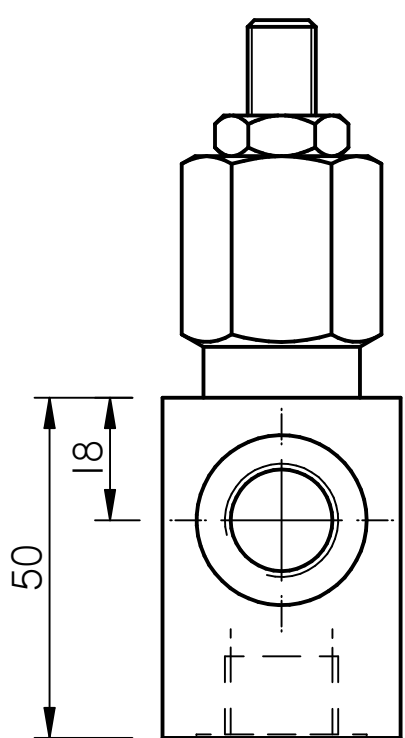
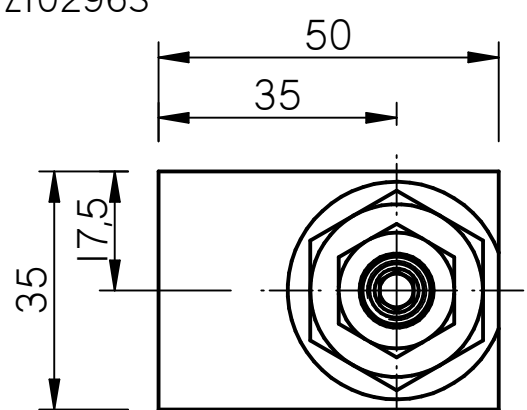
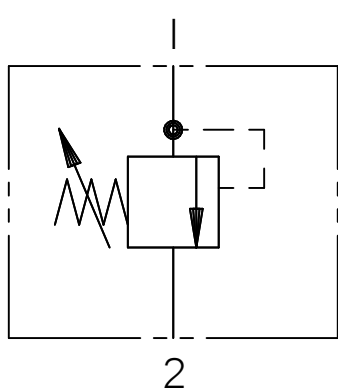
COMPLETE VALVE

3/8" 1/2" BSP PORTS

BASIC CODE: AR65 3W

ONLY Body Part Numbers (BSP)

Aluminium		SG Iron	
3/8"	Z10202	3/8"	Z10202S
1/2"	Z10296	1/2"	Z10296S



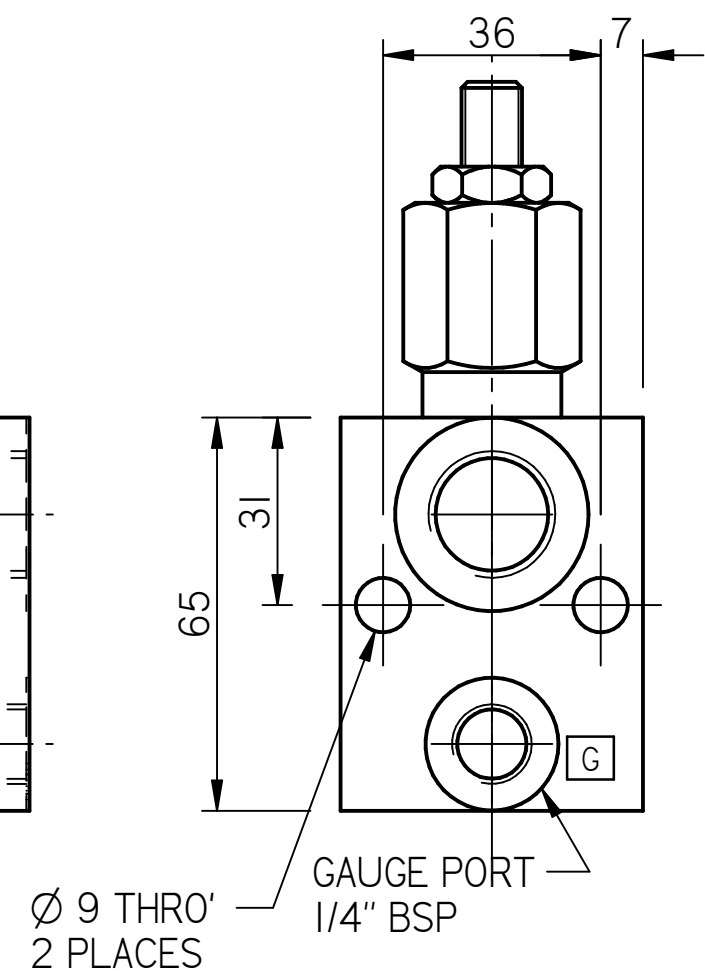
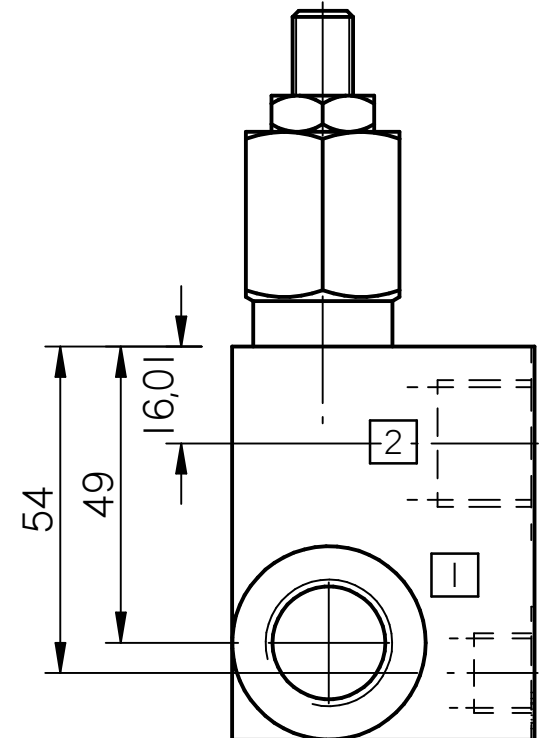
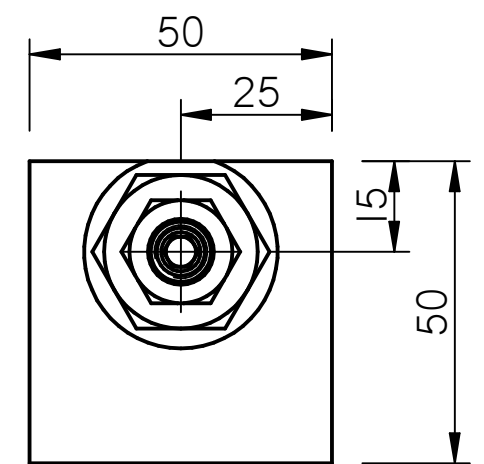
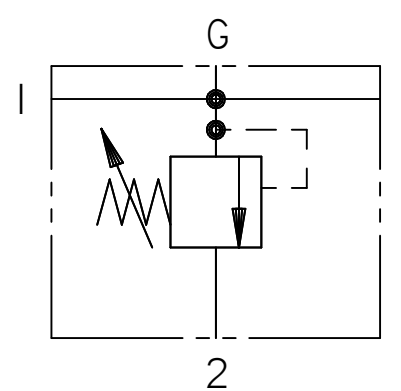
COMPLETE VALVE

1/2" BSP PORTS

BASIC CODE: AR66 4W

ONLY Body Part Numbers (BSP)

Aluminium		SG Iron	
1/2"	Z10243	1/2"	Z10243S



Where measurements are critical request certified drawings. We reserve the right to change specifications without notice.